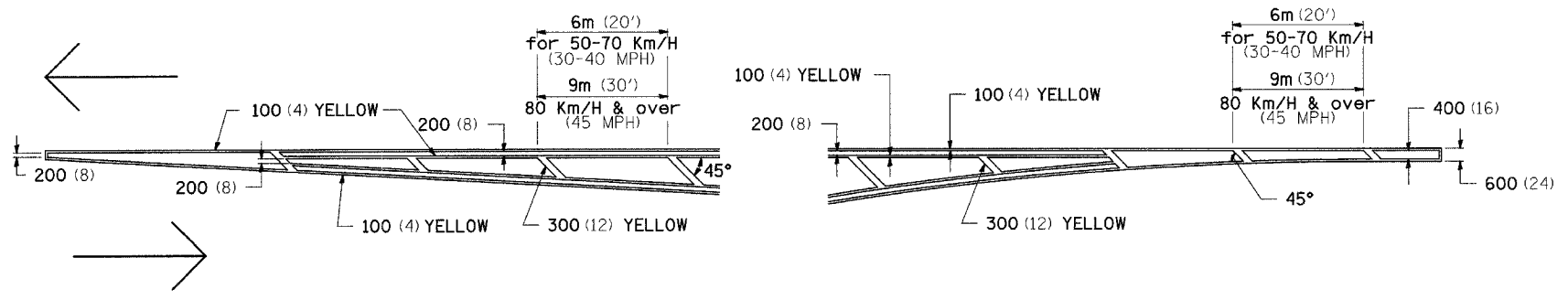


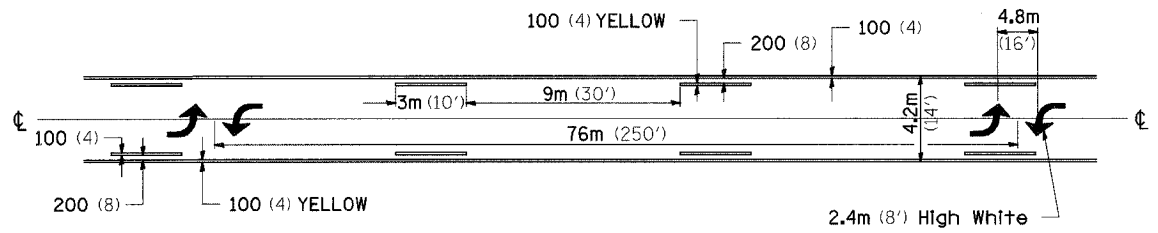
F.A.P. RTE.	SECTION	COUNTY	TOTAL SHEETS	SHEET NO.
552	120T-2	OGLE	59	41
STA.	TO STA.			
FED. ROAD DIST. NO.	ILLINOIS	FED. AID PROJECT		

TYPICAL PAVEMENT MARKINGS

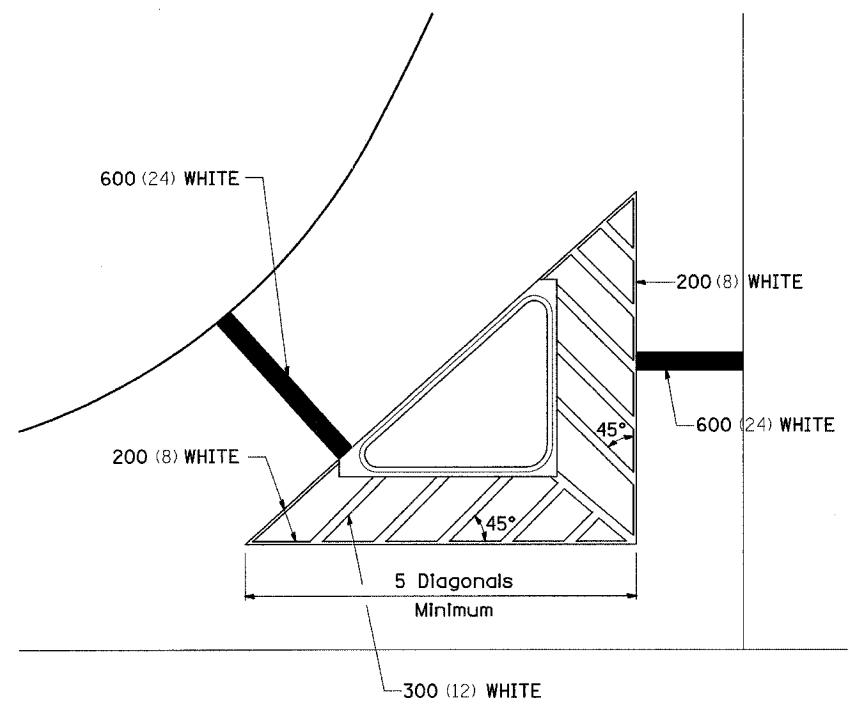
TYPICAL PAVEMENT MARKING FOR FLUSH MEDIAN AT LEFT TURN LANE



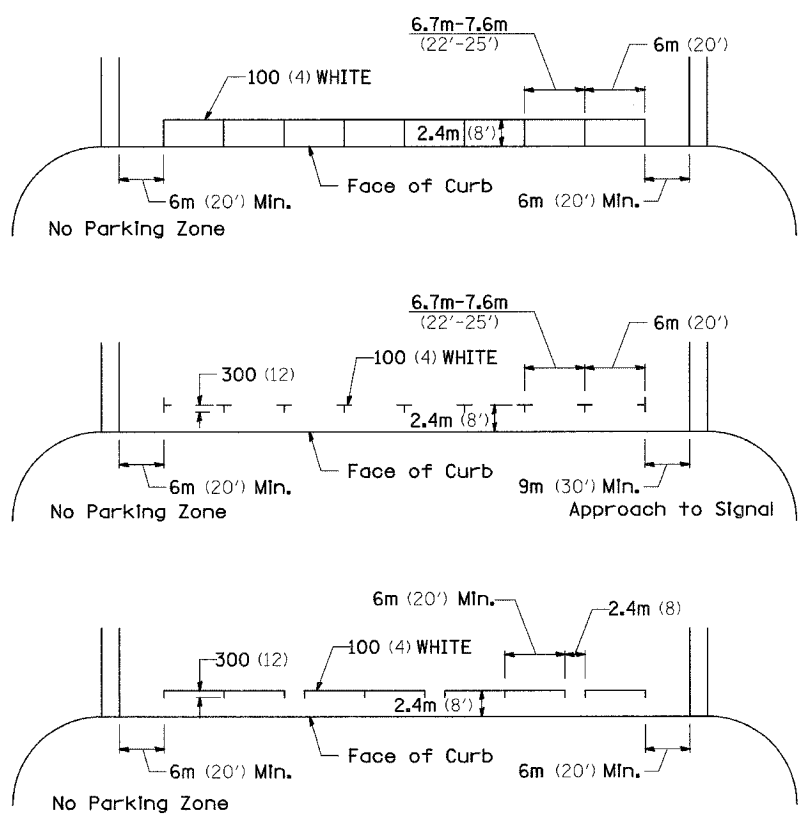
MEDIAN PAVEMENT MARKING



TYPICAL ISLAND OFFSET SHOULDER WIDTH



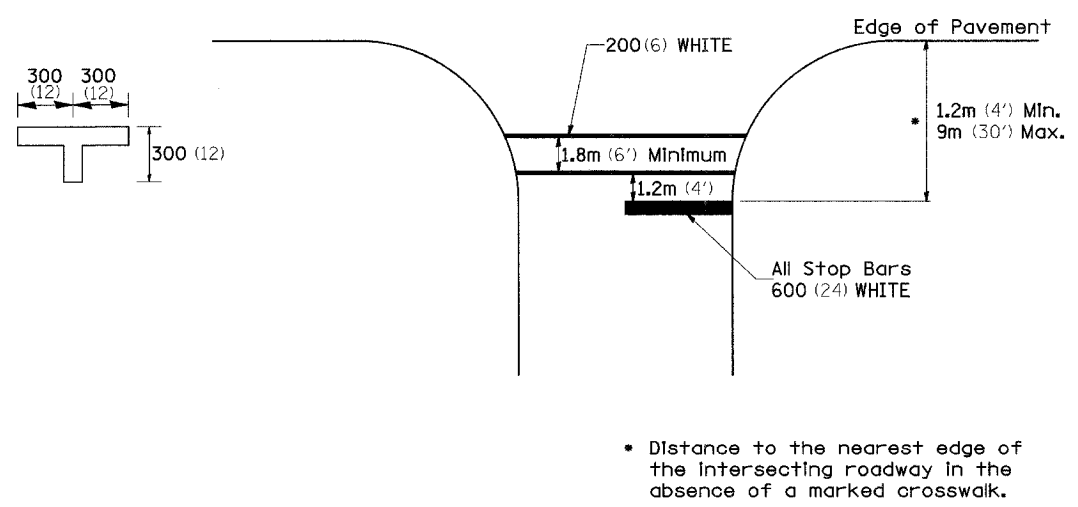
TYPICAL PARKING SPACING



** ALL DIMENSIONS ARE IN MILLIMETERS (INCHES) UNLESS OTHERWISE NOTED.

STANDARD CROSSWALK MARKING

See Schedules for Locations



• Distance to the nearest edge of the intersecting roadway in the absence of a marked crosswalk.

PLOT DATE = Wed Jul 26 09:36:27 2006
 FILE NAME = m:\projects\2006\120T-2\120T-2.dwg
 PLOT SCALE = 50.000000 / IN.
 REFERENCE = *REF*