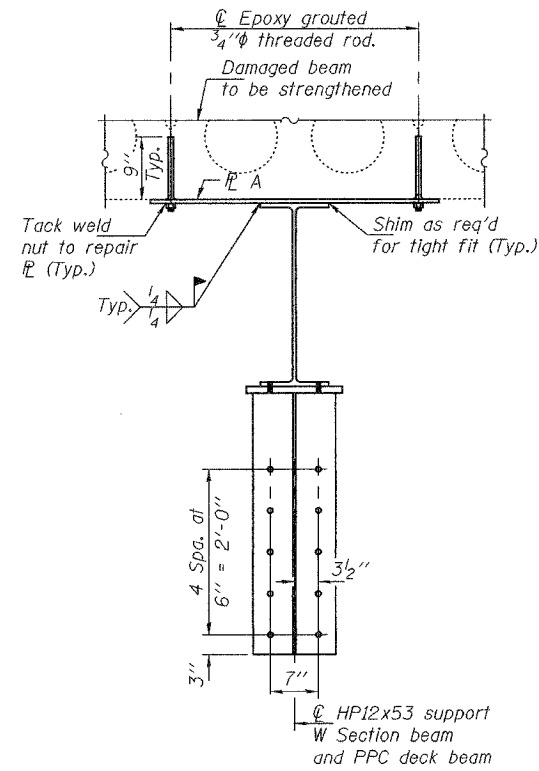


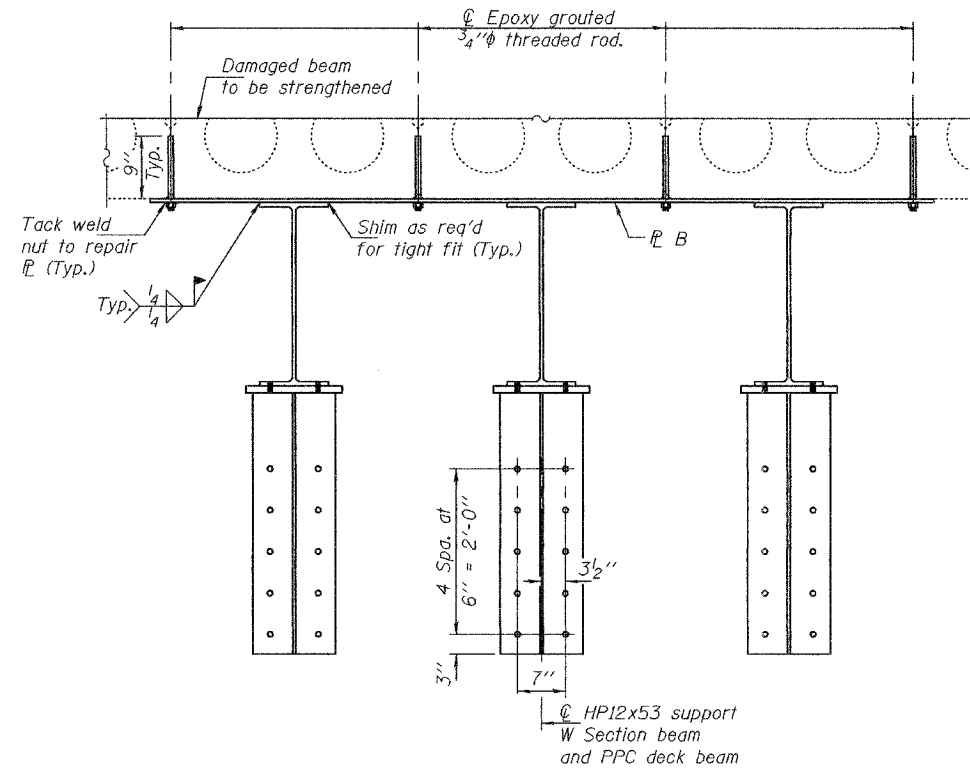
STATE OF ILLINOIS
DEPARTMENT OF TRANSPORTATION

ROUTE NO.	SECTION	COUNTY	TOTAL SHEETS	SHEET NO.	SHEET NO. 2 2 SHEETS
308	*	JO DAVIESS	13	6	
FED. ROAD DIST. NO. 7		ILLINOIS		FED. AID PROJECT-	

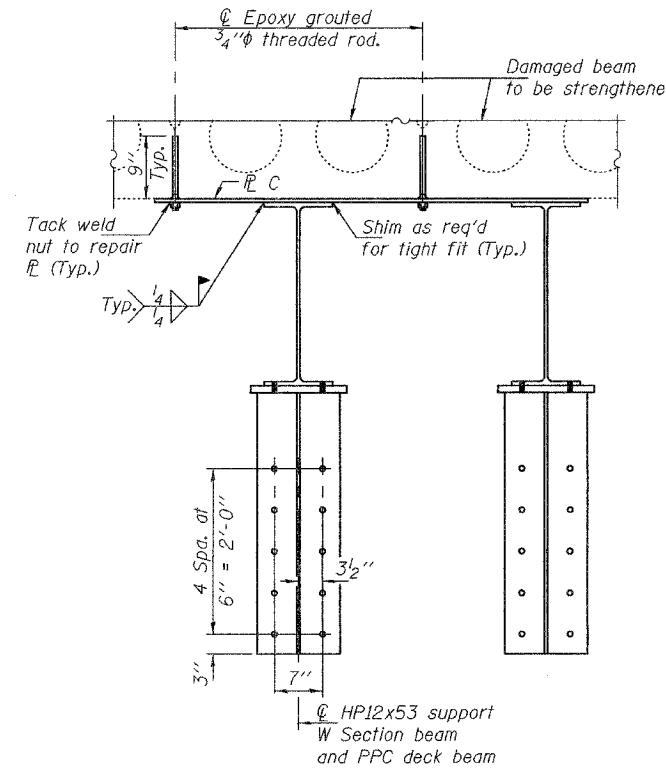
Contract Number: 64D87



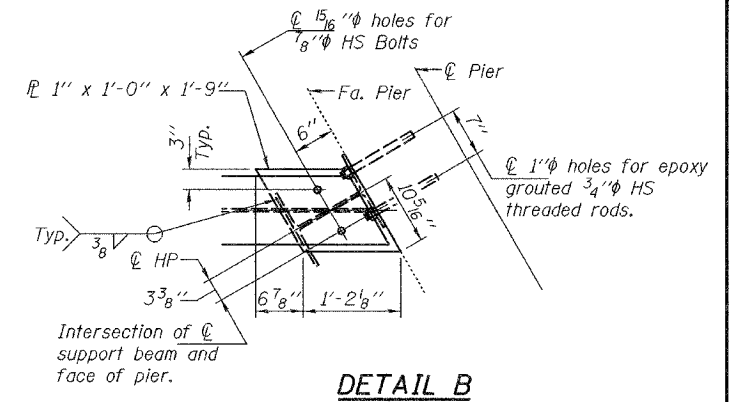
SECTION A-A



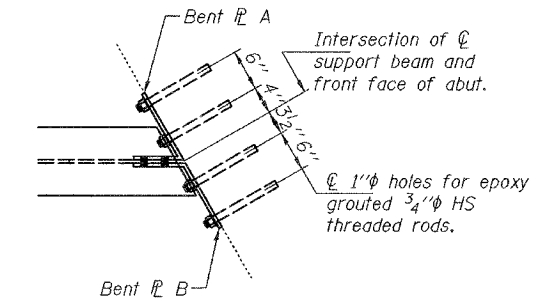
SECTION B-B



SECTION C-C

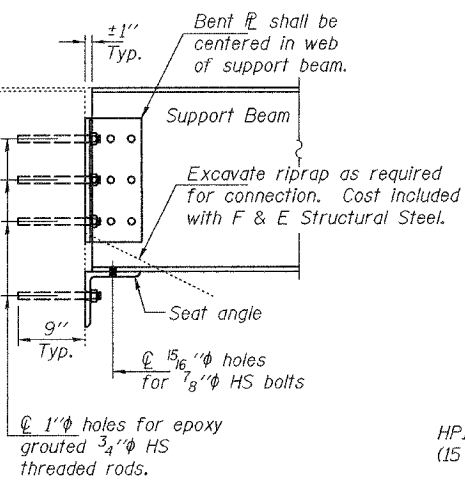


DETAIL B

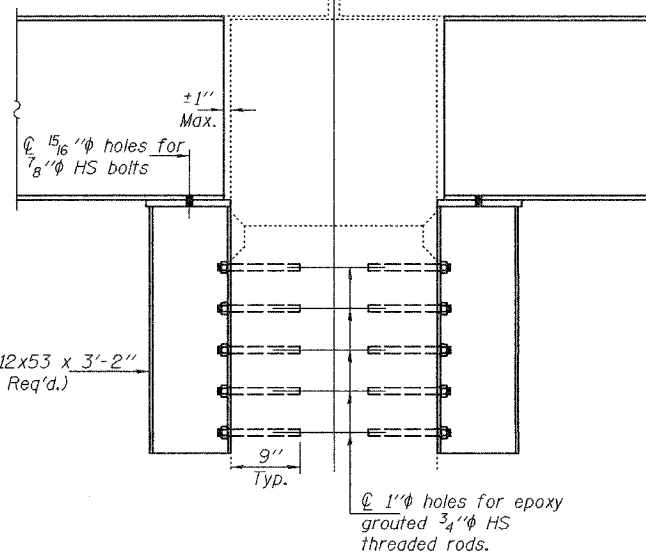


DETAIL A

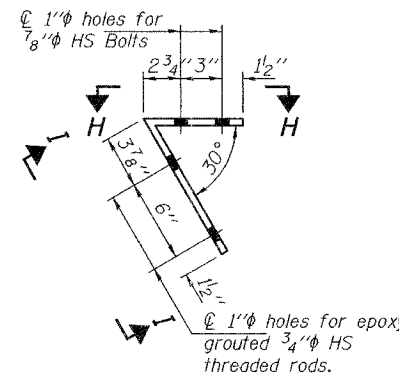
L 8 x 8 x 3/4 not shown for clarity



SECTION D-D

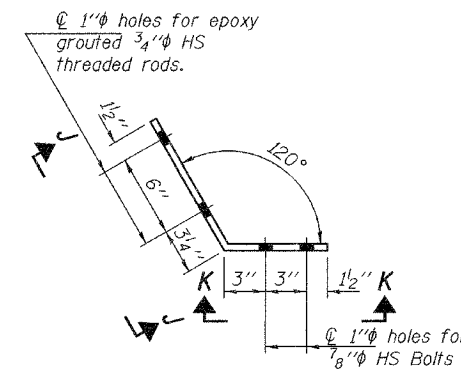


SECTION E-E



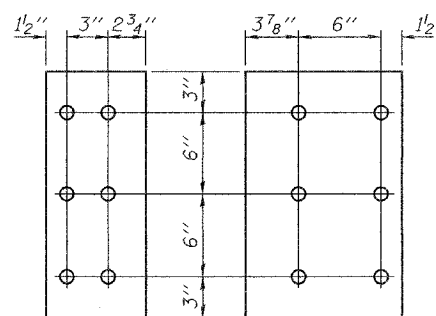
BENT PLATE A

L 1/2" x 1'-6" x 1'-6 5/8" (7 Req'd)

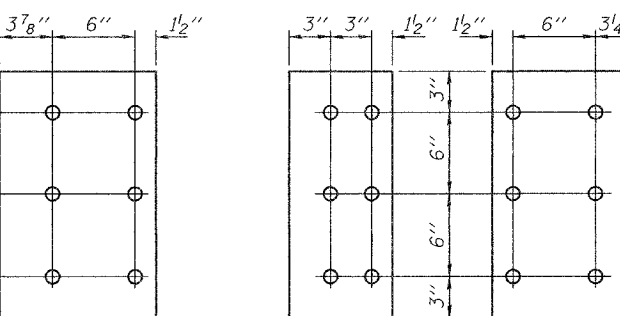


BENT PLATE B

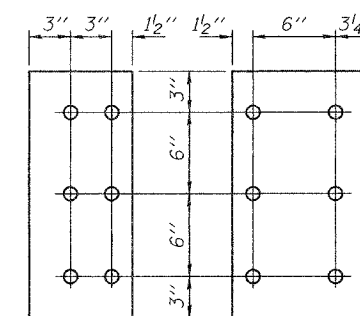
L 1/2" x 1'-6" x 1'-6 1/4" (7 Req'd)



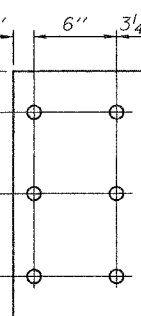
VIEW H-H



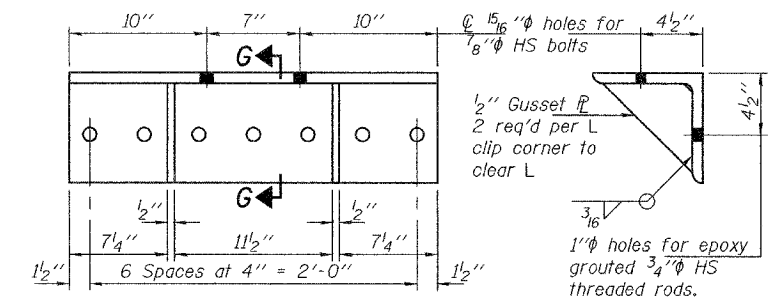
VIEW I-I



VIEW K-K



VIEW J-J



SEAT ANGLE

L 8x8x3/4 x 2'-3" (7 Req'd)

SECTION G-G

DESIGNED	SJB
CHECKED	VHV
DRAWN	baliva
CHECKED	SJB VHV

SEPTEMBER 10, 2007
EXAMINED *Carl Poyry*
REPAIR PLANS UNIT CHIEF
PASSED *Ralph E. Anderson*
ENGINEER OF BRIDGES AND STRUCTURES

REPAIR DETAILS
FA 18 OVER
TRIBUTARY TO APPLE RIVER
JO DAVIESS COUNTY
SN 043-0038