

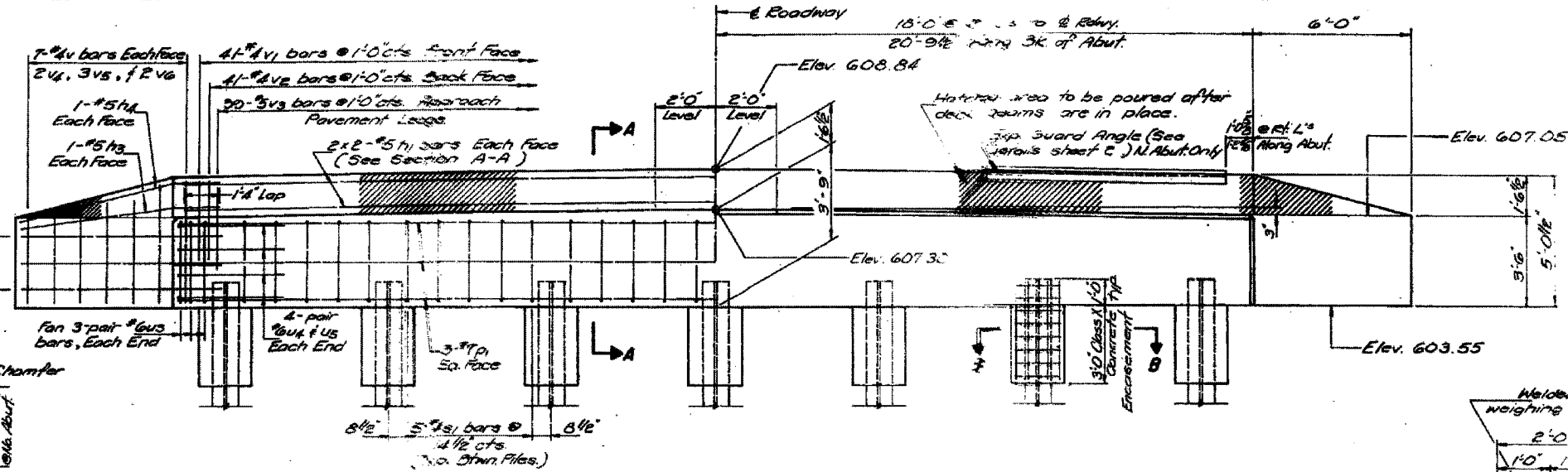
ROUTE NO.	SECTION	COUNTY	TOTAL SHEETS
306	1	JO DAVISS	13
PROJECT		SHEET NO.	
JO DAVISS		7 OF 7	

SHEET 7 OF 7

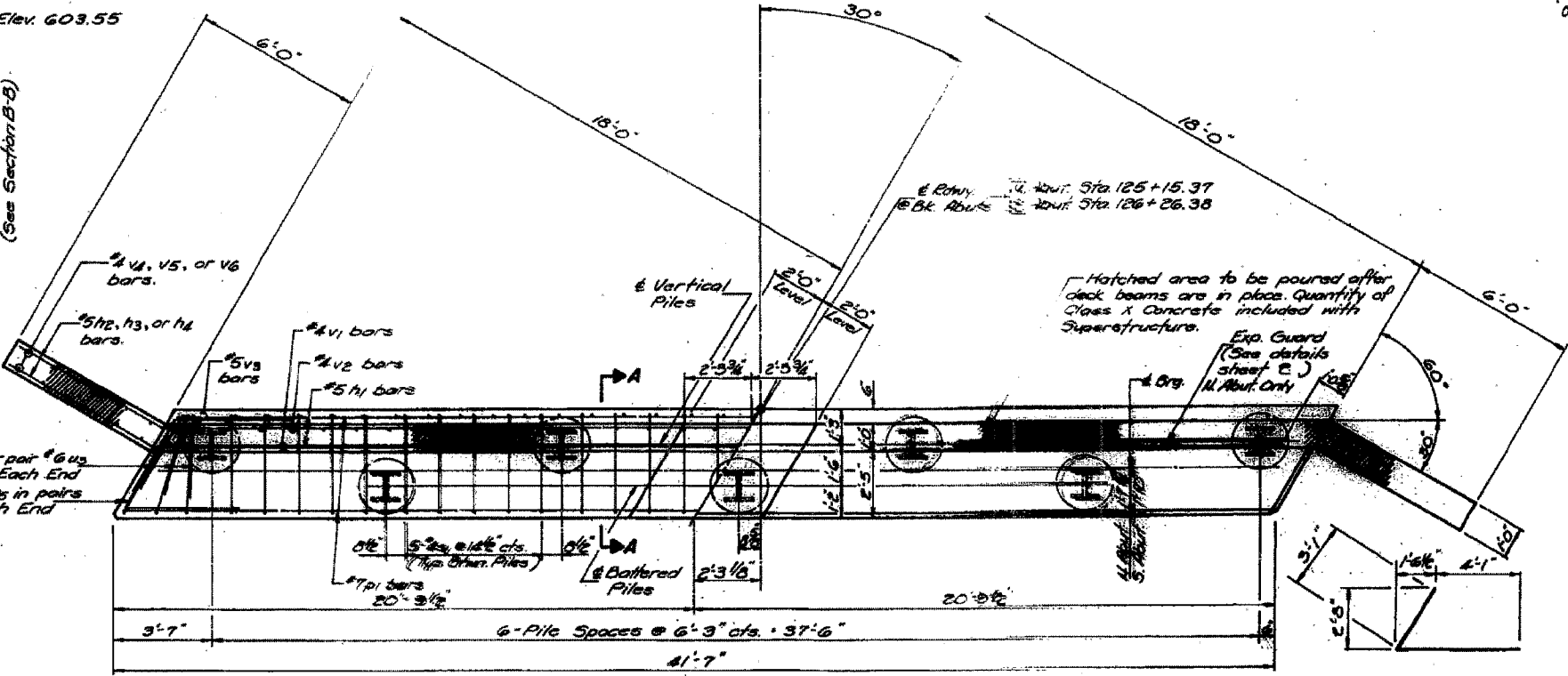
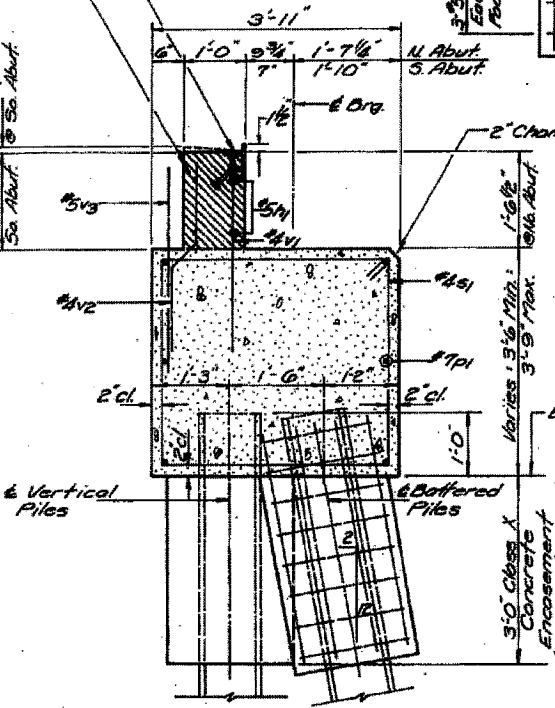
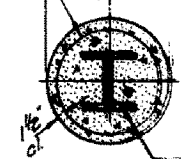
Note:
 Bend #2, #3, & #4 bars in field.
 Bar #3 shall conform to the requirements of A.A.S.H.T.O. M-31 or M-53, Grade 40.

Hatched area to be poured after deck beams are in place. Quantity of Class X Concrete included with Superstructure.

Expansion Guard Angle North Abut. Only (See details sheet C.)



Welded wire fabric 6x6-WA0xWA0 weighing 55 #/100 Sq. Ft. The cost of class X concrete encasement is incidental to the cost of furnishing piles. Forms for encasement may be omitted when soil conditions will permit.

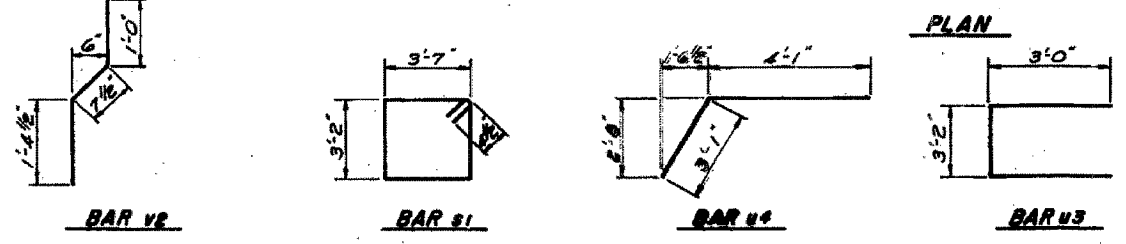


Note:
 Bars indicated thus 2x2-#5 etc. indicates 2 lines of bars with 2 lengths per line.

NORTH & SOUTH ABUTS.

Bar No.	Size	Length	Shape
#1	1/2"	21 3/4"	—
#2	3/4"	7 1/2"	—
#3	1"	7'-9"	—
#4	1 1/4"	6'-3"	—
#5	1 1/2"	41'-3"	—
#6	2"	14'-3"	□
#7	2 1/2"	5'-2"	—
#8	1 3/4"	7'-2"	—
#9	1 1/2"	7'-2"	—
#10	2"	3'-0"	—
#11	2 1/2"	3'-0"	—
#12	2"	3'-0"	—
#13	2 1/2"	2'-0"	—
#14	2"	3'-0"	—
#15	2 1/2"	2'-0"	—
#16	2"	3'-0"	—
Class X Concrete C.Y. 471			
Reinforcing Bars Lbs. 3,300			
Steel Piles 4x4x33 L.F. 400			
Welded Wire Fabric L.F. 7			

DESIGNED:	V.S.N.
CHECKED:	D.H.C.
DRAWN:	RA.W.
CHECKED:	K.L.F.



PILE DATA	N. Abut.		S. Abut.
	SH HP 12x53	SH HP 12x53	SH HP 12x53
Estimated Length	41 Ft	34 Ft	
Capacity	Refusal	Refusal	
Number	6	7	
Test Pile	1		

NORTH & SOUTH ABUTMENTS
 F.A. & S. Abut. TO APPLE RIVER
 SECTION 104-B
 JO DAVISS COUNTY
 STATION 125+71.00