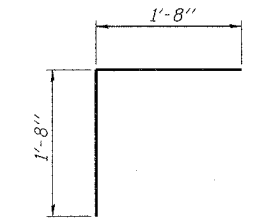
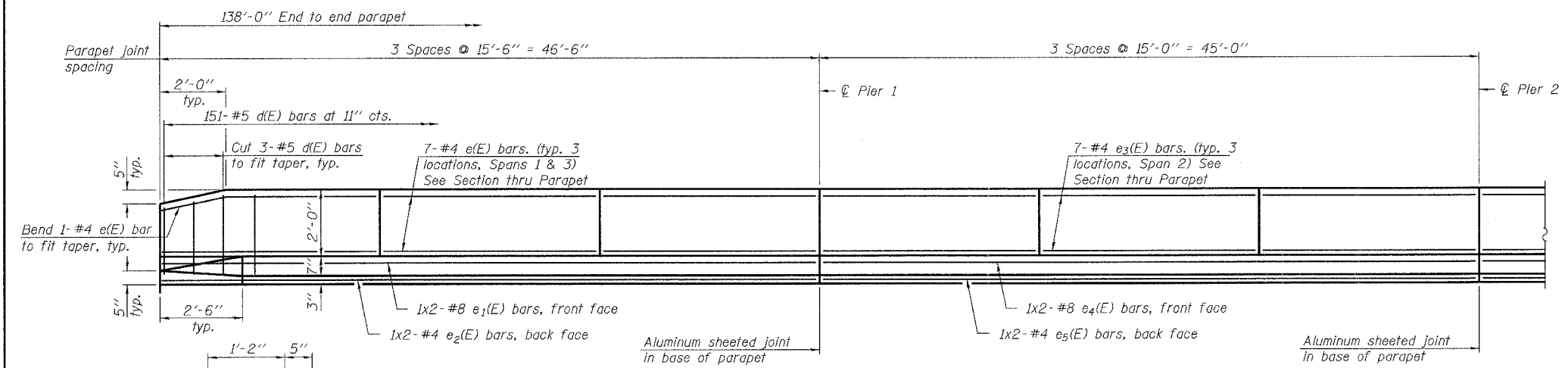


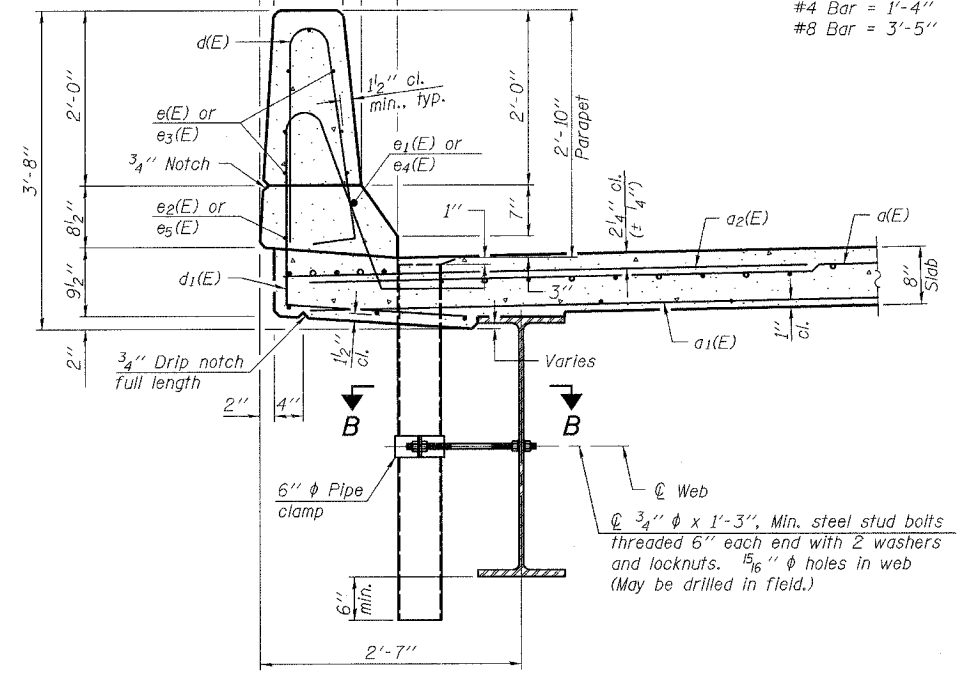
Contract #66612



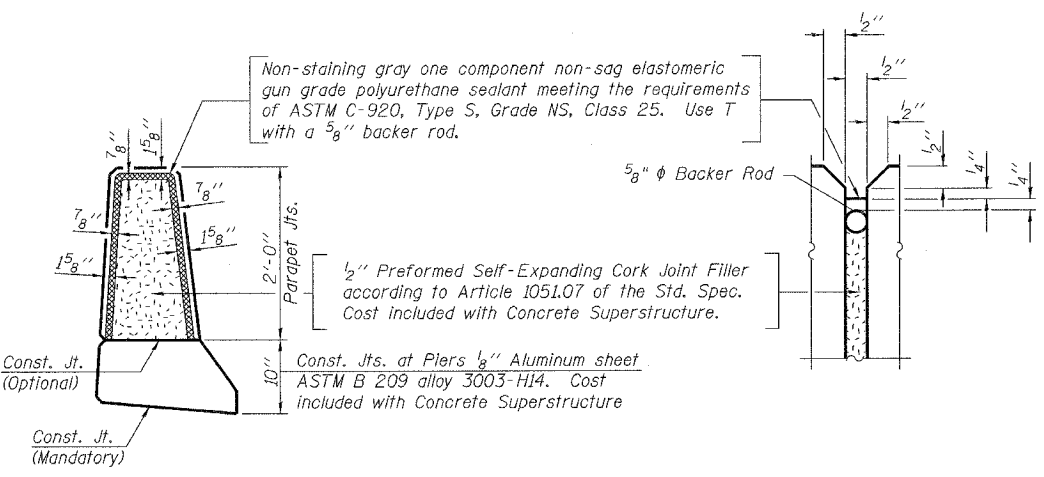
BAR v(E)

BAR LAPS
#4 Bar = 1'-4"
#8 Bar = 3'-5"

INSIDE ELEVATION OF PARAPET

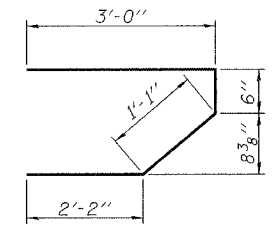


SECTION THRU PARAPET

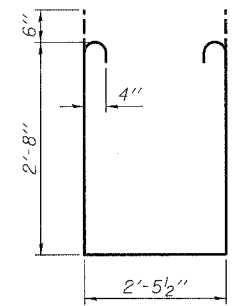


PARAPET JOINT DETAILS

Notes:
Fiberglass pipe shall conform to ASTM D 2996, with short-time rupture strength hoop tensile stress of 30,000 p.s.i. minimum.
Floor drains need not be painted.



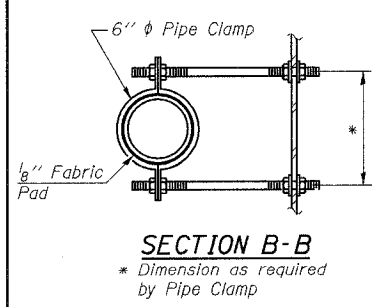
BAR s(E)



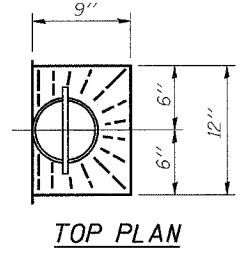
BAR s1(E)

SUPERSTRUCTURE BILL OF MATERIAL

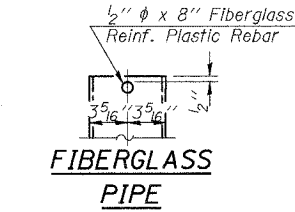
Bar	No.	Size	Length	Shape
d(E)	368	#5	17'-2"	—
a1(E)	332	#5	16'-10"	—
a2(E)	184	#6	6'-0"	—
a3(E)	8	#5	19'-5"	—
b(E)	190	#5	29'-4"	—
b1(E)	70	#6	29'-7"	—
b2(E)	216	#6	24'-10"	—
d(E)	302	#5	5'-7"	—
d1(E)	302	#5	7'-4"	—
e(E)	84	#4	15'-3"	—
e1(E)	4	#8	24'-10"	—
e2(E)	4	#4	23'-9"	—
e3(E)	42	#4	14'-9"	—
e4(E)	2	#8	24'-1"	—
e5(E)	2	#4	23'-0"	—
m(E)	8	#6	18'-7"	—
m1(E)	12	#6	19'-8"	—
m2(E)	24	#6	8'-5"	—
m3(E)	8	#6	6'-5"	—
m4(E)	4	#6	2'-6"	—
m5(E)	4	#6	3'-0"	—
s(E)	72	#5	6'-9"	—
s1(E)	64	#4	8'-10"	—
v(E)	68	#5	3'-4"	—
Reinforcement Bars, Epoxy Coated		Pound		36,700
Concrete Superstructure		Cu. Yds.		176.5
Bar Splicers		Each		434



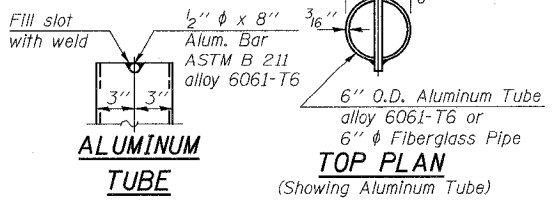
SECTION B-B
* Dimension as required by Pipe Clamp



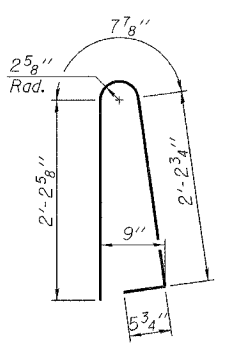
TOP PLAN



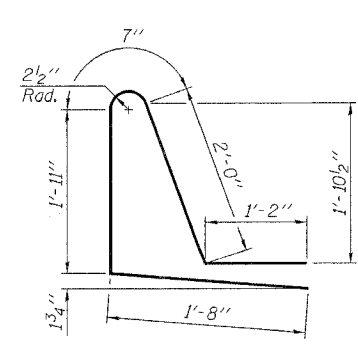
FIBERGLASS PIPE



ALUMINUM TUBE



BAR d(E)



BAR d1(E)

rjngroup
Excellence through Ownership
200 West Front Street
Wheaton, IL 60187

ILLINOIS DEPARTMENT OF TRANSPORTATION

SUPERSTRUCTURE DETAILS
IL RT. 49 OVER PIGEON CREEK
FAP RTE 840 - SECTION 123 BR-2
IROQUOIS COUNTY
STATION 284+75.00
STRUCTURE NO. 038-0217

DATE: 8/7/2007

DRAWN BY LCM
CHECKED BY WJV