

ROUTE NO.	SECTION	COUNTY	TOTAL SHEETS	SHEET NO.
FAP 840	123BR-2	IROQUOIS	67	35
FED. ROAD DIST. NO. 7	SLINGER	FED. AID PROJECT		

SHEET NO. 18

20 SHEETS

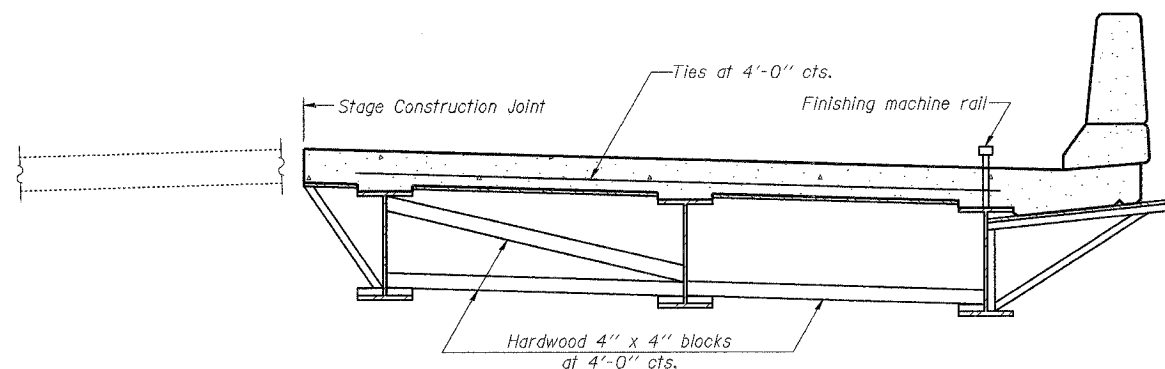
Contract #66612

When cantilever forming brackets are used, the work shall be done according to Article 503.06(b) of the Standard Specifications, except as modified below and in the details shown on this sheet.

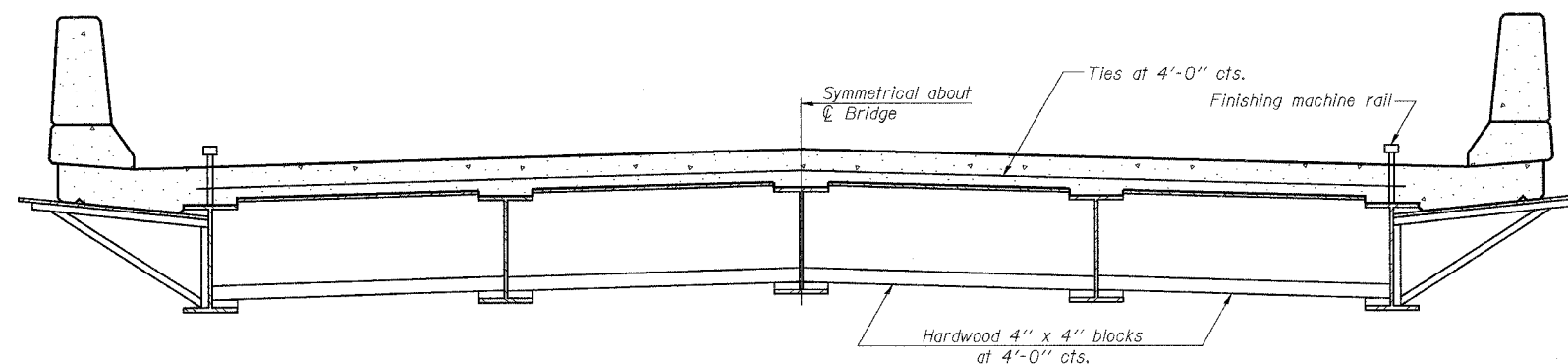
The finishing machine rails shall be placed on the top flange of the exterior beams.

The beams or girders, supporting cantilever forming brackets, shall be tied together at 4 foot intervals.


For Standard construction, or Stage Construction the Hardwood bracing materials shall be placed as shown between webs of beams in each bay.



**FORM BRACES FOR
STAGE CONSTRUCTION**



**FORM BRACES FOR
STANDARD CONSTRUCTION**

 Excellence through Ownership 200 West Front Street Wheaton, IL 60187	ILLINOIS DEPARTMENT OF TRANSPORTATION CANTILEVER FORMING BRACKETS IL RT. 49 OVER PIGEON CREEK FAP RTE 840 - SECTION 123 BR-2 IROQUOIS COUNTY STATION 284+75.00 STRUCTURE NO. 038-0217
	DATE: 8/7/2007 DRAWN BY: JMT CHECKED BY: WJV

SB-1

11-1-06