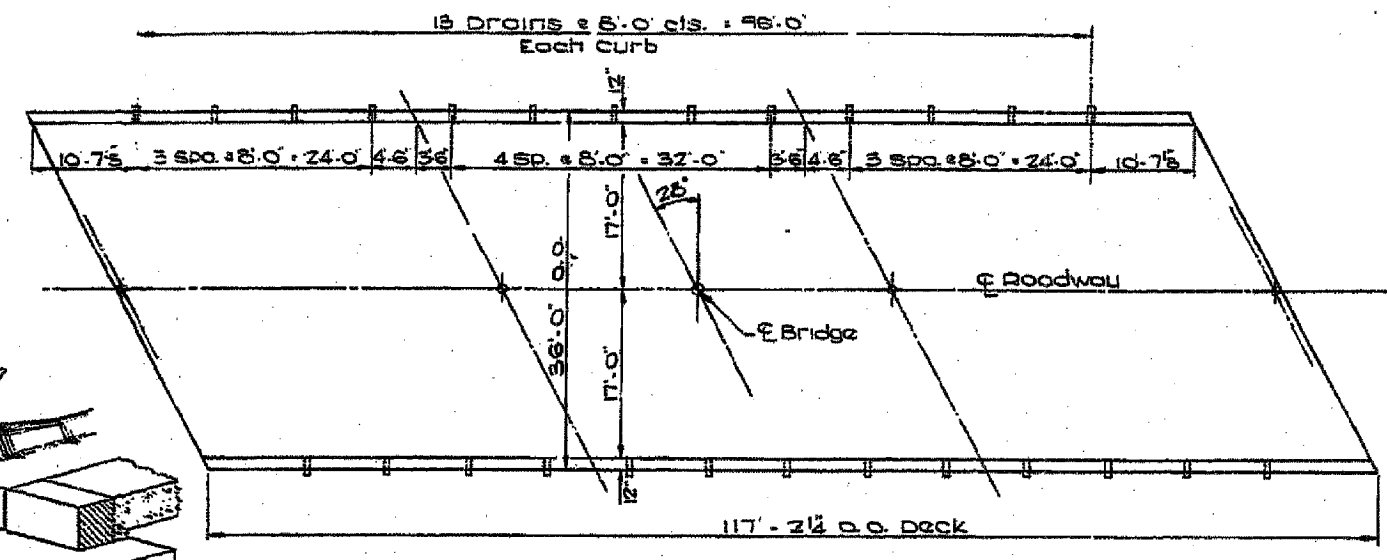
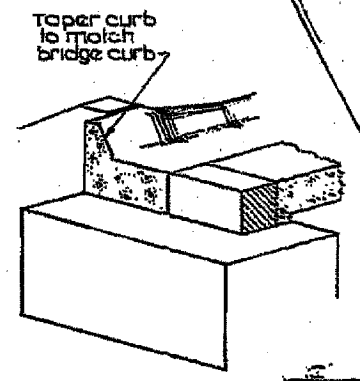


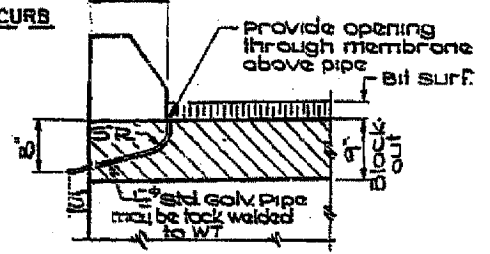
123 BR-1	22	13
800 IROQUOIS		



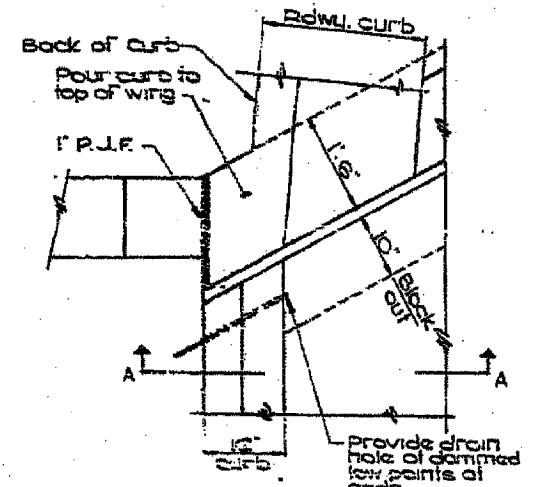
PLAN - DECK
SHOWING DRAIN SPACING



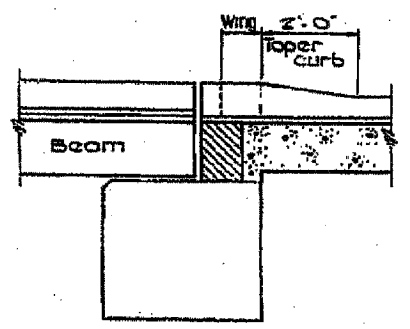
VIEW AT END OF CURB



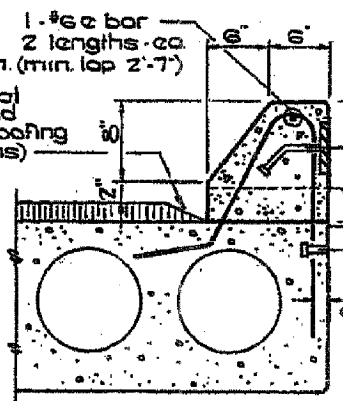
SECTION A-A



PLAN VIEW AT END OF DECK



SECTION AT END OF DECK



SECTION THRU CURB

curbs shall be poured in the field

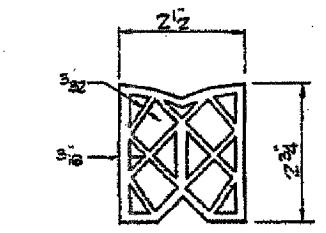
NOTE
All edges shall have 3/4 chamfers.

1. #6 bar 2 lengths - ca. 6' 6' (min. lap 2'-7')

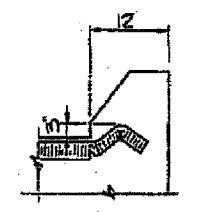
Slope Bit. 2:1 of drains (Extend deck waterproofing 2" inside drains)

Salv. Drain

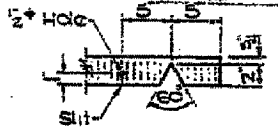
Roll Post Anchor Device See Sheet 4



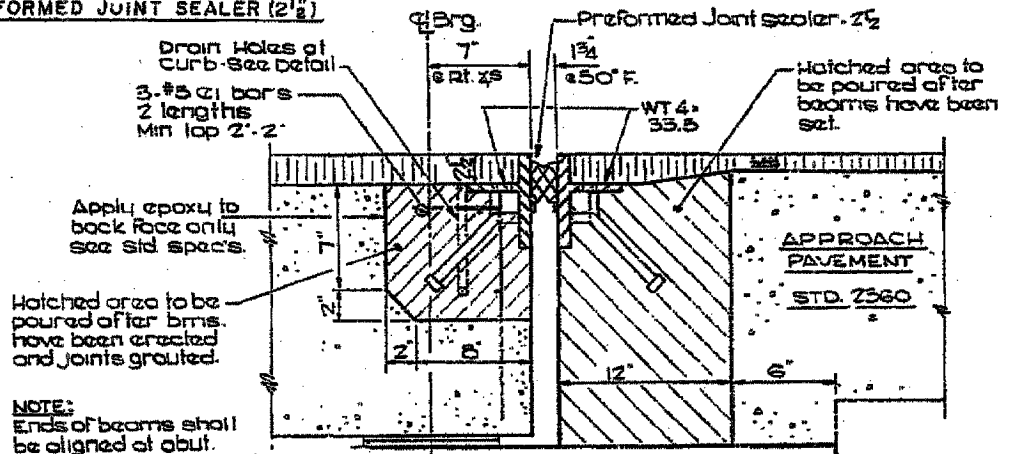
PREFORMED JOINT SEALER (2 1/2)



END TREATMENT

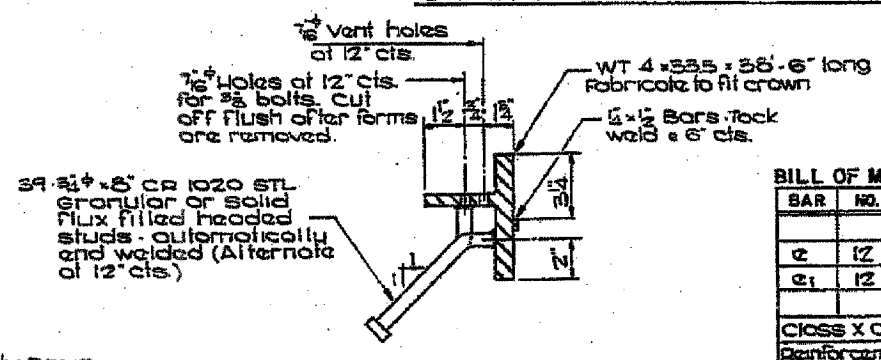


SEALER CUT-OUT

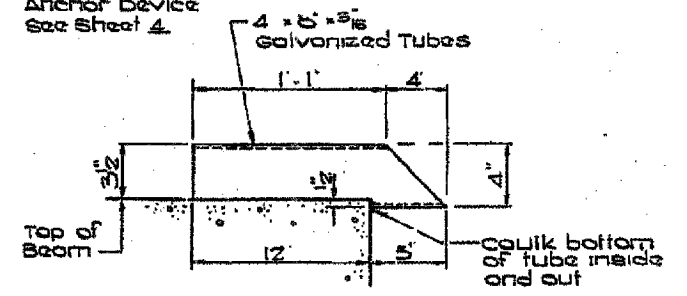


NOTE:
Ends of beams shall be aligned at abut. ends. Longitudinal variation in beam lengths shall be placed at pier joints.

EXPANSION JOINT DETAIL AT ABUTS.



DETAIL - ARMOR DEVICE



DRAIN DETAIL

COST INCIDENTAL

BILL OF MATERIAL

BAR NO.	SIZE	LENGTH	SHAPE	
c2	12	#6	20'-8"	
c1	12	#5	21'-4"	
Class X Concrete cu Yds				4.5
Reinforcement Bars Lbs				640
Preformed Joint Sealer 2 1/2 LE				80
Waterproofing Membrane System sq Yds				445
Protective Coat sq Yds				38
Structural Steel Lbs				5350
Bituminous concrete Surface Course, Cl. I Tons				44
Portland Cement Mortar Paving Course Lin. Ft.				936
Name Plates Each				1

EXPANSION JOINT & CURB DETAILS
SECTION 123 BR-1
F.A. ROUTE 840
IROQUOIS COUNTY