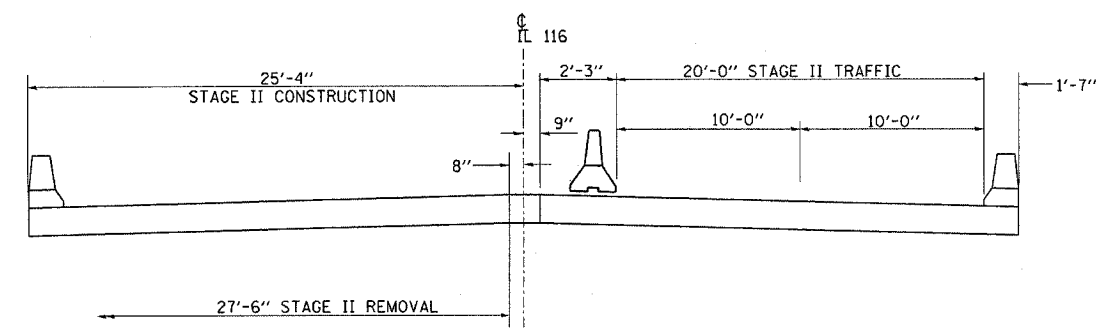
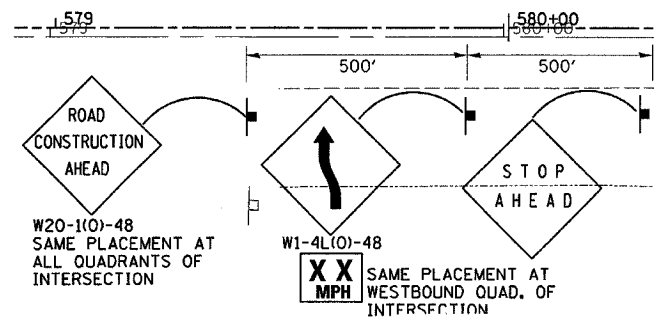
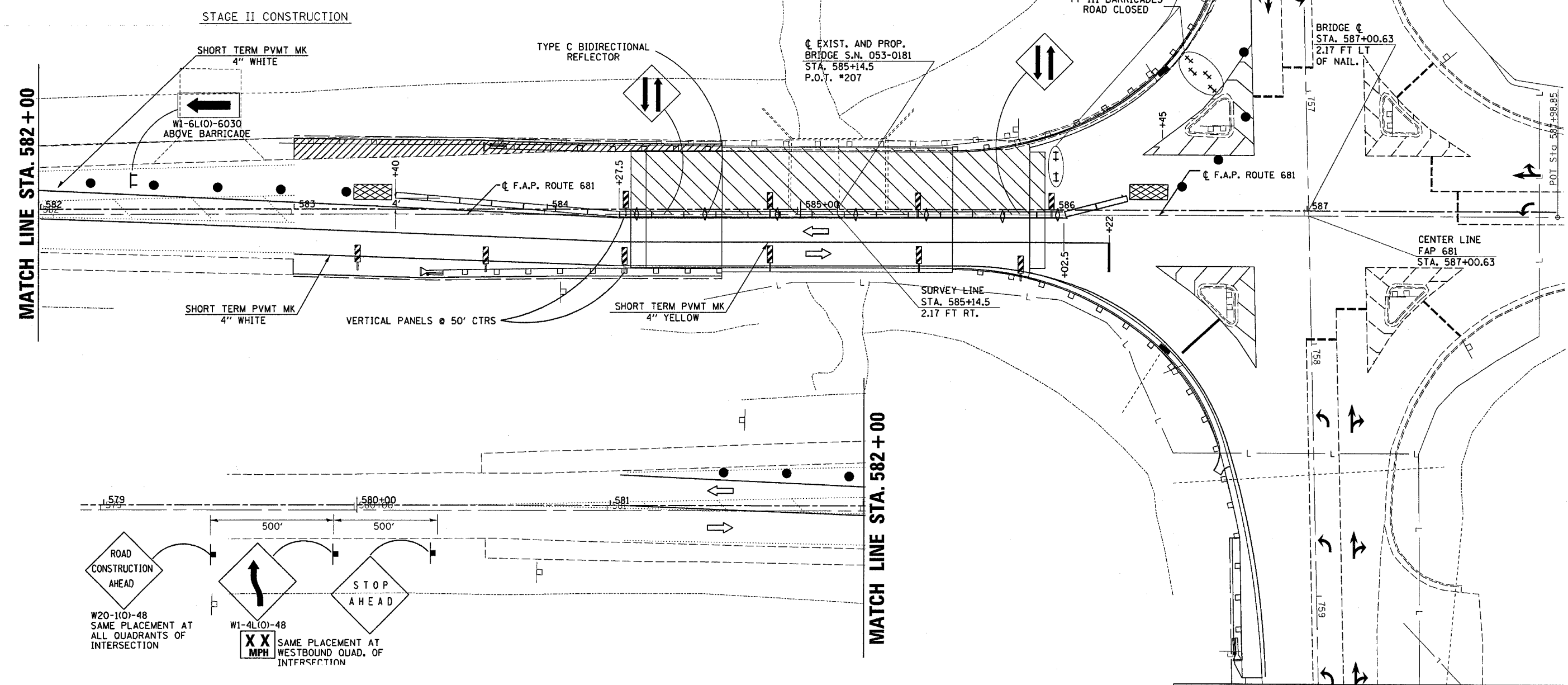


F.A. RTE.	SECTION	COUNTY	TOTAL SHEETS	SHEET NO.
681	114 BR	LIVINGSTON	43	15
STA.		TO STA.		
FED. ROAD DIST. NO.		ILLINOIS FED. AID PROJECT		



TYPE C BIDIRECTIONAL REFLECTOR
 IMPACT ATTENUATOR
 DRUM WITH STEADY BURNING LIGHT
 TEMPORARY BARRIER WALL
 WORK ZONE
 DIRECTION OF TRAFFIC
 PROPOSED SHOULDER, GUARDRAIL STABILIZATION AND BASE COURSE WIDENING



STAGE II

1. RELOCATE BARRIERS AND ATTENUATORS AND RESTRIPE FOR STAGE II.
2. REMOVE WESTBOUND STRUCTURE, PAV'T AND STAGE I TEMPORARY STRIPING.
3. CONSTRUCT STRUCTURE AND APPROACHES.
4. CONSTRUCT SHOULDERS, STABILIZATION, RADIUS WIDENING, CURB AND GUTTER AND INSTALL GUARDRAIL

REVISIONS	
NAME	DATE

ILLINOIS DEPARTMENT OF TRANSPORTATION

TWO WAY TRAFFIC STAGE II PLAN

SCALE: VERT. _____
HORIZ. _____

DATE _____

DRAWN BY _____
CHECKED BY _____

PLOT DATE = Aug 23, 2007 - 04:04:44 PM
 FILE NAME = c:\projects\veg\6183\topodgn
 PLOT SCALE = 20.0000 / 1 IN.
 USER NAME = Ferguson