

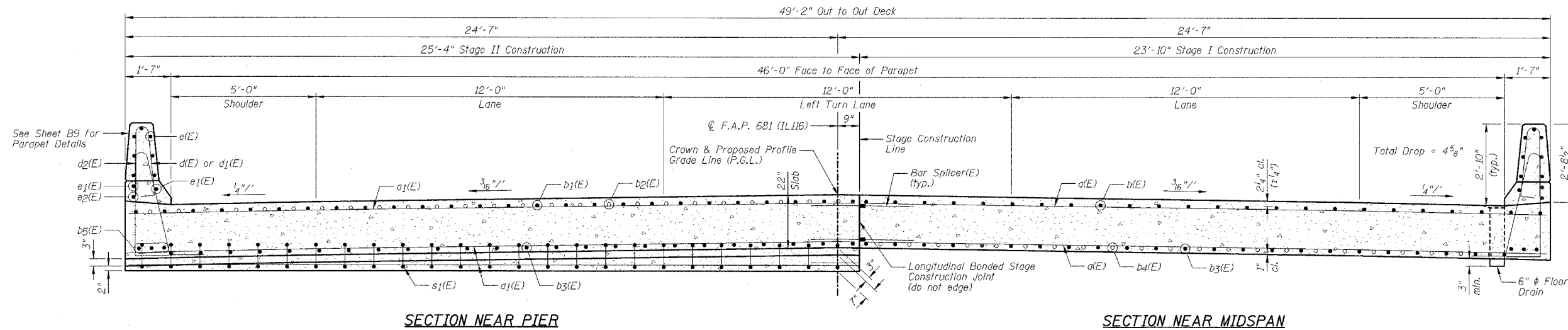
STATE OF ILLINOIS  
DEPARTMENT OF TRANSPORTATION

CONTRACT NO. 66625

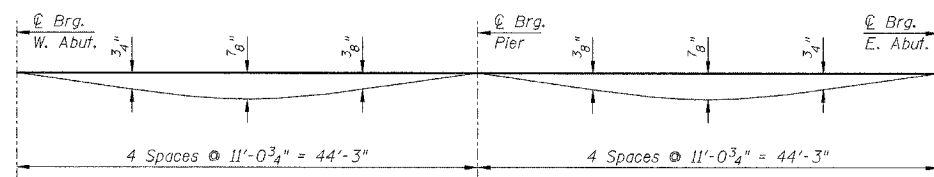
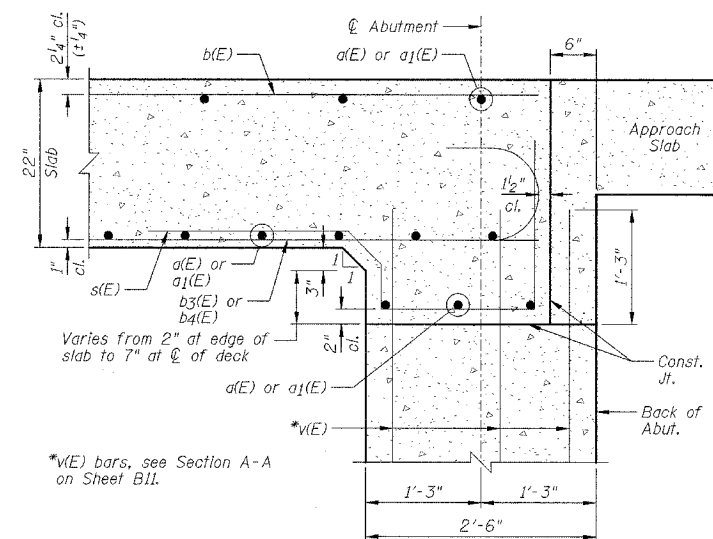
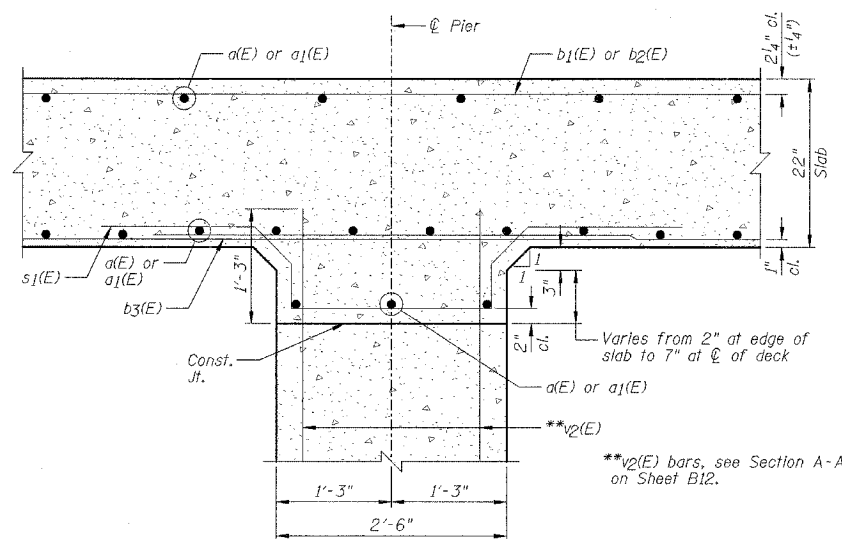
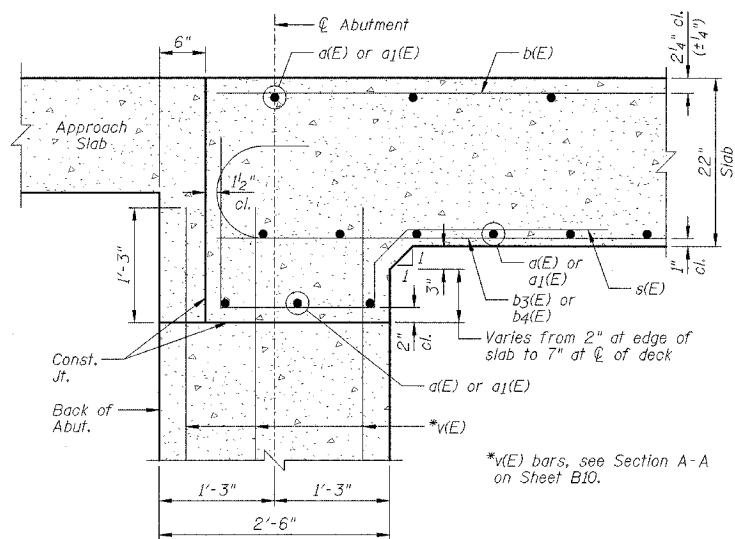
F.A.P. RTE.	SECTION	COUNTY	TOTAL SHEETS	SHEET NO.
681	114BR	LIVINGSTON	43	25
STA.		TO STA.		
FED. ROAD DIST. NO.	ILLINOIS	FED. AID PROJECT		

SHEET NO. B8

OF 14 SHEETS



CROSS SECTION  
(Looking East)



NOTES:

- 1.) Work this sheet with Sheets B6, B7 & B9.
- 2.) For Section Thru Parapet, see Sheet B9.
- 3.) For locations of Sections A-A, B-B & C-C, see Sheets B6 & B7.

REVISIONS	
NAME	DATE

ILLINOIS DEPARTMENT OF TRANSPORTATION  
SUPERSTRUCTURE CROSS SECTIONS  
F.A.P. 681 (IL116) OVER FIVE MILE CREEK  
SECTION 114BR  
LIVINGSTON COUNTY  
STATION 585+14.50  
STRUCTURE NO. 053-0181

DESIGNED BY: JML DRAWN BY: DJM  
DATE: 02/05/07 CHECKED BY: MSW