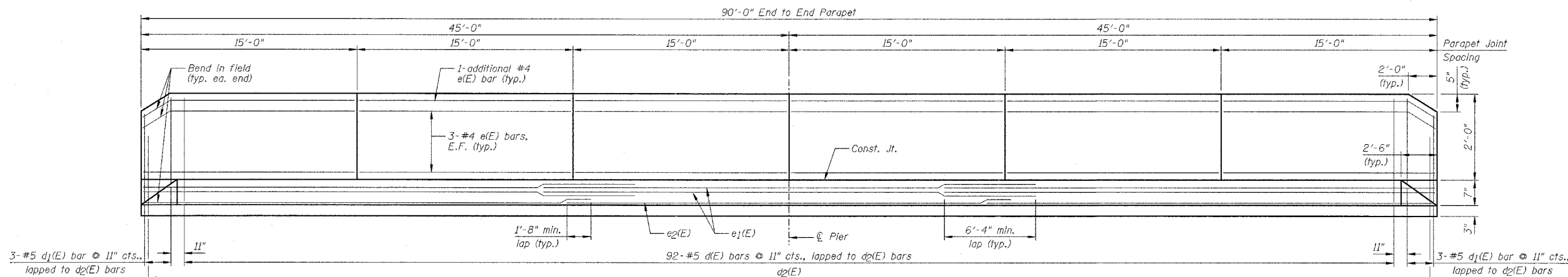


STATE OF ILLINOIS
DEPARTMENT OF TRANSPORTATION

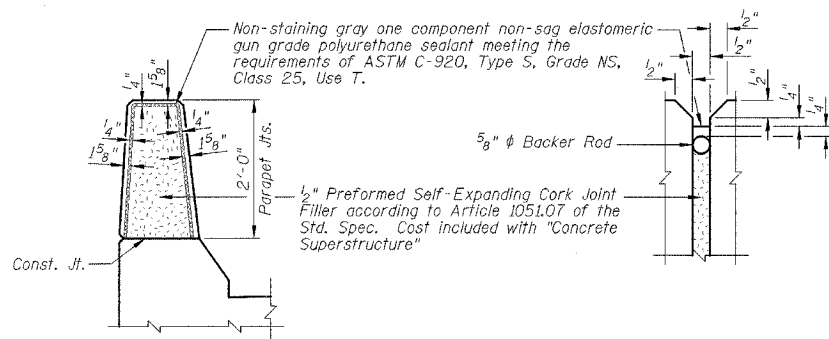
F.A.P. RTE.	SECTION	COUNTY	TOTAL SHEETS	SHEET NO.
681	114BR	LIVINGSTON	43	26
STA.		TO STA.		
FED. ROAD DIST. NO.	ILLINOIS	FED. AID PROJECT		

SHEET NO. B9

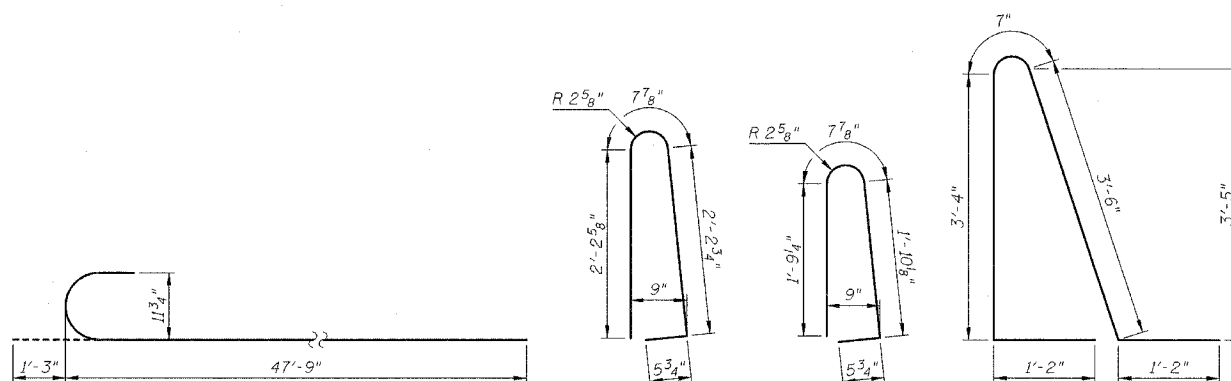
OF 14 SHEETS



INSIDE ELEVATION OF PARAPET
Elevation exaggerated vertically to show reinforcement.

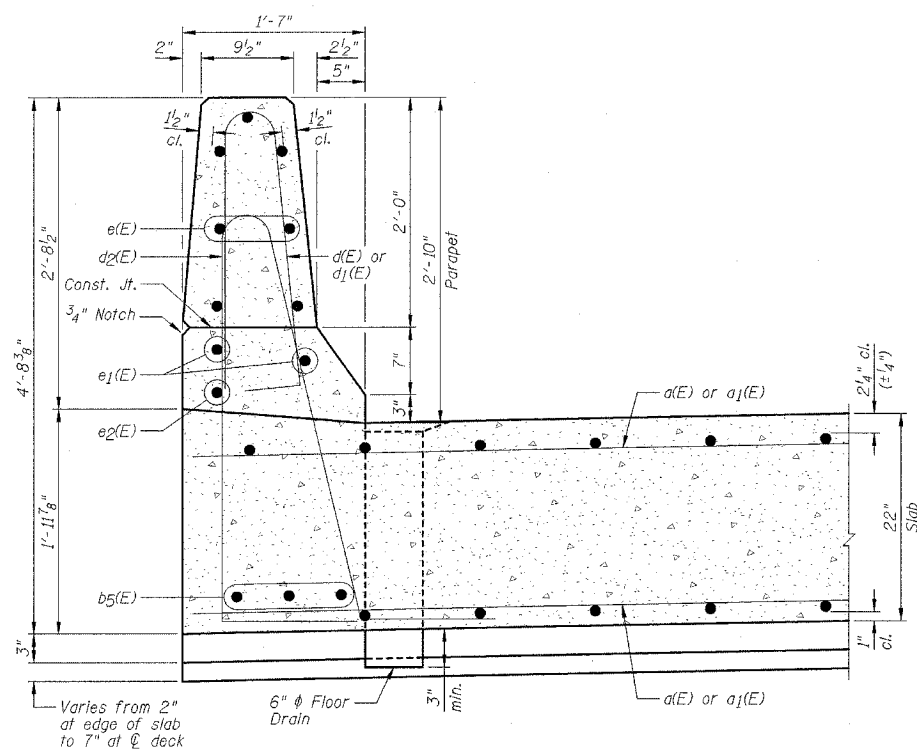


PARAPET JOINT DETAILS

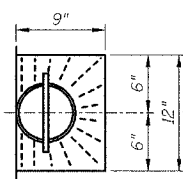


**SUPERSTRUCTURE
BILL OF MATERIAL**

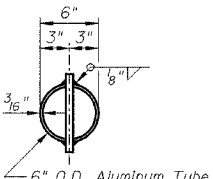
Bar	No.	Size	Length	Shape
a(E)	177	#5	23'-6"	—
a1(E)	177	#5	25'-0"	—
b(E)	98	#5	30'-3"	—
b1(E)	49	#10	35'-0"	—
b2(E)	48	#10	20'-0"	—
b3(E)	94	#9	49'-0"	C
b4(E)	92	#9	34'-11"	—
b5(E)	12	#8	47'-2"	—
d(E)	184	#5	5'-7"	
d1(E)	12	#5	4'-9"	
d2(E)	196	#5	9'-9"	L
e(E)	84	#4	14'-8"	—
e1(E)	12	#8	34'-2"	—
e2(E)	6	#4	31'-0"	—
s(E)	98	#4	6'-7 5/8"	L
s1(E)	49	#4	8'-5 1/4"	L
Item	Unit	Quantity		
Concrete Superstructure	Cu Yd	329.1		
Bridge Deck Grooving	Sq Yd	440		
Protective Coat	Sq Yd	535		
Reinforcement Bars, Epoxy Coated	Pound	57,530		
Bar Splacers	Each	177		



SECTION THRU PARAPET

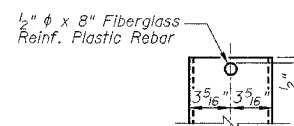


TOP PLAN

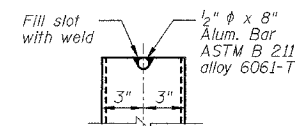


TOP PLAN

(Showing Aluminum Tube)



FIBERGLASS PIPE



ALUMINUM TUBE

NOTES:

- 1.) Work this sheet with Sheets B6 thru B8.
- 2.) E.F. denotes Each Face.
- 3.) Space 6" Floor Drain to miss reinforcing bars.

REVISIONS	
NAME	DATE

ILLINOIS DEPARTMENT OF TRANSPORTATION
SUPERSTRUCTURE DETAILS, PARAPET
DETAILS AND BILL OF MATERIAL
F.A.P. 681 (IL116) OVER FIVE MILE CREEK
SECTION 114BR
LIVINGSTON COUNTY
STATION 585+14.50
STRUCTURE NO. 053-0181

DESIGNED BY: JML
DATE: 02/05/07
DRAWN BY: DJM
CHECKED BY: MSW