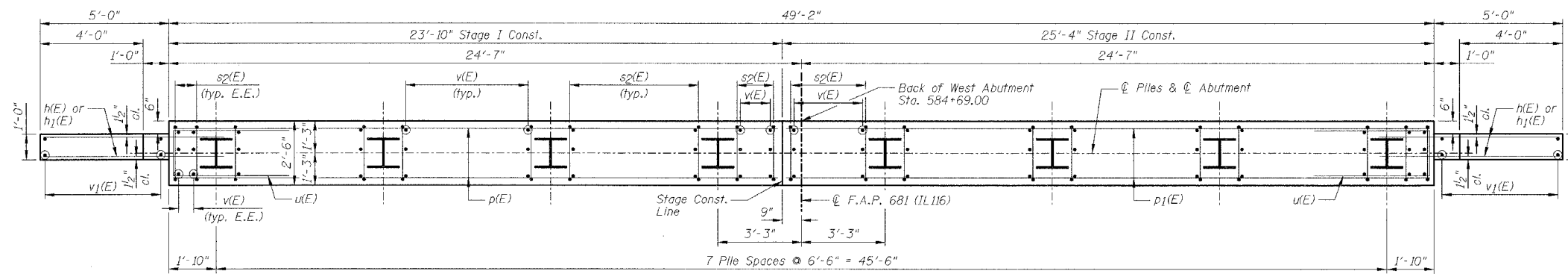


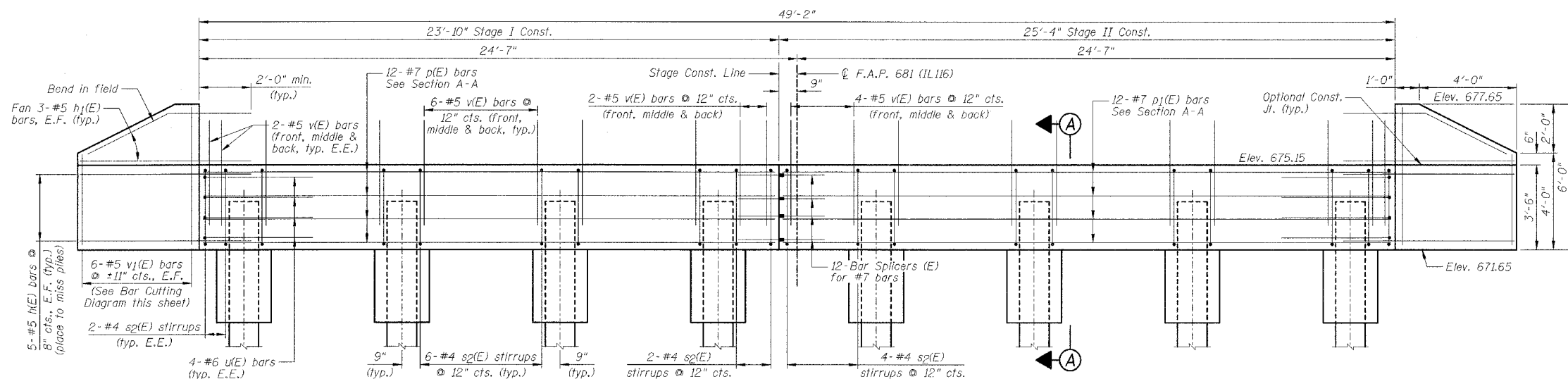
STATE OF ILLINOIS
DEPARTMENT OF TRANSPORTATION

F.A.P. RTE.	SECTION	COUNTY	TOTAL SHEETS	SHEET NO.
681	114BR	LIVINGSTON	43	27
STA.	TO STA.			
FED. ROAD DIST. NO.	ILLINOIS	FED. AID PROJECT		

SHEET NO. B10
OF 14 SHEETS



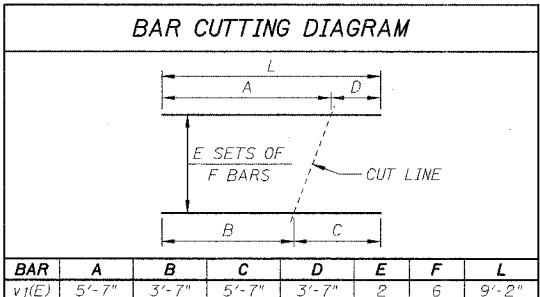
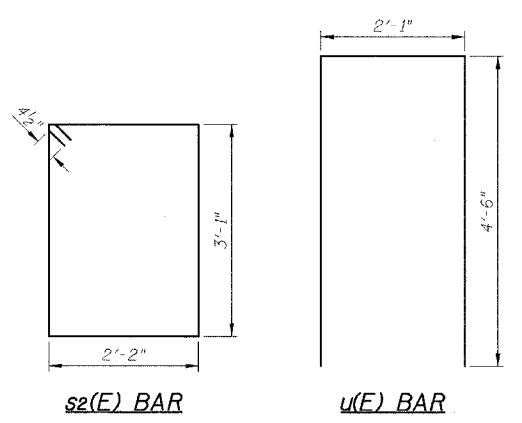
STAGE I PLAN STAGE II



ELEVATION
(Looking West)

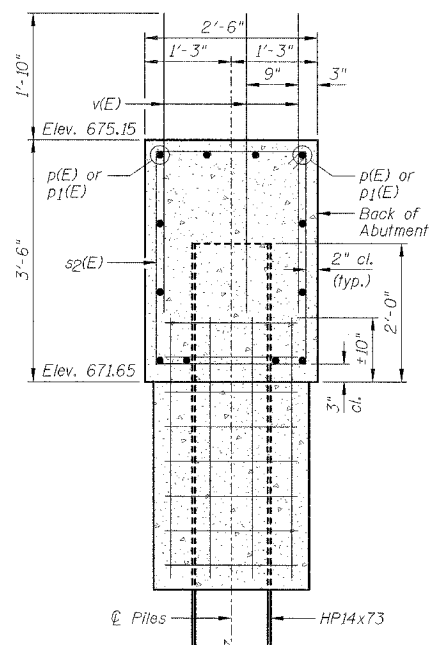
WEST ABUTMENT
BILL OF MATERIAL

Bar	No.	Size	Length	Shape
h(E)	20	#5	7'-0"	—
h1(E)	12	#5	6'-10"	—
p(E)	12	#7	23'-6"	—
p1(E)	12	#7	25'-0"	—
s2(E)	46	#4	11'-3"	□
u(E)	8	#6	11'-1"	□
v(E)	138	#5	4'-4"	—
v1(E)	12	#5	9'-2"	—
Item	Unit	Quantity		
Porous Granular Embankment, Special	Cu Yd	46		
Structure Excavation	Cu Yd	122		
Concrete Structures	Cu Yd	17.9		
Reinforcement Bars, Epoxy Coated	Pound	2640		
Furnishing Steel				
Piles HP14x73	Foot	497		
Driving Piles	Foot	497		
Test Pile Steel HP14x73	Each	1		
Geocomposite Wall Drain	Sq Yd	22		
Pipe Underdrains For Structures 4"	Foot	75		
Bar Splicers	Each	12		



NOTES:

- 1.) Work this sheet with Sheets B2, B11 & B12A.
- 2.) E.E. denotes Each End & E.F. denotes Each Face.
- 3.) See Sheet B5 for Bar Splicer Details.
- 4.) Order v1(E) bars full length. Cut according to Bar Cutting Diagram. Use remainder of v1(E) bars in opposite face of wingwall.
- 5.) Excavation behind existing abutment walls shall be performed to balance front and back soil pressure before removing the existing superstructure. The Contractor shall sawcut the upper portion of the existing abutment at the stage removal line before Stage I removal to ensure the remaining portion will not be prematurely damaged.



SECTION A-A

PILE DATA:

Type	HP14x73 Steel
No. Req'd.	7+1 Test Pile
Est. Length	71 feet
Nominal Required Bearing	115 kips
Allowable Resistance Available	345 kips

Note: Drive test pile under Stage I.

REVISIONS	
NAME	DATE
DJM	9/21/07

ILLINOIS DEPARTMENT OF TRANSPORTATION
WEST ABUTMENT
F.A.P. 681 (IL116) OVER FIVE MILE CREEK
SECTION 114BR
LIVINGSTON COUNTY
STATION 585+14.50
STRUCTURE NO. 053-0181
DESIGNED BY: JML
DATE: 02/05/07
DRAWN BY: DJM
CHECKED BY: MSW