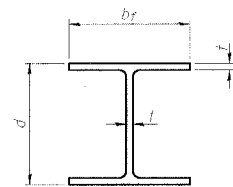


STATE OF ILLINOIS
DEPARTMENT OF TRANSPORTATION

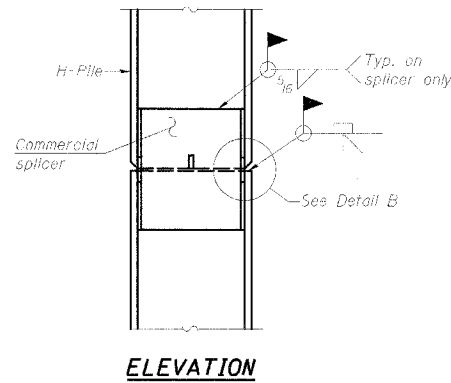
CONTRACT NO. 66625			
F.A.P. RTE.	SECTION	COUNTY	TOTAL SHEET NO.
681	114BR	LIVINGSTON	43 29A
STA.		TO STA.	
FED. ROAD DIST. NO.		ILLINOIS FED. AID PROJECT	

SHEET NO. B12A
OF 14 SHEETS

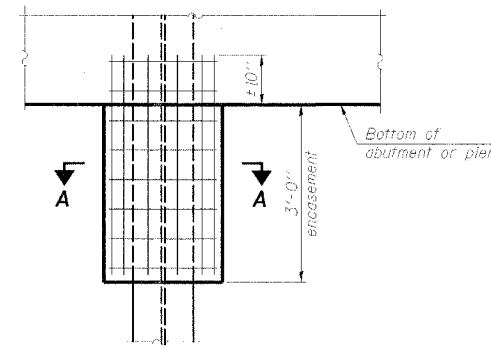


STEEL PILE TABLE

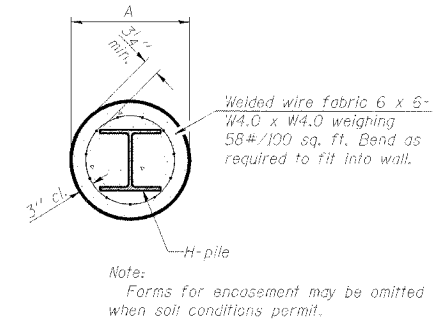
Designation	Depth d	Flange width bf	Web and Flange thickness t	Encasement diameter A
HP 14x117	14 1/4"	14 1/8"	15/16"	30"
x102	14"	14 3/4"	11/16"	30"
x89	13 5/8"	14 3/4"	5/8"	30"
x73	13 5/8"	14 5/8"	1/2"	30"
HP 12x84	12 1/4"	12 1/4"	11/16"	24"
x74	12 1/8"	12 1/4"	5/8"	24"
x63	12"	12 1/8"	1/2"	24"
x53	11 3/4"	12"	1/16"	24"
HP 10x57	10"	10 1/4"	9/16"	24"
x42	9 3/4"	10 1/2"	7/16"	24"
HP 8x36	8"	8 1/2"	7/16"	18"



ELEVATION



ELEVATION

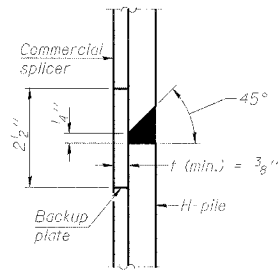


SECTION A-A

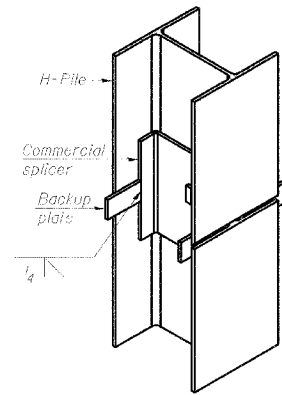
Note:
The cost of excavation, Class SI Concrete Encasement and reinforcement is included with "Furnishing Piles". Form for encasement may be omitted when soil conditions will permit.

Note:
Forms for encasement may be omitted when soil conditions permit.

PILE ENCASEMENT

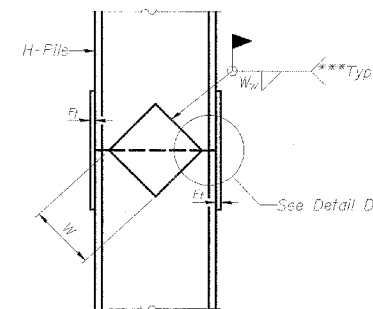


DETAIL "B"

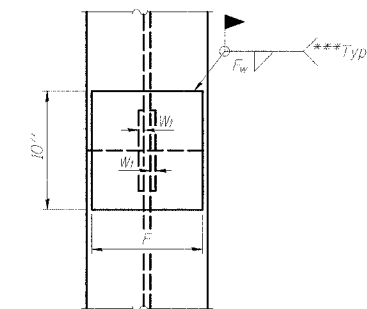


ISOMETRIC VIEW

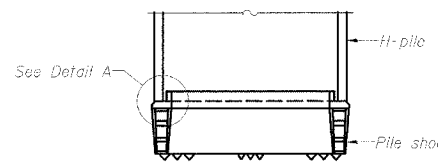
WELDED COMMERCIAL SPLICE



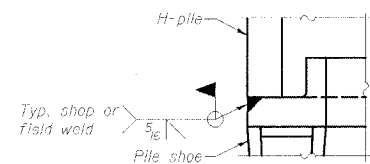
ELEVATION



END VIEW

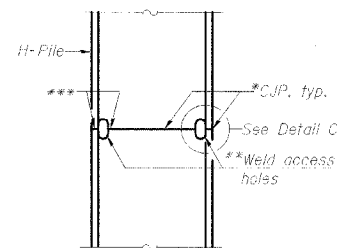


ELEVATION

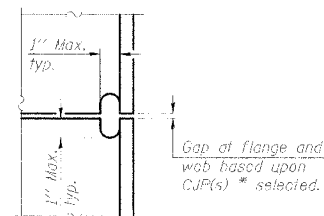


DETAIL A

H-PILE SHOE ATTACHMENT

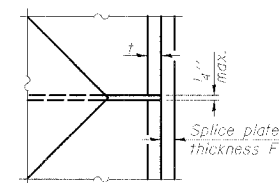


ELEVATION



DETAIL C

COMPLETE PENETRATION WELD SPLICE



DETAIL D

WELDED PLATE FIELD SPLICE

Designation	F	Ft	Fw	W	Wt	Ww
HP 14x117	12 1/2"	1"	7/8"	7 3/4"	5/8"	1/2"
x102	12 1/2"	7/8"	3/4"	7 3/4"	5/8"	1/2"
x89	12 1/2"	3/4"	1/2"	7 3/4"	5/8"	1/2"
x73	12 1/2"	2/8"	1/16"	7 3/4"	5/8"	1/2"
HP 12x84	10"	7/8"	1/2"	6 1/2"	5/8"	1/2"
x74	10"	7/8"	1/2"	6 1/2"	5/8"	1/2"
x63	10"	5/8"	1/2"	6 1/2"	1/2"	3/8"
x53	10"	5/8"	1/2"	6 1/2"	1/2"	3/8"
HP 10x57	8"	3/4"	9/16"	5 1/4"	1/2"	3/8"
x42	8"	5/8"	9/16"	5 1/4"	1/2"	3/8"
HP 8x36	7"	5/8"	7/16"	4 1/4"	1/2"	3/8"

- *Use joint conforming to Figure 3.4 in AWS D1.1, Structure Welding Code - Steel.
- **Preparation per Fig. 5.2 in AWS D1.1, Structure Welding Code - Steel.
- ***Interrupt welds '4" from end of each pile.

Note:
The steel H-piles shall be according to AASHTO M270 Grade 50.

REVISIONS	
NAME	DATE
DJM	9/21/07

ILLINOIS DEPARTMENT OF TRANSPORTATION
PILE DETAILS
F.A.P. 681 (IL116) OVER FIVE MILE CREEK
SECTION 114BR
LIVINGSTON COUNTY
STATION 585+14.50
STRUCTURE NO. 053-0181
DESIGNED BY: JML
DATE: 02/05/07
DRAWN BY: DJM
CHECKED BY: MSW