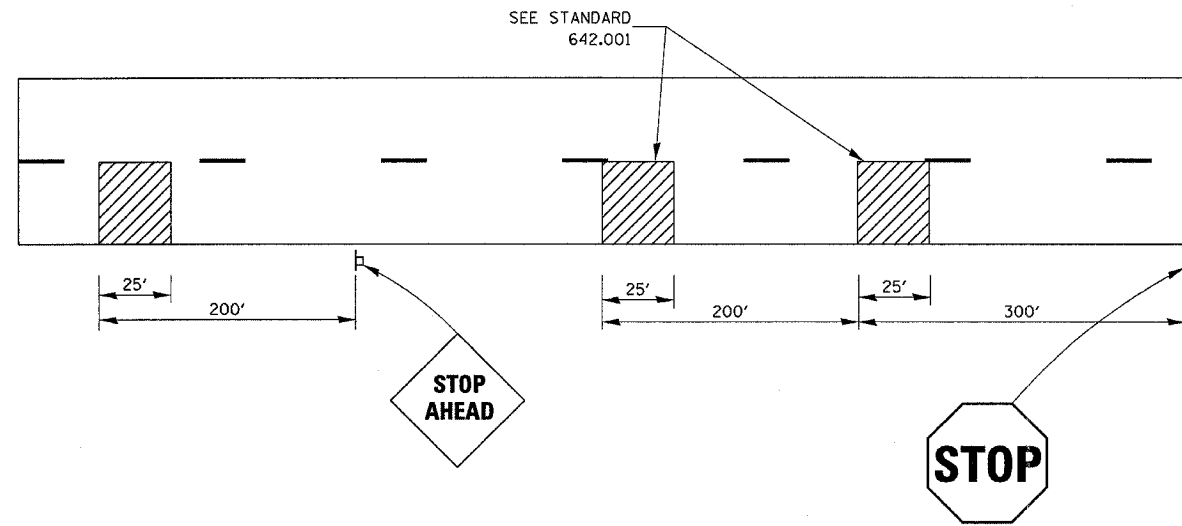
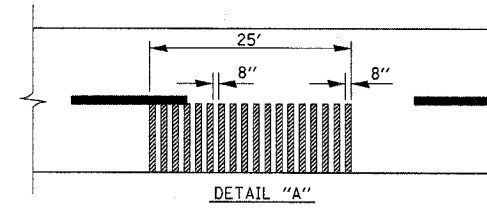


F.A. RTE.	SECTION	COUNTY	TOTAL SHEETS	SHEET NO.
681	114 BR	LIVINGSTON	43	38
STA.		TO STA.		
FED. ROAD DIST. NO.		ILLINOIS FED. AID PROJECT		

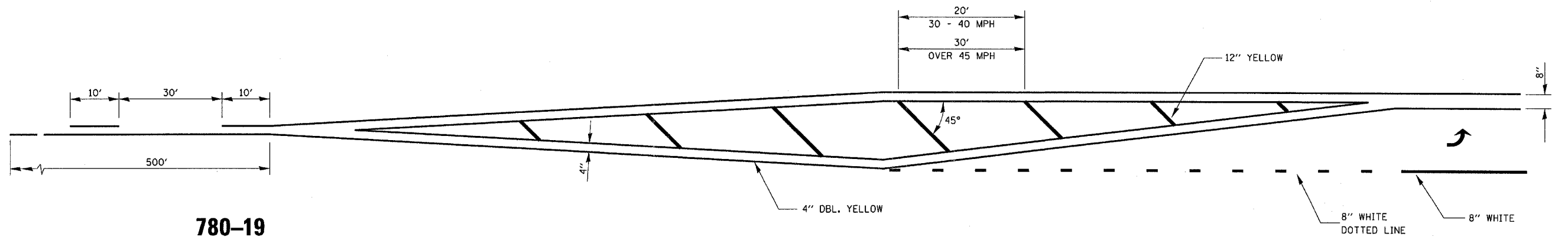
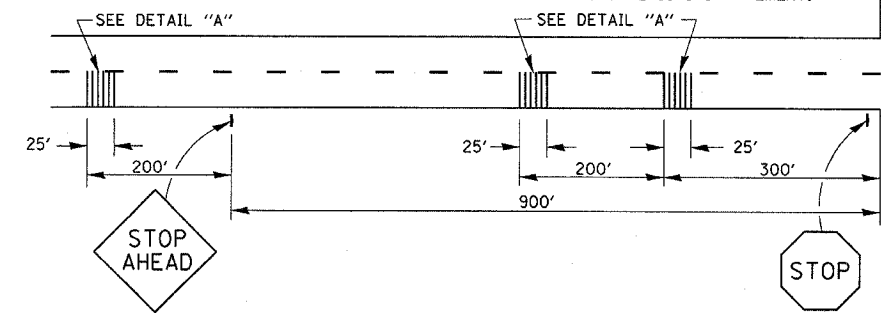


TYPICAL GROOVED RUMBLE STRIP APPLICATION IN ADVANCE OF AN INTERSECTION

RUMBLE STRIP APPLICATION



NOTE: THE 25-FOOT RUMBLE AREA HAS 8-INCH LENGTHS OF TREATED SURFACE STRETCHED ACROSS THE WIDTH OF APPROACH LANE, EACH SEPARATED BY 8 INCHES OF EXISTING PAVEMENT.



780-19

PLOT DATE = Aug 23, 2007 - 04:05:33 PM
 PLOT SCALE = 20,000 / 1" = 1' = 100' / 1" = 100'
 USER NAME = Ferguson

REVISIONS	
NAME	DATE

ILLINOIS DEPARTMENT OF TRANSPORTATION

DETAILS

SCALE: VERT.
 HORIZ.
 DATE

DRAWN BY
 CHECKED BY