

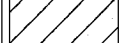



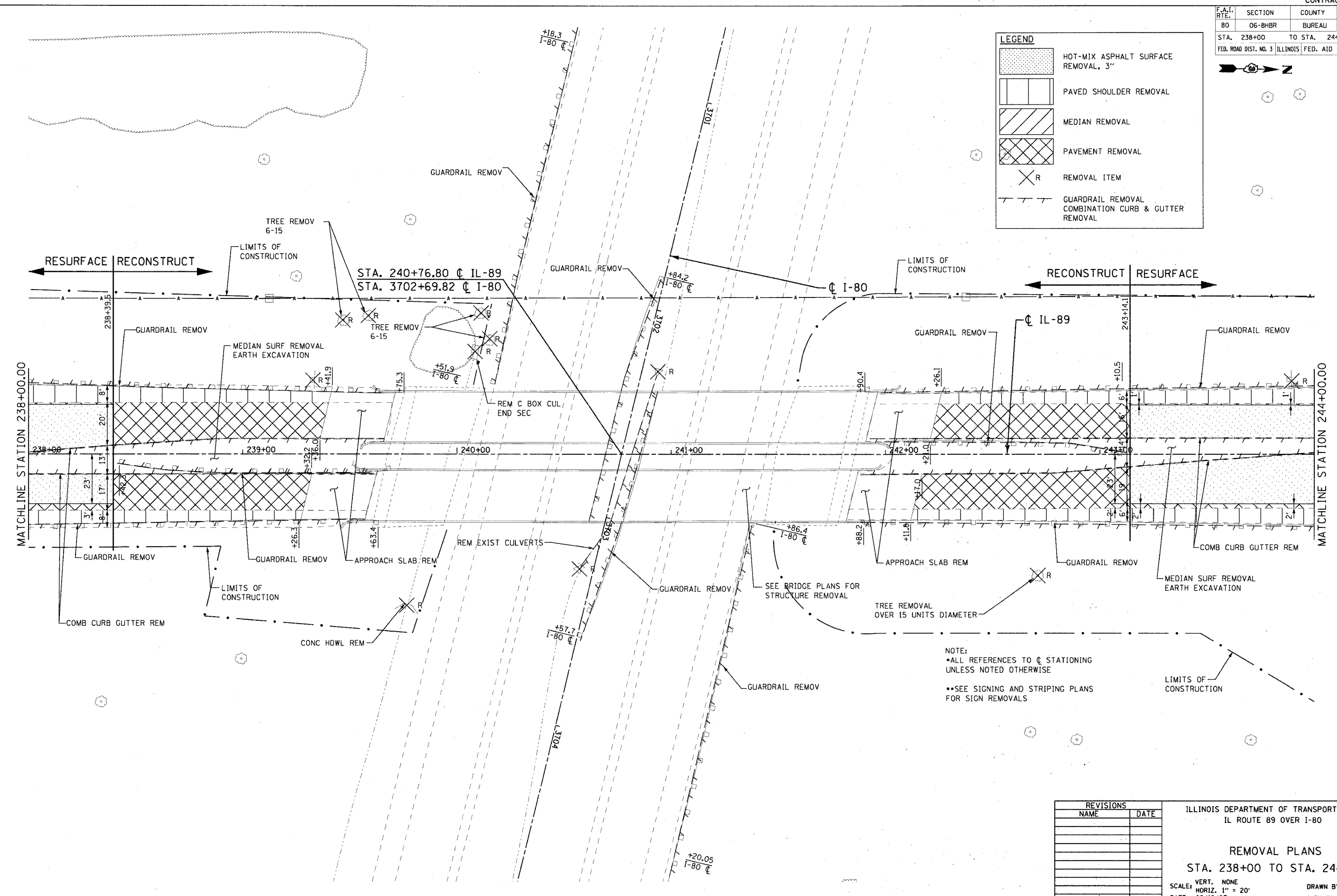


F.A.I. RTE.	SECTION	COUNTY	TOTAL SHEETS	SHEET NO.
80	06-BHBR	BUREAU	165	19
STA. 238+00		TO STA. 244+00		
FED. ROAD DIST. NO. 3 ILLINOIS FED. AID PROJECT				

**LEGEND**

-  HOT-MIX ASPHALT SURFACE REMOVAL, 3"
-  PAVED SHOULDER REMOVAL
-  MEDIAN REMOVAL
-  PAVEMENT REMOVAL
-  REMOVAL ITEM
-  GUARDRAIL REMOVAL COMBINATION CURB & GUTTER REMOVAL



NOTE:  
 • ALL REFERENCES TO @ STATIONING UNLESS NOTED OTHERWISE  
 •• SEE SIGNING AND STRIPING PLANS FOR SIGN REMOVALS

REVISIONS	
NAME	DATE

ILLINOIS DEPARTMENT OF TRANSPORTATION  
 IL ROUTE 89 OVER I-80

**REMOVAL PLANS**  
 STA. 238+00 TO STA. 244+00

SCALE: VERT. NONE  
 HORIZ. 1" = 20'  
 DATE: 08/10/07

DRAWN BY ACE/CAD  
 CHECKED BY TMH

PLOT DATE = 8/10/07  
 FILE NAME = g:\projects\2064085\002\roads\89I80\03.dwg  
 PLOT SCALE = 20.0000 / IN.  
 USER NAME = zhenid

