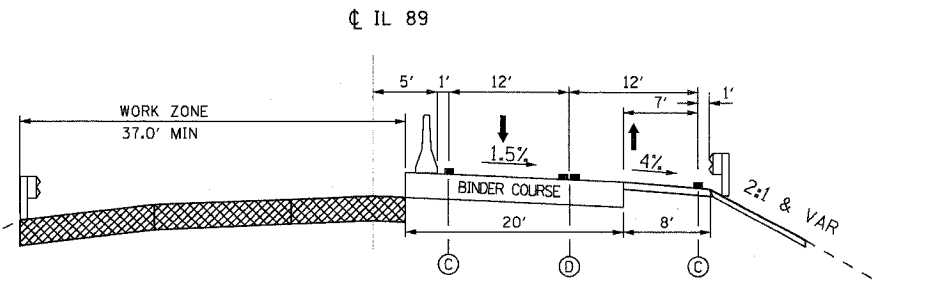
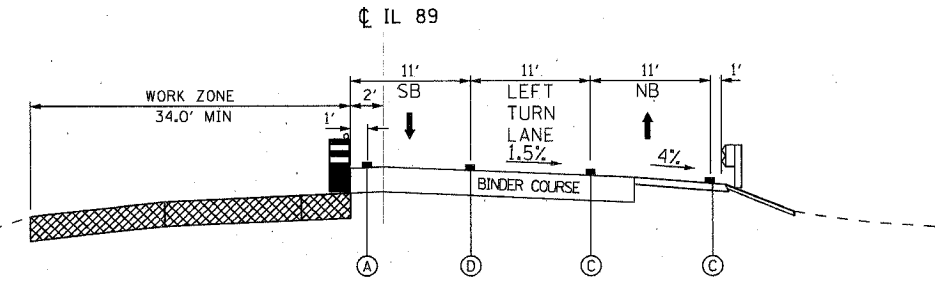


F.A.I. RTE.	SECTION	COUNTY	TOTAL SHEETS	SHEET NO.
80	06-8HBR	BUREAU	165	38
STA.	TO STA.			
FED. ROAD DIST. NO. 3 ILLINOIS FED. AID PROJECT				



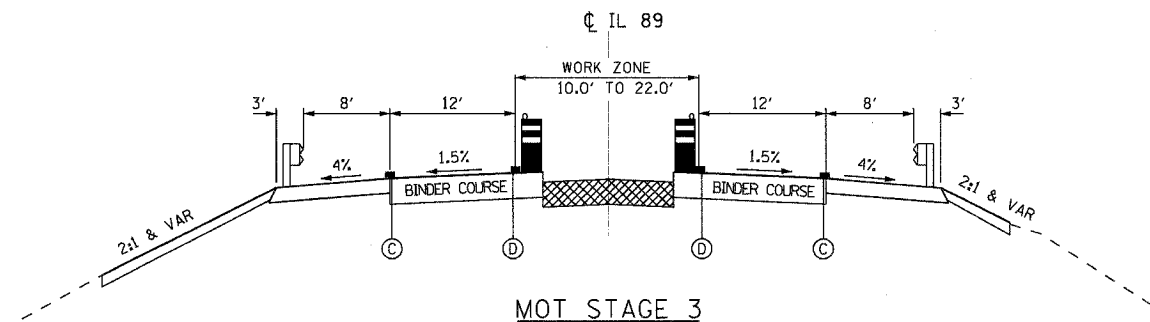
**MOT STAGE 2**  
STA 238+40 TO STA 243+60  
(LOOKING NORTH)

1. REMOVE AND REPLACE THE SOUTHBOUND STRUCTURE.
2. REMOVE THE PAVEMENT ON EACH SIDE OF THE BRIDGE.
3. INSTALL THE BASE AND BINDER COURSES AND OUTSIDE SHOULDER.
4. TO BE PAID FOR AS TRAFFIC CONTROL COMPLETE.



**MOT STAGE 2**  
STA 229+20 TO STA 238+40  
STA 243+60 TO STA 254+50  
(LOOKING NORTH)

1. REMOVE AND REPLACE THE SOUTHBOUND STRUCTURE.
2. REMOVE THE PAVEMENT ON EACH SIDE OF THE BRIDGE.
3. INSTALL THE BASE AND BINDER COURSES AND OUTSIDE SHOULDER.
4. TO BE PAID FOR AS TRAFFIC CONTROL COMPLETE.



**MOT STAGE 3**  
STA 228+50 TO STA 262+60

1. MILL EACH END OF PROJECT.
2. INSTALL NEW MEDIAN.
3. TO BE PAID FOR AS TRAFFIC CONTROL COMPLETE.

**MOT STAGE 4**  
STA 228+50 TO STA 262+60

1. PLACE SURFACE BETWEEN PROJECT LIMITS.
2. MOT ACCORDING TO STATE STANDARD 701306
3. TO BE PAID FOR AS TRAFFIC CONTROL AND PROTECTION, STANDARD 701306.

**MOT LEGEND**

- (A) TEMPORARY PAVEMENT MARKING - LINE 4", WHITE (70300220)
- (B) TEMPORARY PAVEMENT MARKING - LINE 4", YELLOW (70300220)
- (C) PAVEMENT MARKING TAPE, TYPE III 4", WHITE (70300520) (ON APPROACH SLAB AND BRIDGE ONLY)
- (D) PAVEMENT MARKING TAPE, TYPE III 4", YELLOW (70300520) (ON APPROACH SLAB AND BRIDGE ONLY)

REVISIONS	
NAME	DATE

ILLINOIS DEPARTMENT OF TRANSPORTATION  
IL ROUTE 89 OVER I-80  
**MAINTENANCE OF TRAFFIC**  
TYPICAL SECTIONS

SCALE: VERT. NONE  
HORIZ. NONE  
DATE: 08/10/07

DRAWN BY ACE/CAD  
CHECKED BY TMH