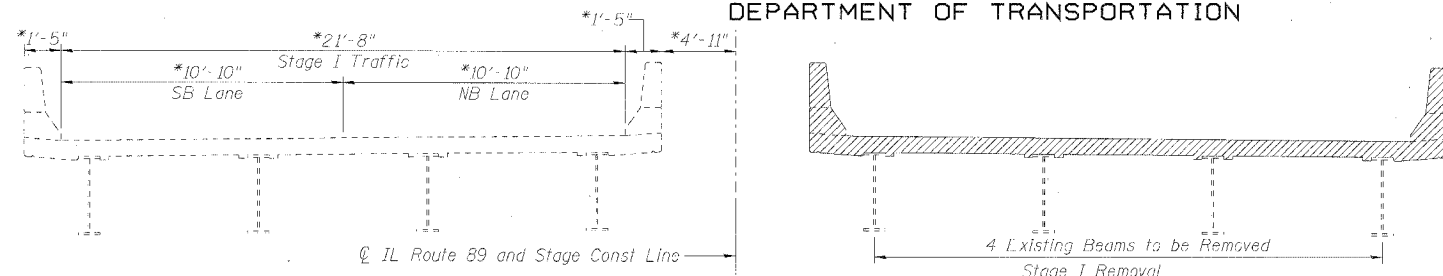


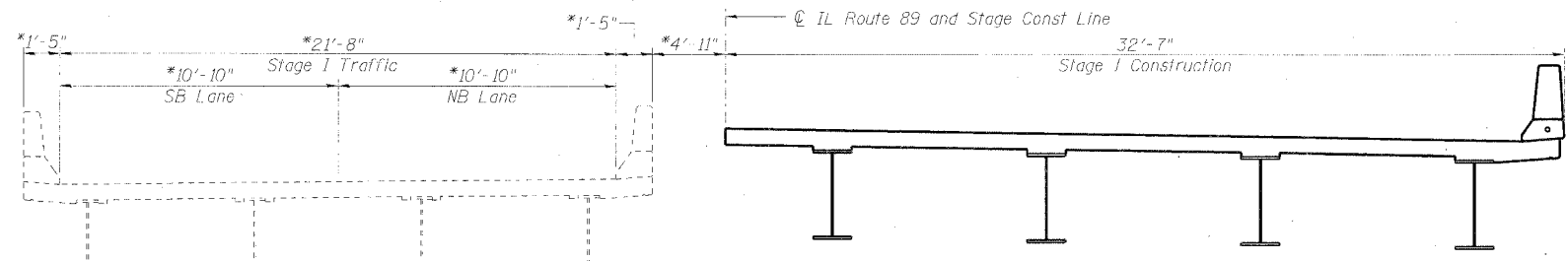
STATE OF ILLINOIS  
DEPARTMENT OF TRANSPORTATION

ROUTE NO.	SECTION	COUNTY	TOTAL SHEETS	SHEET NO.
FAI 80	06 - 8HBR	BUREAU	165	74
FED. ROAD DIST. NO. 7		ILLINOIS	FED. AID PROJECT	

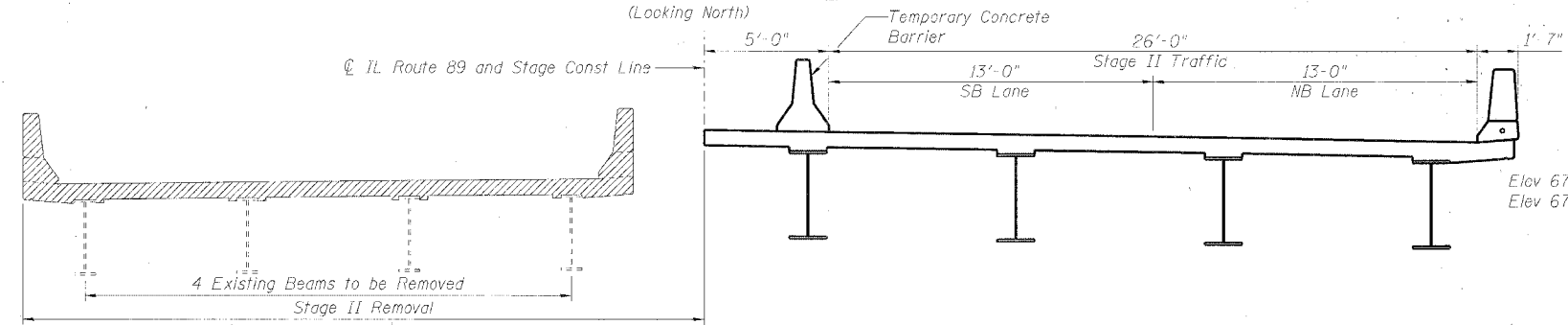
Contract # 66641



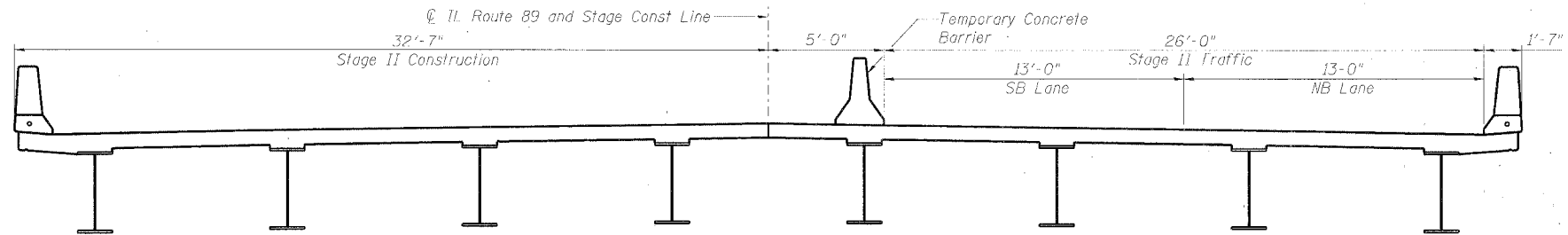
**STAGE I REMOVAL**  
(Looking North)



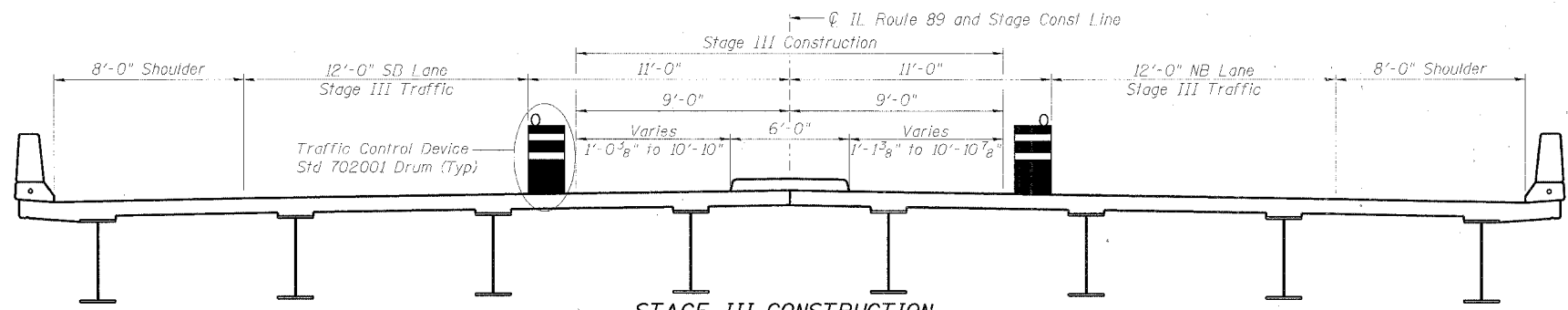
**STAGE I CONSTRUCTION**  
(Looking North)



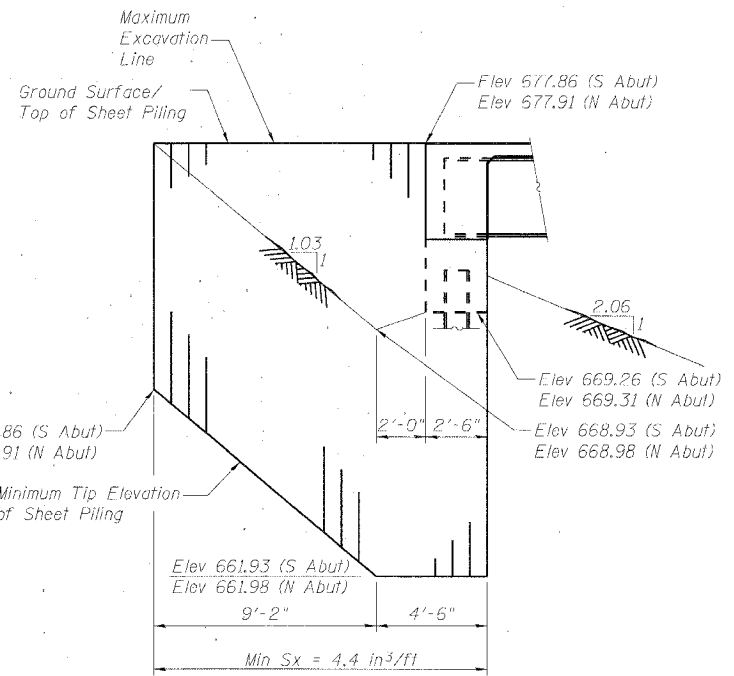
**STAGE II REMOVAL**  
(Looking North)



**STAGE II CONSTRUCTION**  
(Looking North)



**STAGE III CONSTRUCTION**  
(Looking North)



**SHEET PILE ELEVATION**

(South Abutment shown looking west, North Abutment similar)

Note:  
If the Contractor chooses to alter the temporary cantilevered sheet piling design requirements shown on the plans, a design submittal including plan details and calculations will be required for review and acceptance by the Engineer.

\* Plan dimensions relative to existing structures are subject to nominal construction variations.

**STAGE CONSTRUCTION DETAILS**  
IL ROUTE 89 OVER  
FAI ROUTE 80 (I-80)  
SECTION 06-8HBR  
BUREAU COUNTY  
STATION 3702+69.82  
STRUCTURE NO. 006-0178

DESIGNED	BPS
CHECKED	BIIS
DRAWN	RRG
CHECKED	GSP

PLOT DATE = 7/30/2007  
FILE NAME = C:\Users\jerry.2054805.002\work\IL89B1.DWG.s44  
PLOT SCALE = N/A  
USER NAME = 2aguarb

