

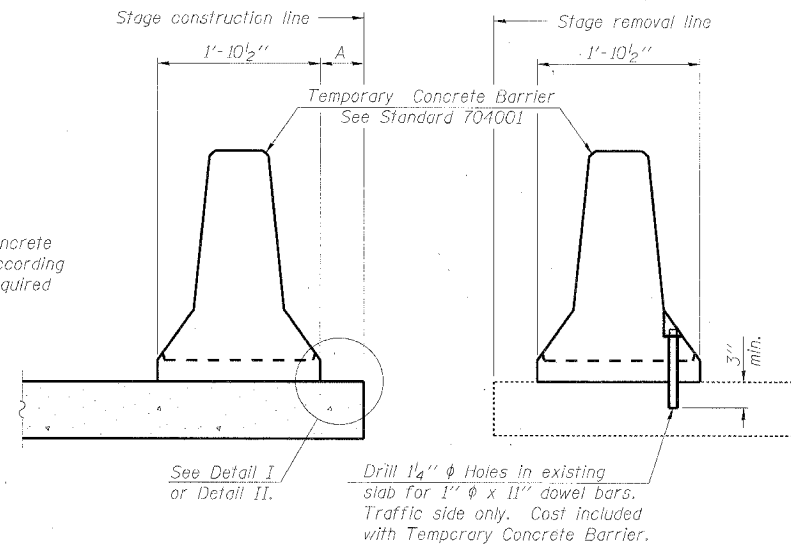
STATE OF ILLINOIS
DEPARTMENT OF TRANSPORTATION

| | | | | |
|-----------------------|---------|----------|------------------|-----------|
| ROUTE NO. | SECTION | COUNTY | TOTAL SHEETS | SHEET NO. |
| FAI 80 | 06-8HBR | BUREAU | 165 | 75 |
| FED. ROAD DIST. NO. 7 | | ILLINOIS | FED. AID PROJECT | |

Contract # 66641

22 SHEETS

When "A" is 3'-5" or less, the temporary concrete barrier shall be anchored to the new slab according to Detail I or Detail II. No anchorage is required when "A" is greater than 3'-6".



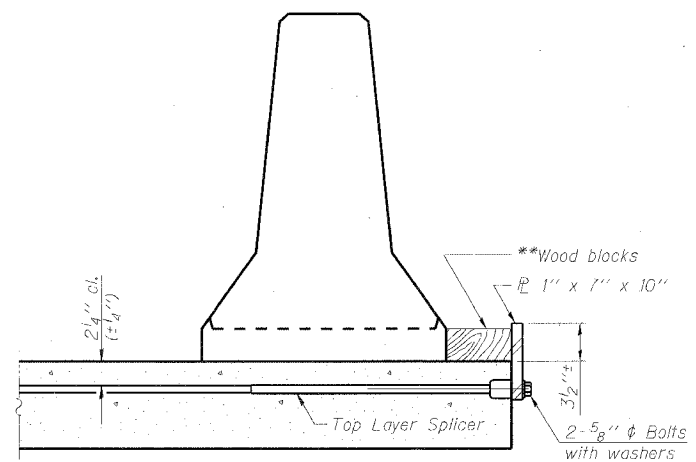
NEW SLAB

EXISTING SLAB

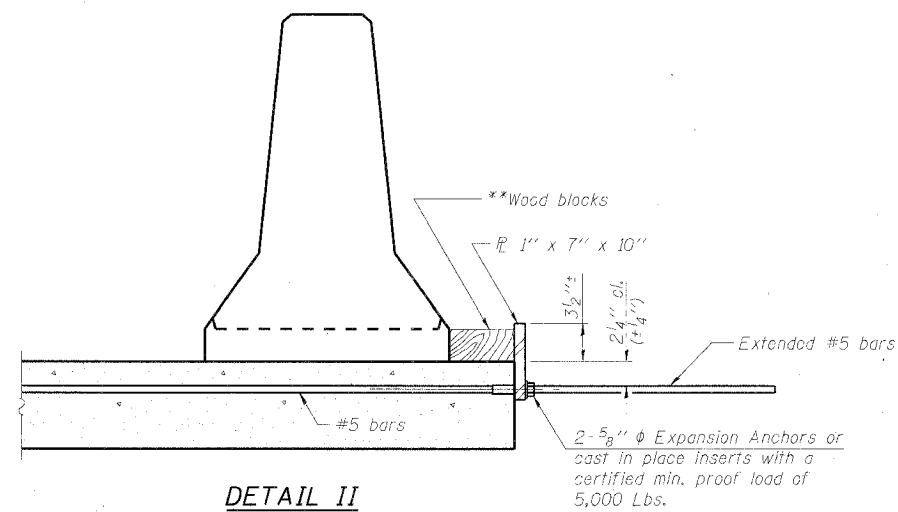
SECTIONS THRU SLAB

NOTES

- Detail I - With Bar Splicer or Couplers:**
Connect one (1) 1"x7"x10" steel \bar{r} to the top layer of couplers with 2- $\frac{5}{8}$ " ϕ bolts screwed to coupler at approximate \bar{c} of each barrier panel.
- Detail II - With Extended Reinforcement Bars:**
Connect one (1) 1"x7"x10" steel \bar{r} to the concrete slab with 2- $\frac{5}{8}$ " ϕ Expansion Anchors or cast in place inserts spaced between the top layer of reinforcement at approximate \bar{c} of each barrier panel.
- Cost of anchorage is included with Temporary Concrete Barrier. The 1" x 7" x 10" plate shall not be removed until stage II construction forms and all reinforcement bars are in place and the concrete is ready to be placed.

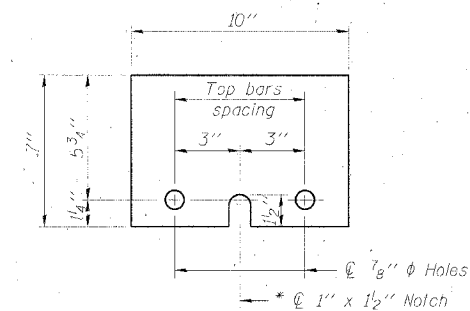


DETAIL I



DETAIL II

** Wood blocks may be omitted when required to provide minimum stage traffic lane width. When the wood blocks are omitted, the concrete barrier shall be in direct contact with the steel retainer plate.



STEEL RETAINER \bar{r} 1" x 7" x 10"

* Required only with Detail II

TEMPORARY CONCRETE
BARRIER FOR STAGE CONSTR

IL ROUTE 89 OVER
FAI ROUTE 80 (I-80)
SECTION 06-8HBR
BUREAU COUNTY
STATION 3702+69.82
STRUCTURE NO. 006-0178

PLOT DATE = 7/20/2007
FILE NAME = I:\Projects\2006-08-09_002\roads\IL068B.R27.dwg
PLOT SCALE = 1/4" = 1'-0"
USER NAME = Zsuzanna

| | |
|----------|-----|
| DESIGNED | BPS |
| CHECKED | BHS |
| DRAWN | RRG |
| CHECKED | GSP |

R-27

11-1-06

