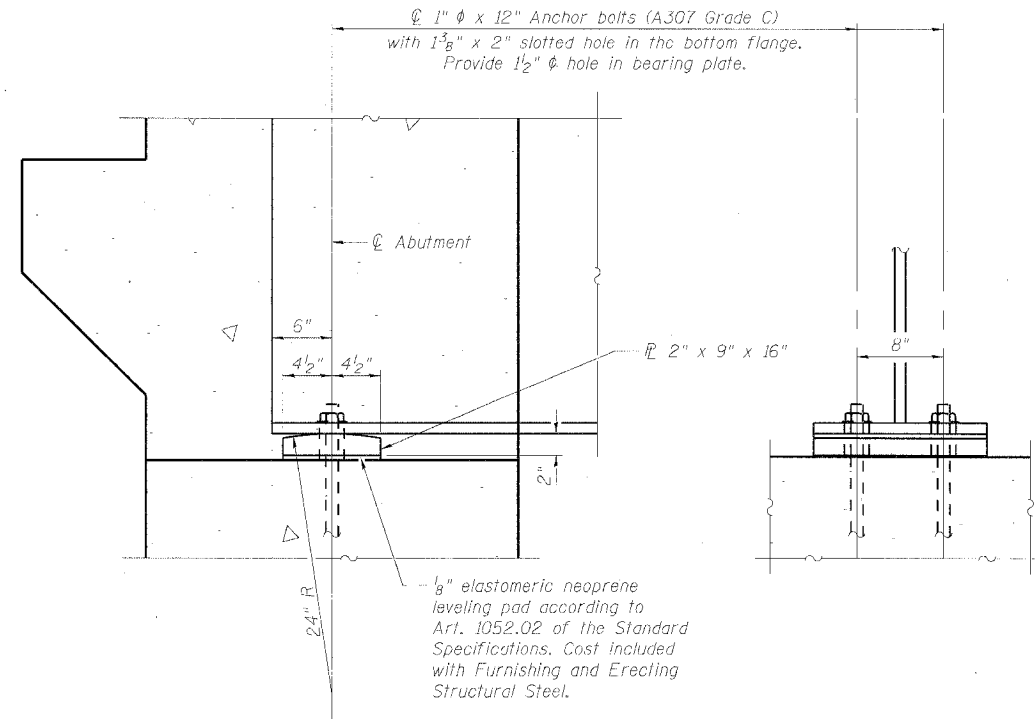


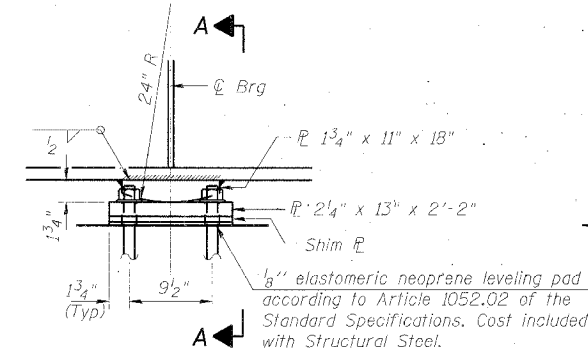
STATE OF ILLINOIS  
DEPARTMENT OF TRANSPORTATION

ROUTE NO.	SECTION	COUNTY	SHEET	SHEET	SHEET NO. 15
FAI 80	06-8HBR	BUREAU	165	06	22 SHEETS
FED. ROAD DIST. NO. 7		SHEET NO.		FED. AID PROJECT NO.	

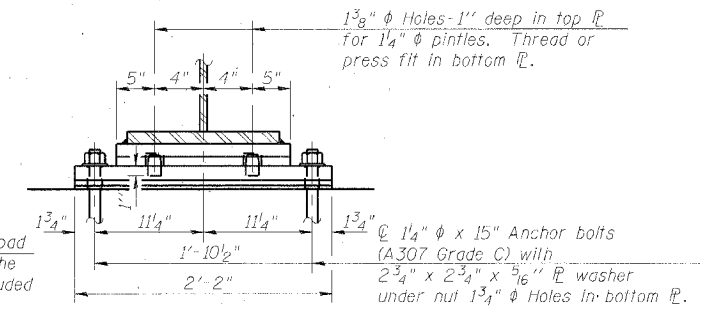
Contract # 66641



**INTEGRAL ABUTMENT BEARING**

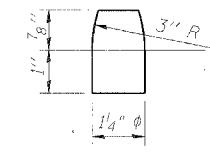


**ELEVATION AT PIER**



**SECTION A-A**

**FIXED BEARING**



**PINTLE**  
(AASHTO M 270, Grade 50)

**REQUIRED SHIM PLATE TABLE**

Girder	Location	Size (in)	Thickness (in)
4	S Abut	9 x 16	1/8
5	N Abut	9 x 16	1/8

**BILL OF MATERIAL**

Item	Unit	Total
Anchor Bolts, 1"	Each	32
Anchor Bolts, 1 1/4"	Each	32

**Notes:**

All bearing plate material shall be AASHTO M270 Grade 50.

Anchor bolts shall be ASTM F1554 all-thread (or an Engineer-approved alternate material) of the grade(s) and diameter(s) specified. ASTM A307 Grade C anchor bolts may be used in lieu of ASTM F1554 Grade 36 (Fy=36ksi). The corresponding specified grade of AASHTO M314 anchor bolts may be used in lieu of ASTM F1554.

Anchor bolts at fixed bearings may be either cast in place or installed in holes drilled after the supported member is in place.

Drilled and set anchor bolts shall be installed according to Article 521.06 of the Standard Specifications.

Two 1/8 in. adjusting shims shall be provided for each bearing, in addition to all other plates or shims and placed as shown on bearing details.

**BEARING DETAILS**

IL ROUTE 89 OVER  
FAI ROUTE 80 (I-80)  
SECTION 06-8HBR  
BUREAU COUNTY  
STATION 3702+69.82  
STRUCTURE NO. 006-0178

PLOT DATE = 7/28/2007  
PLOT TIME = 10:00:00  
PLOT SCALE = N/A  
USER NAME = 2499arb

DESIGNED	BPS
CHECKED	BHS
DRAWN	RRG
CHECKED	GSP

