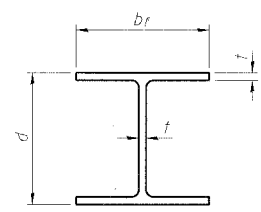


STATE OF ILLINOIS  
DEPARTMENT OF TRANSPORTATION

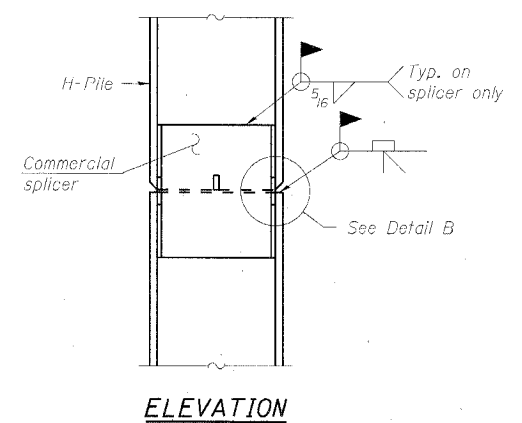
ROUTE NO.	SECTION	COUNTY	TOTAL SHEETS	SHEET NO.
FAI 80	06 8HBR	BUREAU	165	91
FED. ROAD DIST. NO. 7	BUILDING	FED. AID PROJECT		

SHEET NO. 20  
22 SHEETS  
Contract # 66641

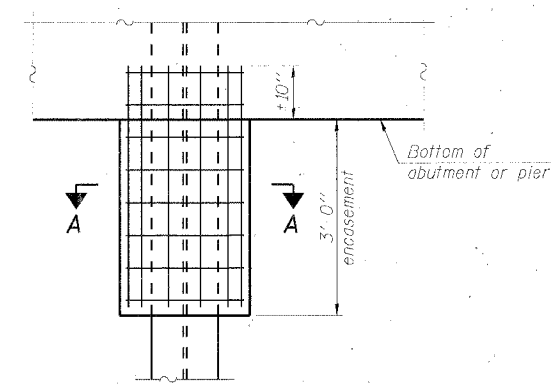


STEEL PILE TABLE

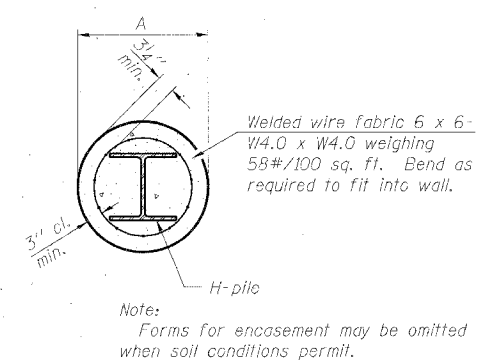
Designation	Depth d	Flange width bf	Web and Flange thickness t	Encasement diameter A
HP 14x117	14 1/4"	14 7/8"	5/8"	30"
x102	14"	14 3/4"	1/2"	30"
x89	13 7/8"	14 3/4"	5/8"	30"
x73	13 5/8"	14 5/8"	1/2"	30"
HP 12x84	12 1/4"	12 1/4"	1/2"	24"
x74	12 1/8"	12 1/4"	5/8"	24"
x63	12"	12 1/8"	1/2"	24"
x53	11 3/4"	12"	7/16"	24"
HP 10x57	10"	10 1/4"	9/16"	24"
x42	9 3/4"	10 1/8"	7/16"	24"
HP 8x36	8"	8 1/8"	7/16"	18"



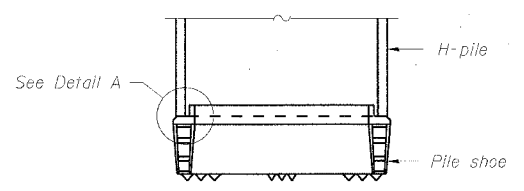
ELEVATION



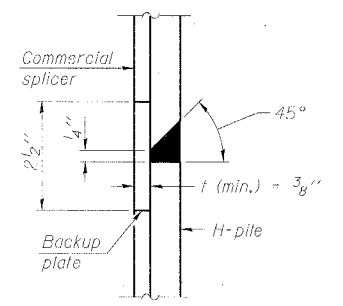
ELEVATION



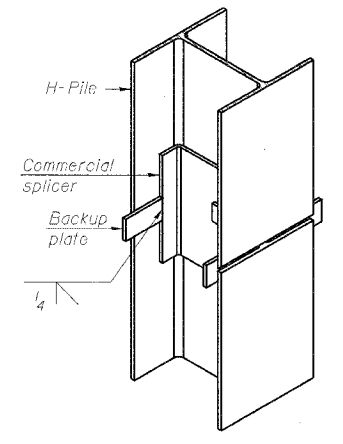
SECTION A-A



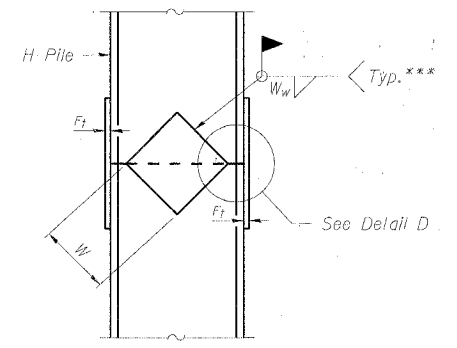
ELEVATION



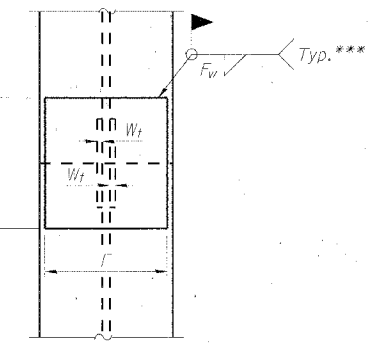
DETAIL "B"



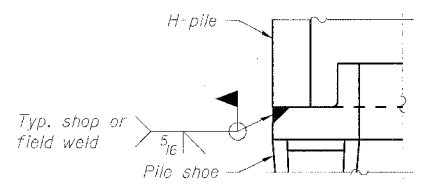
ISOMETRIC VIEW



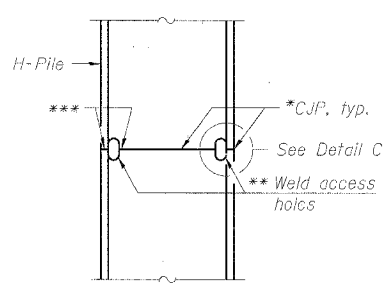
ELEVATION



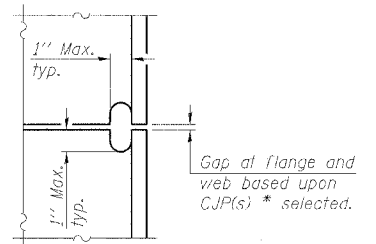
END VIEW



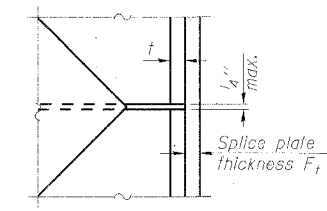
DETAIL A



ELEVATION



DETAIL C



DETAIL D

Designation	F	F <sub>I</sub>	F <sub>w</sub>	W	W <sub>I</sub>	W <sub>w</sub>
HP 14x117	12 1/2"	1"	7/8"	7 3/4"	5/8"	1/2"
x102	12 1/2"	7/8"	3/4"	7 3/4"	5/8"	1/2"
x89	12 1/2"	3/4"	1/2"	7 3/4"	5/8"	1/2"
x73	12 1/2"	5/8"	9/16"	7 3/4"	5/8"	1/2"
HP 12x84	10"	7/8"	1/2"	6 1/2"	5/8"	1/2"
x74	10"	7/8"	1/2"	6 1/2"	5/8"	1/2"
x63	10"	5/8"	1/2"	6 1/2"	1/2"	3/8"
x53	10"	5/8"	1/2"	6 1/2"	1/2"	3/8"
HP 10x57	8"	3/4"	9/16"	5 1/4"	1/2"	3/8"
x42	8"	5/8"	9/16"	5 1/4"	1/2"	3/8"
HP 8x36	7"	5/8"	7/16"	4 1/4"	1/2"	3/8"

COMPLETE PENETRATION WELD SPLICE

WELDED PLATE FIELD SPLICE

- \* Use joint conforming to Figure 3.1 in AWS D1.1, Structure Welding Code - Steel.
- \*\* Preparation per Fig. 5.2 in AWS D1.1, Structure Welding Code - Steel.
- \*\*\* Interrupt welds 1/4" from end of each pile.

Note:  
The steel H piles shall be according to AASHTO M270 Grade 50.

STEEL H-PILE DETAILS  
IL ROUTE 89 OVER  
FAI ROUTE 80 (I-80)  
SECTION 06-8HBR  
BUREAU COUNTY  
STATION 3702+69.82  
STRUCTURE NO. 006-0178

DESIGNED	BPS
CHECKED	BHS
DRAWN	RRG
CHECKED	GSP

F-HP 11-1-06



PLOT DATE = 7/30/2007  
 PLOT TIME = 1:25:48 PM  
 PLOT SCALE = N/A  
 USER NAME = 2agur-b