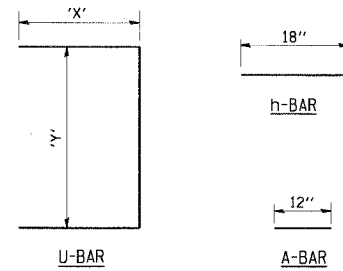
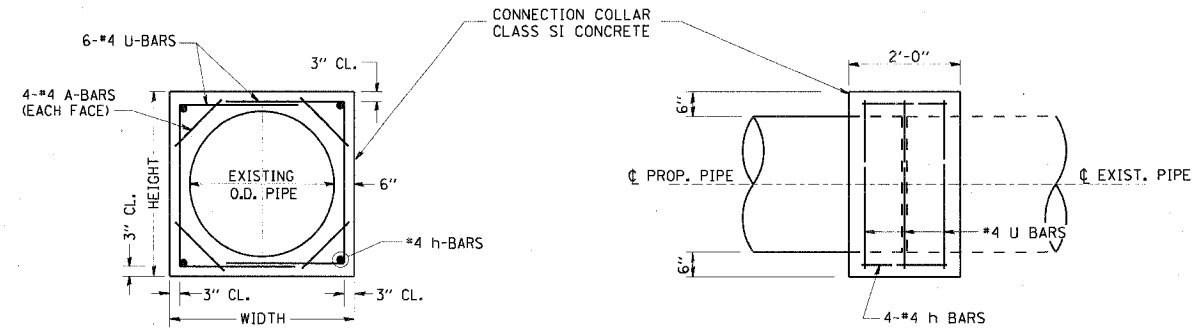


F.A.I. RTE.	SECTION	COUNTY	TOTAL SHEETS	SHEET NO.
80	06-BHBR	BUREAU	165	118
STA.		TO STA.		
FED. ROAD DIST. NO. 3 ILLINOIS FED. AID PROJECT				



LOCATION	EXISTING CULVERT SIZE FT. x FT.	EXTENSION COLLAR		A-BAR		U-BAR		h-BAR		CONC. COLLAR CU. YD.	REINFORCEMENT BARS POUND
		WIDTH IN.	HEIGHT IN.	12 IN.	'X' IN.	'Y' IN.	18 IN.				
A	2' DIA	36"	36"	12"	23"	30"	18"	0.5	35		
B	2' DIA	36"	36"	12"	23"	30"	18"	0.5	35		
C	2' DIA	36"	36"	12"	23"	30"	18"	0.5	35		
D	2' DIA	36"	36"	12"	23"	30"	18"	0.5	35		

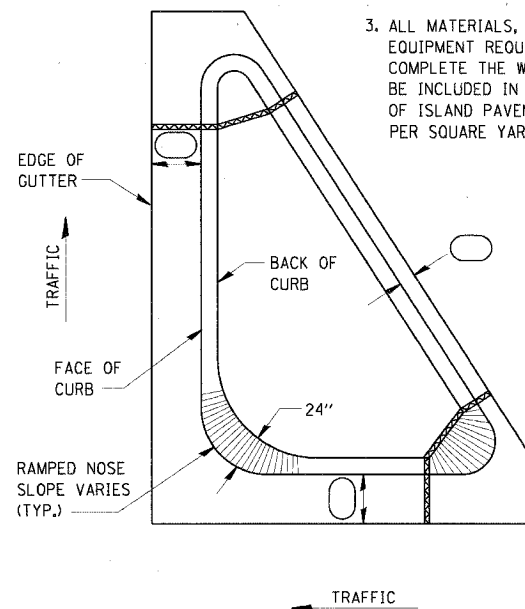
- Ⓐ 229+39.75, 53.1 LT
- Ⓑ 229+44.13, 53.1 LT
- Ⓒ 23977.07, 70.3 RT
- Ⓓ 240+07.79, 44.8 LT

COLLAR DETAIL (DIRECT PIPE CULVERT EXTENSION)

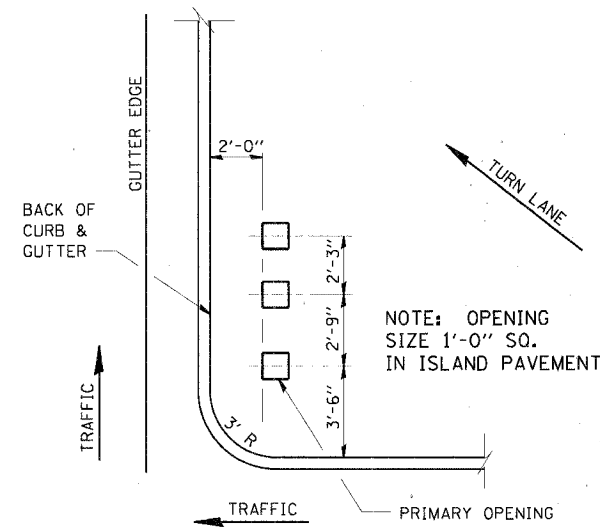
542-3

GENERAL NOTES:

1. THE CURB AND GUTTER CONFIGURATION SHALL BE M-.....
2. SEE STD. 606001 & AND 606301 FOR ADDITIONAL DETAILS.
3. ALL MATERIALS, LABOR, AND EQUIPMENT REQUIRED TO COMPLETE THE WORK SHALL BE INCLUDED IN THE COST OF ISLAND PAVEMENT (SPECIAL) PER SQUARE YARD.



606-1



ISLAND SIGN POST SPACING DETAIL

NOTE: THE ENGINEER SHALL DETERMINE THE NUMBER OF OPENINGS REQUIRED.

606-2

REVISIONS	
NAME	DATE

ILLINOIS DEPARTMENT OF TRANSPORTATION
IL ROUTE 89 OVER I-80

DISTRICT 3 DETAILS

SCALE: VERT. NONE
HORIZ. 1" = 20'
DATE: 08/10/07

DRAWN BY ACE/CAD
CHECKED BY TMH