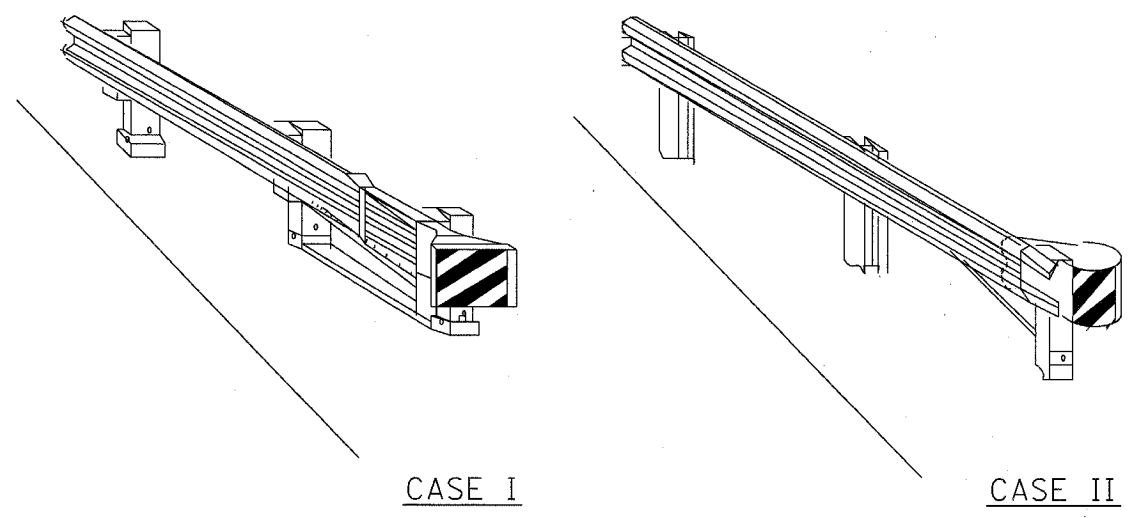
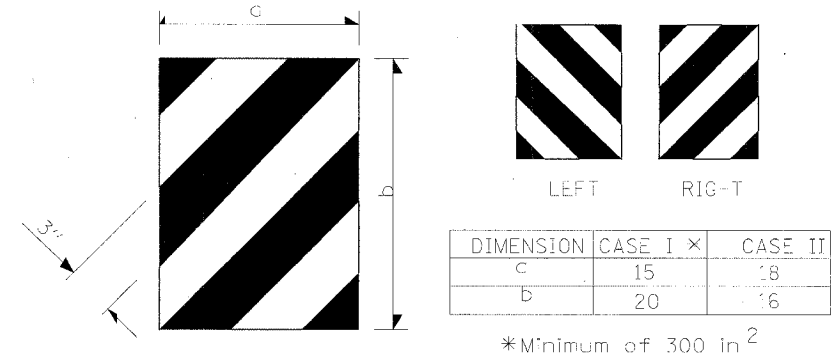


F.A.I. RTE.	SECTION	COUNTY	TOTAL SHEET SHEETS, NO.
80	06-BHR	BUREAU	165 120
STA.		TO STA.	
FED. ROAD DIST. NO. 3		ILLINOIS	FED. AID PROJECT



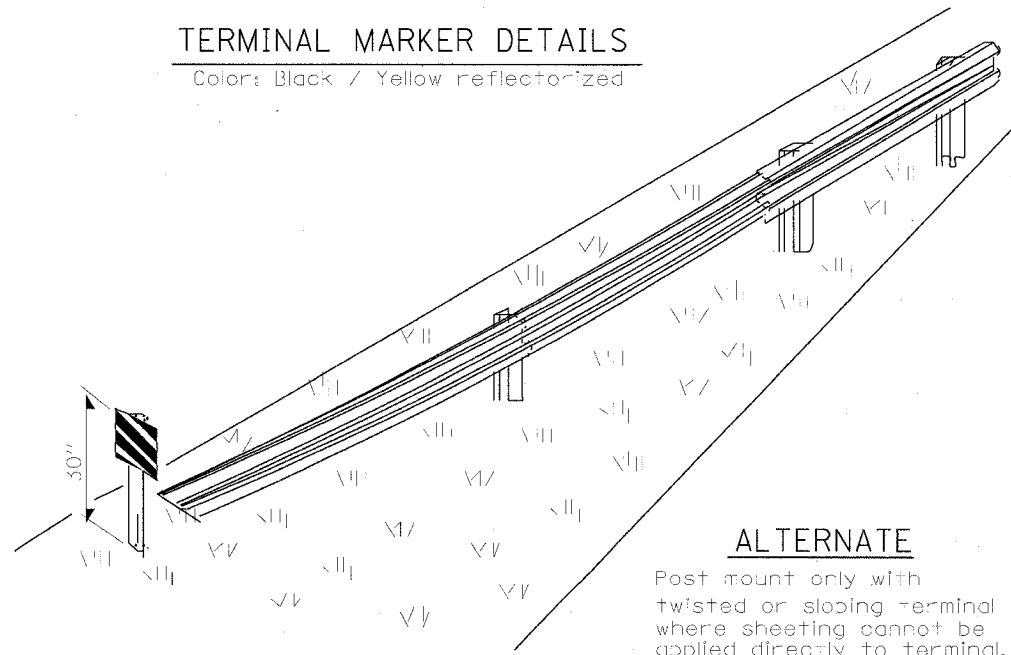
CASE I

CASE II



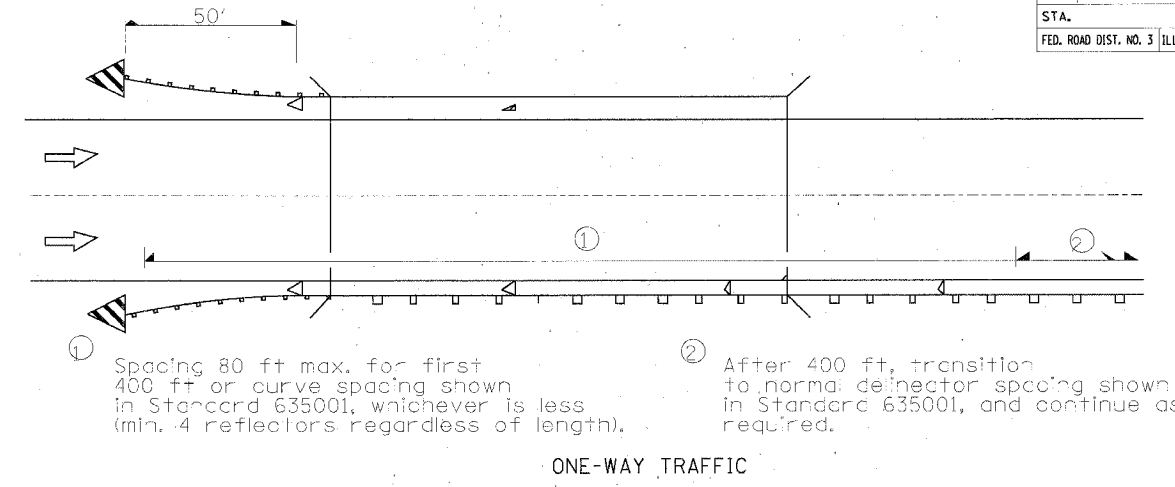
TERMINAL MARKER DETAILS

Color: Black / Yellow reflectorized

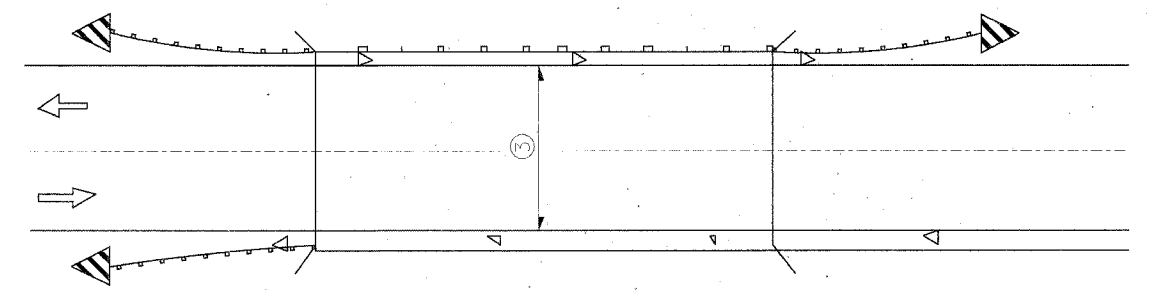


ALTERNATE

Post mount only with twisted or sloping terminal where sheeting cannot be applied directly to terminal.



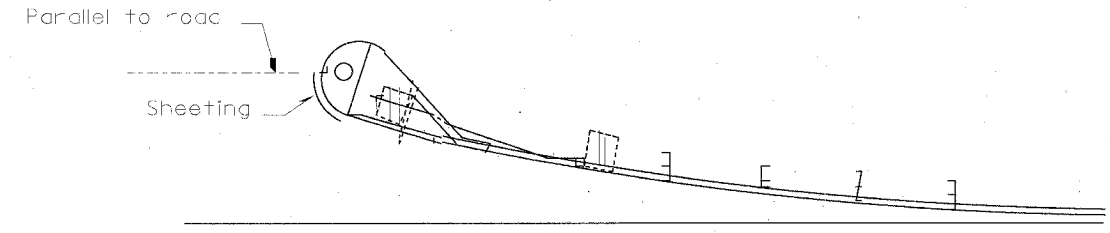
ONE-WAY TRAFFIC



TWO-WAY TRAFFIC

- ③ Bidirectional silver/silver should be used in lieu of monodirectional silver on both sides of two-lane bridges where the pavement is less than 24" wider than the pavement approaching the bridge.
- ◁ Monodirectional silver
- ▷ Monodirectional amber
- ▤ Terminal Marker - Black/Yellow Left or Right as appropriate

GUARDRAIL / BARRIER WALL / BRIDGE RAIL REFLECTORS



SHEETING POSITION: CASE II

635-1

REVISIONS	
NAME	DATE

ILLINOIS DEPARTMENT OF TRANSPORTATION
IL ROUTE 89 OVER I-80

DISTRICT 3 DETAILS

VERT. NONE
SCALE: HORIZ. 1" = 20'
DATE: 08/10/07

DRAWN BY ACE/CAD
CHECKED BY TMH

PLOT DATE: 8/10/2007
 FILE NAME: g:\projects\28514859_002\acad\89\bridge\07r.dwg
 PLOT SCALE: 5/8"=1'-0"
 USER NAME: zjzhang

