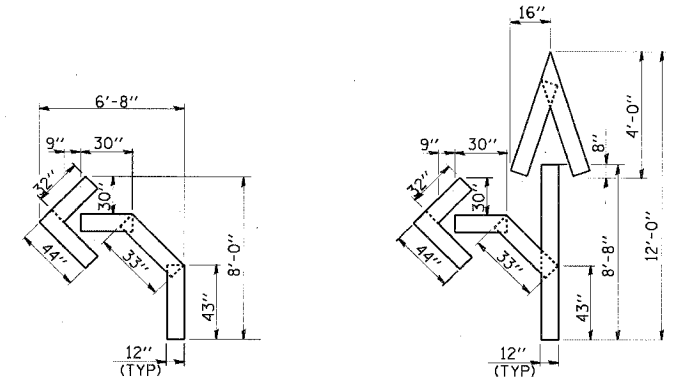
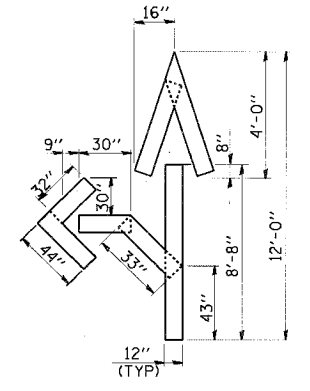


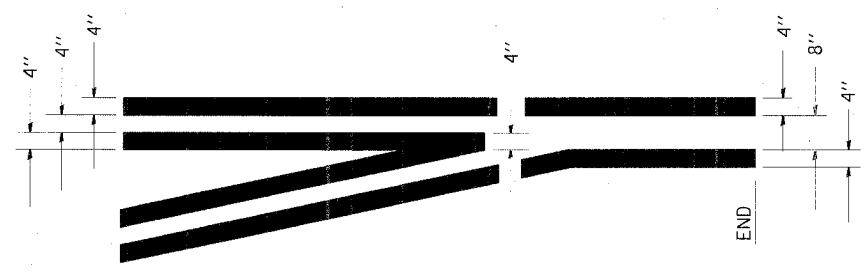
F.A.I. RTE.	SECTION	COUNTY	TOTAL SHEETS	SHEET NO.
80	06-8HBR	BUREAU	165	123
STA.		TO STA.		
FED. ROAD DIST. NO. 3		ILLINOIS FED. AID PROJECT		



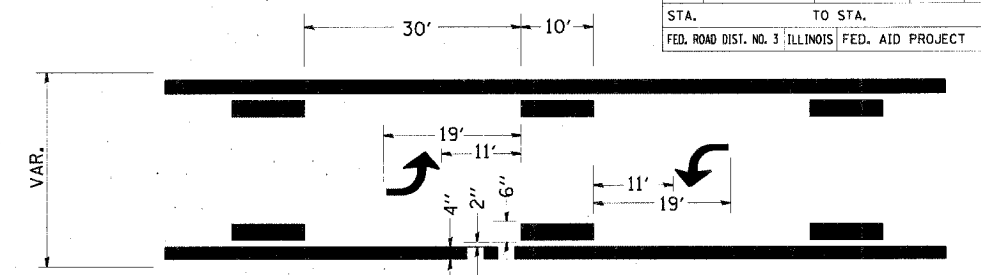
QUANTITY
12" LINE = 16 LIN. FT.
OR 4" LINE = 48 LIN. FT.



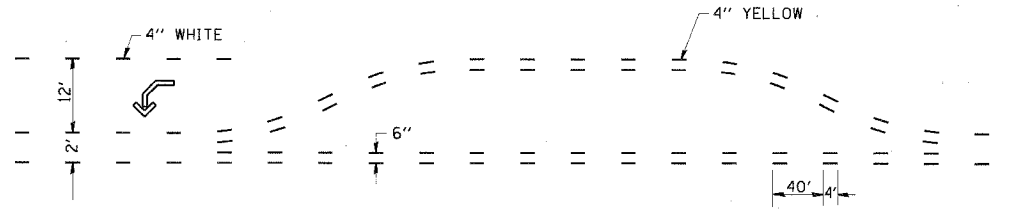
QUANTITY
12" LINE = 29 LIN. FT.
OR 4" LINE = 87 LIN. FT.



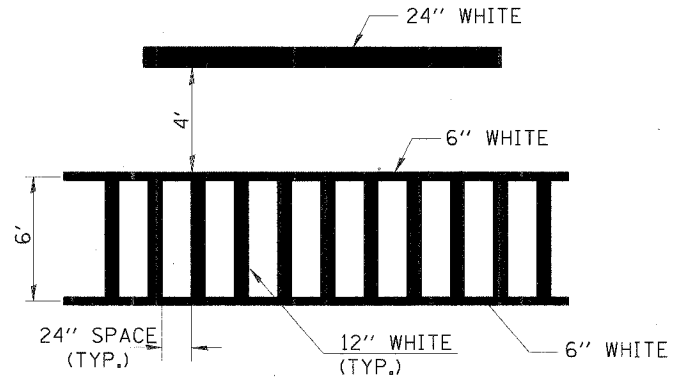
TYPICAL APPLICATION @ LEFT TURN LANES
780-1



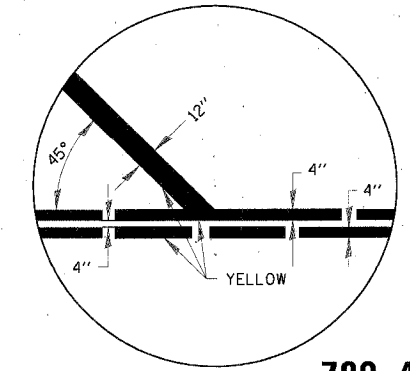
TYPICAL APPLICATION @ BI-DIRECTIONAL TURN LANE
780-2



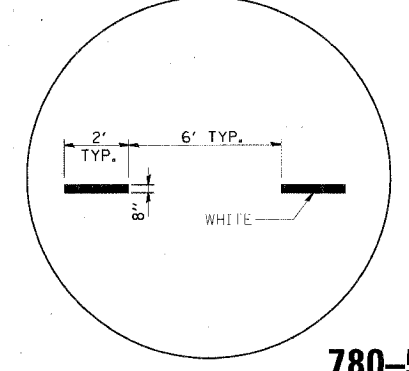
SHORT-TERM PAVEMENT MARKING FOR MEDIANS AND ARROWS
703-1



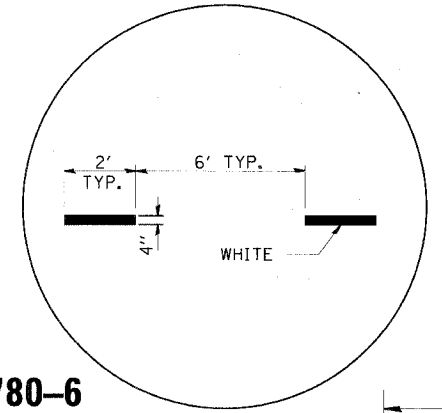
TYPICAL SPACING DETAIL FOR CROSSWALKS AND STOP BARS
780-3



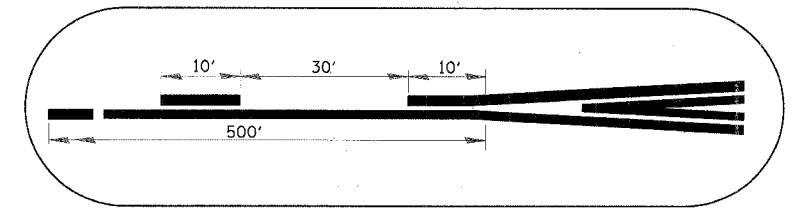
780-4



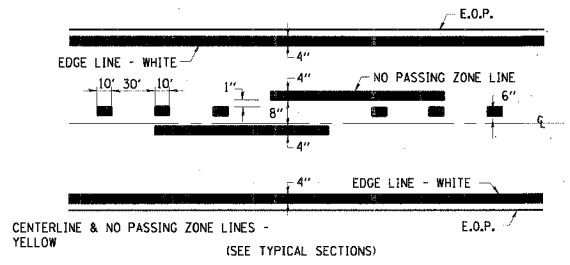
780-5



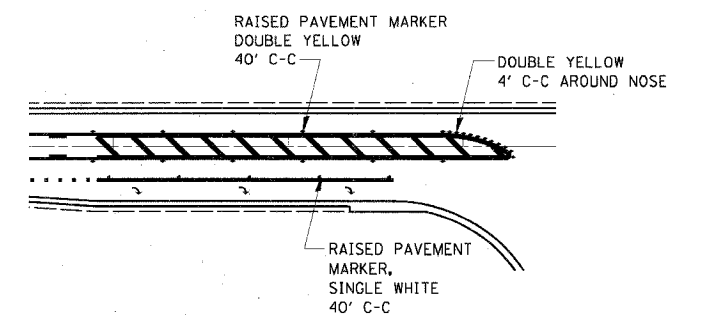
780-6



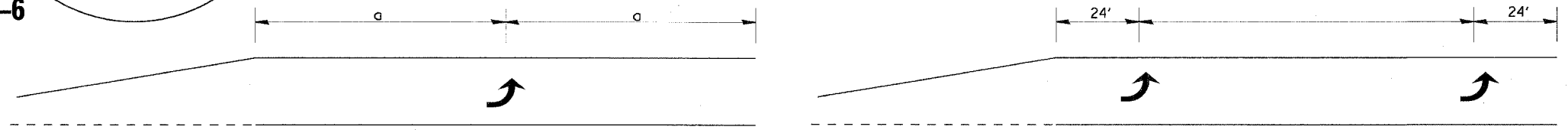
780-7



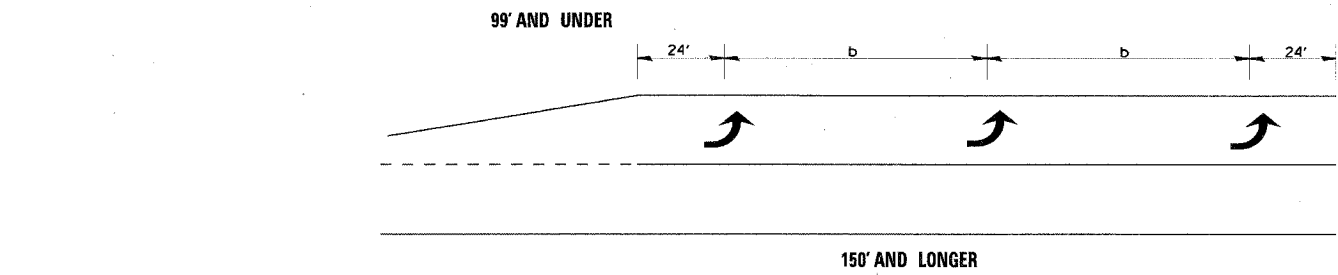
PAVEMENT MARKING
780-8



RAISED REFLECTIVE PAVEMENT MARKERS @ RIGHT TURN LANE
781-1



TYPICAL PLACEMENT OF ARROWS IN TURN LANES
780-10



REVISIONS	
NAME	DATE

ILLINOIS DEPARTMENT OF TRANSPORTATION
IL ROUTE 89 OVER I-80

DISTRICT 3 DETAILS

SCALE: VERT. NONE
HORIZ. 1" = 20'
DATE: 08/10/07

DRAWN BY ACE/CAD
CHECKED BY TMH

PLOT DATE = 8/17/2007
FILE NAME = s:\projects\12554889_0802\cadd\89route\118-ds
PLOT SCALE = 80.00 / IN.
USER NAME = s:\admin

