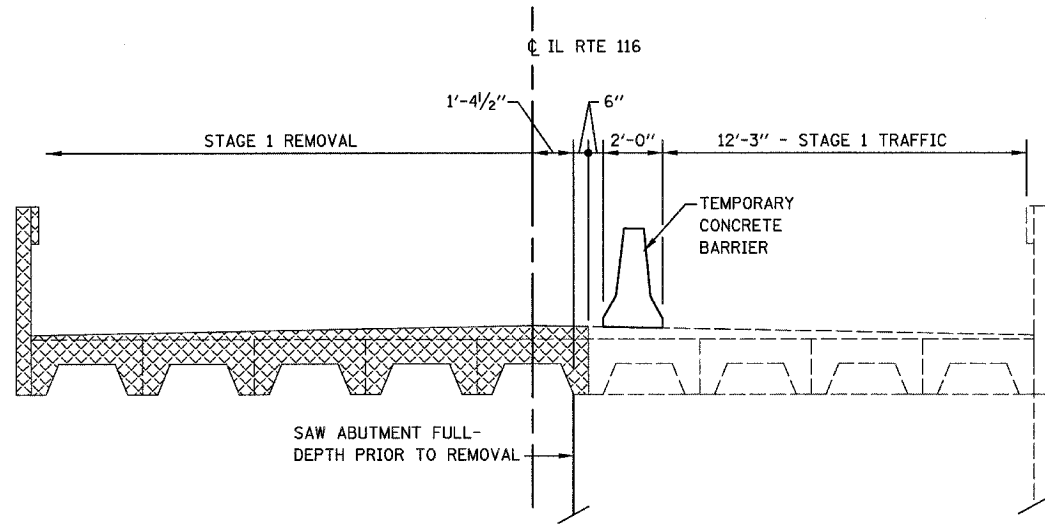


F.A.P. RTE.	SECTION	COUNTY	TOTAL SHEETS	SHEET NO.
681	115 BR	LIVINGSTON	32	9
STA.		TO STA.		
FED. ROAD DIST. NO.		ILLINOIS FED. AID PROJECT		

STAGE CONSTRUCTION GENERAL NOTES

1. ALL TRAFFIC CONTROL DEVICES SHALL BE FURNISHED, ERECTED AND MAINTAINED BY THE CONTRACTOR.
2. ALL SIGNS NOT ATTACHED TO BARRICADES SHALL BE POST MOUNTED.
3. ONE LANE OF TRAFFIC ON ILLINOIS ROUTE 116 SHALL BE MAINTAINED AT ALL TIMES.
4. THE FURNISHING, PLACEMENT AND REMOVAL OF THE TYPE C BI-DIRECTIONAL REFLECTORS SHALL BE INCLUDED IN THE COST OF "TRAFFIC CONTROL AND PROTECTION, STANDARD 701321."
5. EMERGENCY ACCESS SHALL BE PROVIDED AT ALL TIMES.
6. EXISTING CENTERLINE AND EDGE LINE MARKINGS WHICH CONFLICT WITH THE PROPOSED TRAFFIC PATTERN SHALL BE REMOVED. THE COST OF WHICH WILL BE PAID FOR AS "PAVEMENT MARKING REMOVAL."
7. THE BOTTOM 6" OF THE TRAFFIC FACE OF THE TEMPORARY CONCRETE BARRIER SHALL BE PAINTED WITH WHITE TEMPORARY PAVEMENT MARKING PAINT. THE WORK SHALL NOT BE PAID FOR SEPARATELY, BUT INCLUDED IN THE COST OF "TEMPORARY CONCRETE BARRIER."



STAGE 1 CONSTRUCTION TYPICAL SECTION
(LOOKING WEST @ STRUCTURE)

SUGGESTED STAGE CONSTRUCTION

SUGGESTED STAGE 1

PHASE 1

1. UTILIZING TRAFFIC CONTROL AND PROTECTION, STANDARD 701301, CONSTRUCT THE PROPOSED FIELD ENTRANCE ON THE NORTH SIDE OF FAP ROUTE 681 AT STA. 133+78.
2. ERECT TYPE 3 BARRICADES ACROSS THE ENTRANCE ON THE NORTH SIDE OF FAP ROUTE 681 AT STA. 129+04.

PHASE 2

1. UTILIZING TRAFFIC CONTROL AND PROTECTION, STANDARD 701326, CONSTRUCT THE HMA BASE COURSE WIDENING, 8" ON THE NORTH SIDE OF THE ROADWAY.

PHASE 3

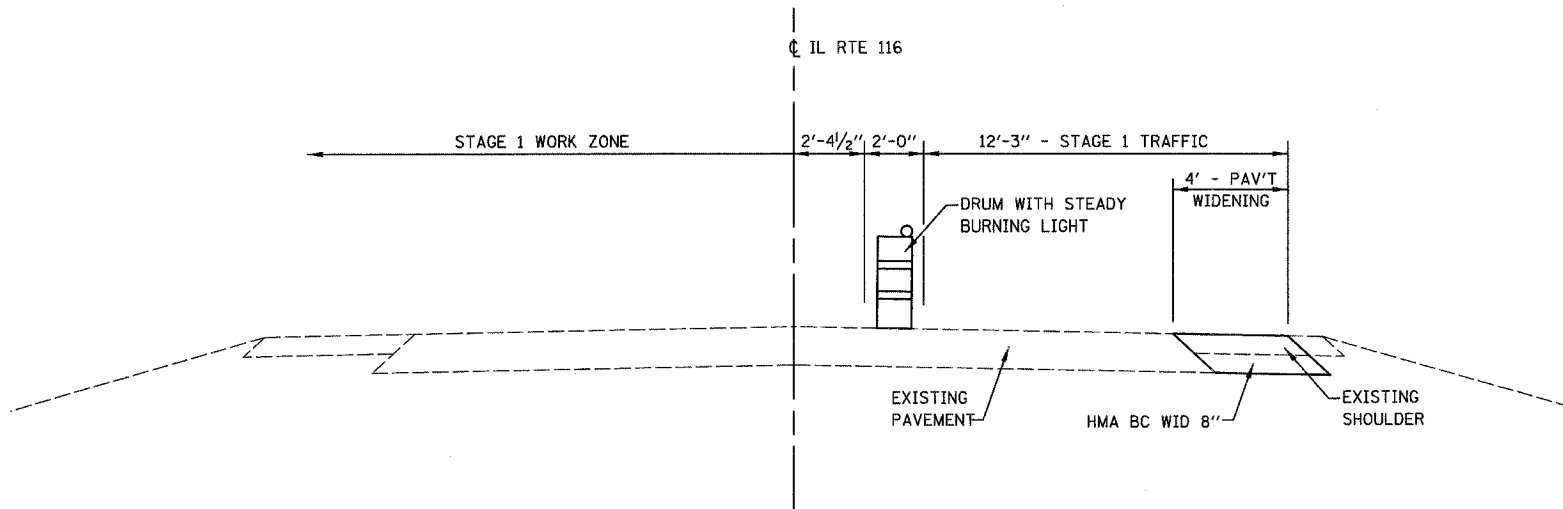
1. UTILIZING TRAFFIC CONTROL AND PROTECTION, STANDARD 701321, DIRECT TRAFFIC ON THE WESTBOUND LANES OF FAP ROUTE 681. REMOVE THE SOUTHERN PORTION OF THE EXISTING STRUCTURE.
2. CONSTRUCT THE SOUTHERN PORTION OF THE BOX CULVERT AND THE RELOCATED FIELD TILE.
3. CONSTRUCT THE PROPOSED BASE COURSE FOR THE EASTBOUND LANE OF FAP ROUTE 681 FROM STA. 125+75 TO STA. 126+25.
4. COMPLETE HMA SURFACE REMOVAL, 1/2" FOR THE EASTBOUND LANE OF FAP ROUTE 681 FROM STA. 121+50 TO STA. 125+75 AND FROM STA. 126+25 TO STA. 133+15.
5. CONSTRUCT THE PROPOSED BINDER COURSE FOR THE EASTBOUND LANE OF FAP ROUTE 681 FROM STA. 121+50 TO STA. 125+75 AND FROM STA. 126+25 TO STA. 133+15.
6. CONSTRUCT THE HMA BASE COURSE WIDENING, 8" ON THE SOUTH SIDE OF FAP ROUTE 681 FROM STA. 121+85 TO STA. 133+15.
7. TEMPORARY PAVEMENT MARKING.

SUGGESTED STAGE 2

1. UTILIZING TRAFFIC CONTROL AND PROTECTION, STANDARD 701321, DIRECT TRAFFIC ON THE EASTBOUND LANES OF FAP ROUTE 681.
2. REMOVE THE NORTHERN PORTION OF THE EXISTING STRUCTURE.
3. CONSTRUCT THE NORTHERN PORTION OF THE BOX CULVERT AND THE RELOCATED FIELD TILE.
4. REMOVE THE WIDENING AS REQUIRED ON THE NORTH SIDE OF THE FAP ROUTE 681 AND THE BARRICADES ACROSS THE ENTRANCE AT STA. 129+04.
5. CONSTRUCT THE PROPOSED BASE COURSE FOR THE WESTBOUND LANE OF FAP ROUTE 681 FROM STA. 125+75 TO STA. 126+25.
6. COMPLETE HMA SURFACE REMOVAL, 1/2" FOR THE WESTBOUND LANE OF FAP ROUTE 681 FROM STA. 121+50 TO STA. 125+75 AND FROM STA. 126+25 TO STA. 133+15.
7. CONSTRUCT THE PROPOSED BINDER COURSE FOR THE WESTBOUND LANE OF FAP ROUTE 681 FROM STA. 121+50 TO STA. 125+75 AND FROM STA. 126+25 TO STA. 133+15.
8. OPEN BOTH LANES OF FAP 681 TO TRAFFIC.

SUGGESTED STAGE 3

1. UTILIZING TRAFFIC CONTROL AND PROTECTION, STANDARD 701306, CONSTRUCT THE PROPOSED SURFACE COURSE FOR BOTH LANES OF FAP ROUTE 681 FROM STA. 121+50 TO STA. 133+15.
2. UTILIZING TRAFFIC CONTROL AND PROTECTION, STANDARD 701326, REMOVE THE WIDENING ON THE SOUTH SIDE OF FAP ROUTE 681 FROM STA. 121+85 TO STA. 133+15 AND CONSTRUCT THE PROPOSED AGGREGATE SHOULDER ON THE SOUTH SIDE OF FAP ROUTE 681 FROM STA. 121+50 TO STA. 133+15.
3. UTILIZING TRAFFIC CONTROL AND PROTECTION, STANDARD 701326, CONSTRUCT THE PROPOSED AGGREGATE SHOULDER ON THE NORTHSIDE OF FAP ROUTE 681 FROM STA. 121+50 TO STA. 133+15.
4. UTILIZING TRAFFIC CONTROL AND PROTECTION, STANDARD 701311, CONSTRUCT THE FINAL PAVEMENT MARKING.



STAGE 1 CONSTRUCTION TYPICAL SECTION
(LOOKING WEST @ APPROACH)

REVISIONS	
NAME	DATE

ILLINOIS DEPARTMENT OF TRANSPORTATION

STAGE CONSTRUCTION & TRAFFIC CONTROL

FAP ROUTE 681
SECTION 115 BR
LIVINGSTON COUNTY

PLOT DATE = 8/20/2007
 FILE NAME = H:\P\26064\F1.dwg
 PLOT SCALE = 28.0000 / IN.
 USER NAME = MUSER