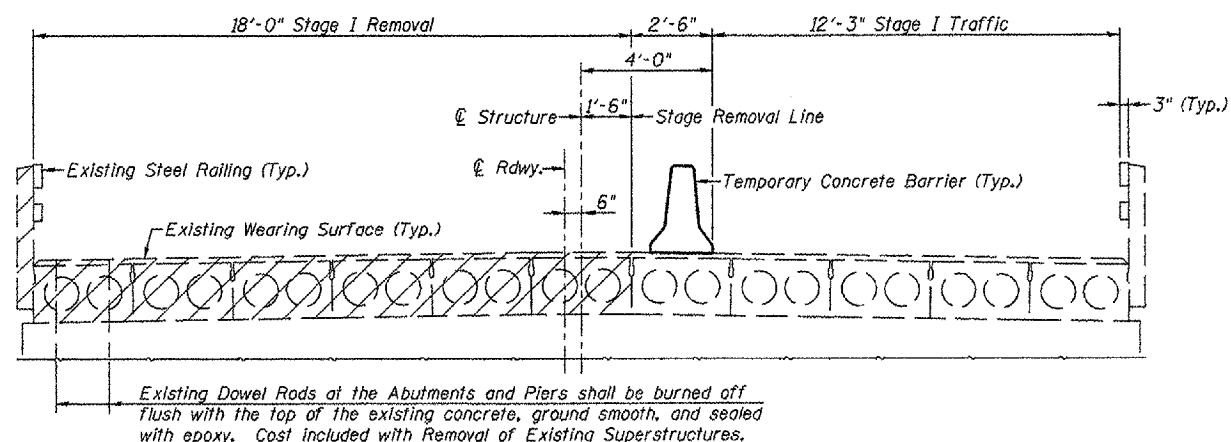
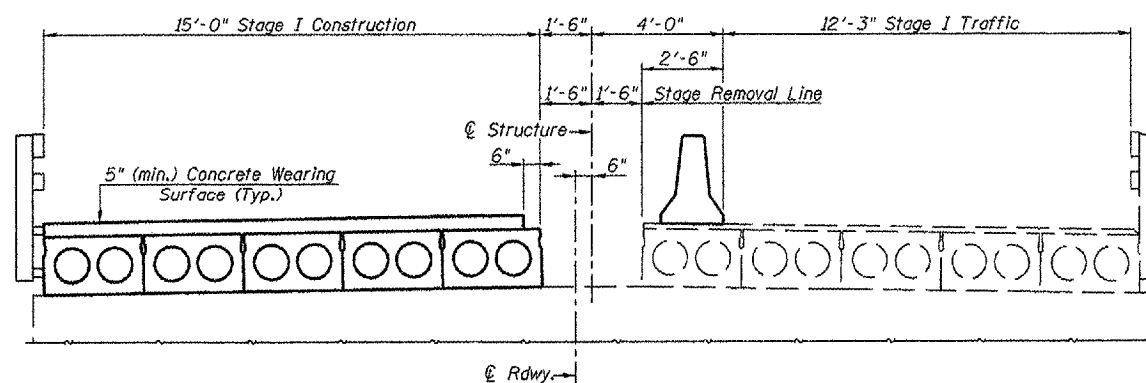


CONTRACT NO. 68468				
F.A.P. RTE.	SECTION	COUNTY	TOTAL SHEETS	SHEET NO.
317	(18B)I	FULTON	50	13
STA. 252+75		TO STA. 262+40		
FED. ROAD DIST. NO. 4		ILLINOIS FED. AID PROJECT		

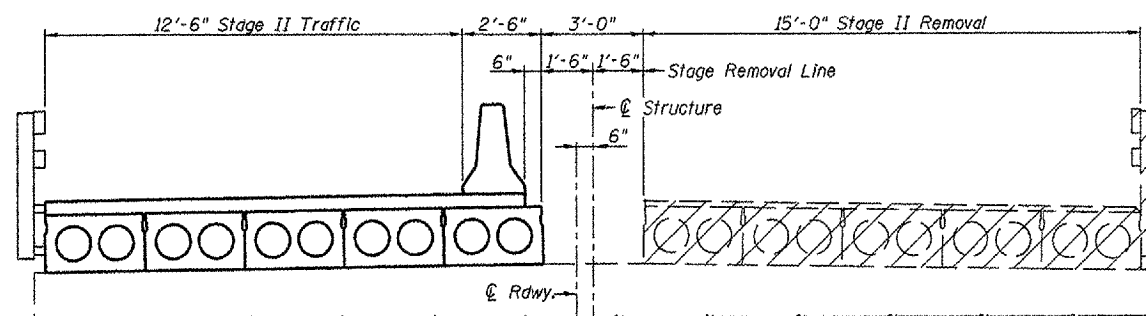
SHEET NO. 3
OF 16 SHEETS



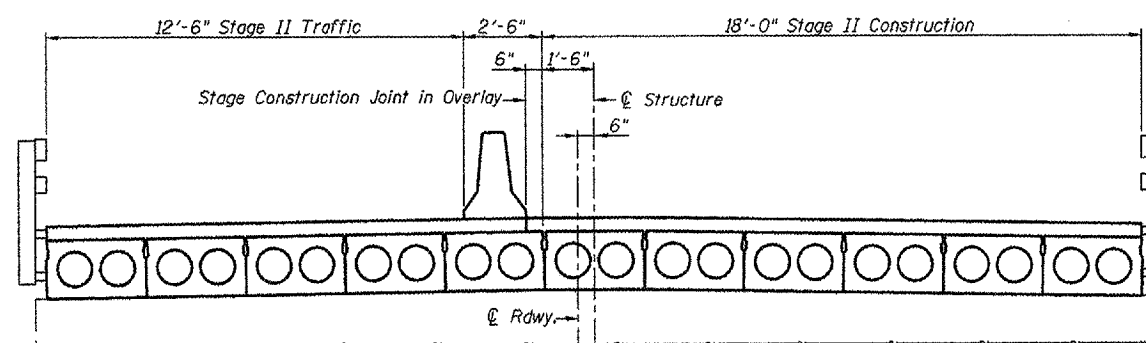
STAGE I REMOVAL



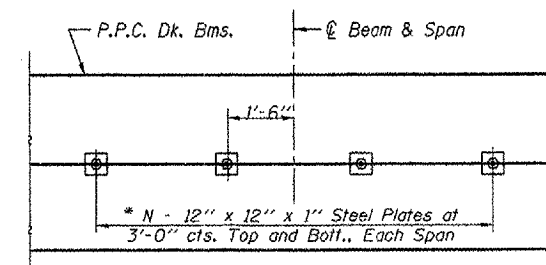
STAGE I CONSTRUCTION



STAGE II REMOVAL

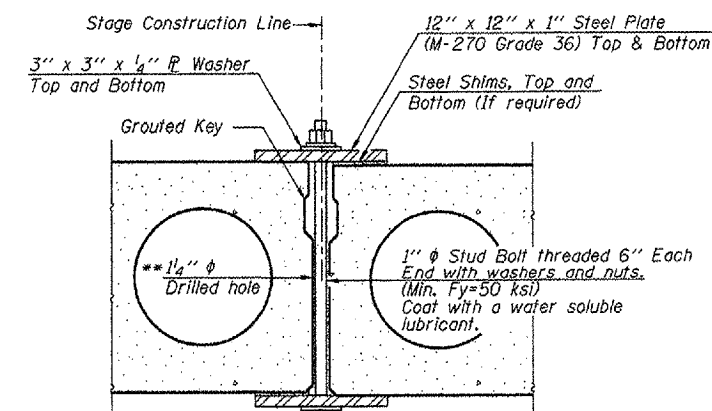


STAGE II CONSTRUCTION

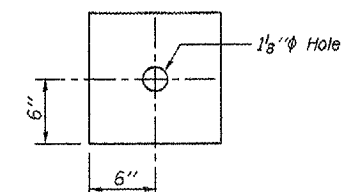


N = 8 For Spans 1 & 2
N = 10 For Spans 3 & 4
N = 6 For Span 5

PLAN AT STAGE CONSTRUCTION LINE



SECTION



CLAMPING PLATE

SHEAR KEY CLAMPING DETAILS AT STAGE CONST. JT.

See Article 504.06(d) of the Standard Specifications for Stage Construction of Precast Prestressed Concrete Deck Beams.
Cost Included with Precast Prestressed Concrete Deck Beams.
See Stage Construction Details for traffic lanes.

** As an alternate to the drilled holes, the Contractor may request the Fabricator to cast 2" diameter semi-circular recesses in the sides of each beam adjacent to the stage construction line. These recesses should align to form a hole at the appropriate locations for the clamping device bolts. If the Contractor elects to use this alternate, the details shall be identified on the shop drawings.

Notes:

All Cross Sections are looking South.
Hatched area indicates "Removal of Existing Superstructures."
Cost of removal of the existing wearing surface and steel railing is included with "Removal of Existing Superstructures."
For quantity of Temporary Concrete Barrier, see Roadway Plans.
For Temporary Concrete Barrier details, see Sheet 4 of 16.

STAGE CONSTRUCTION DETAILS
F.A.P. ROUTE 317 (U.S. 24)
OVER OTTER CREEK
SECTION (18B)I
FULTON COUNTY
STATION 257+54.33
STRUCTURE NO. 029-0005

PLOT DATE = 8/20/85
FILM, NAME = RFILEL