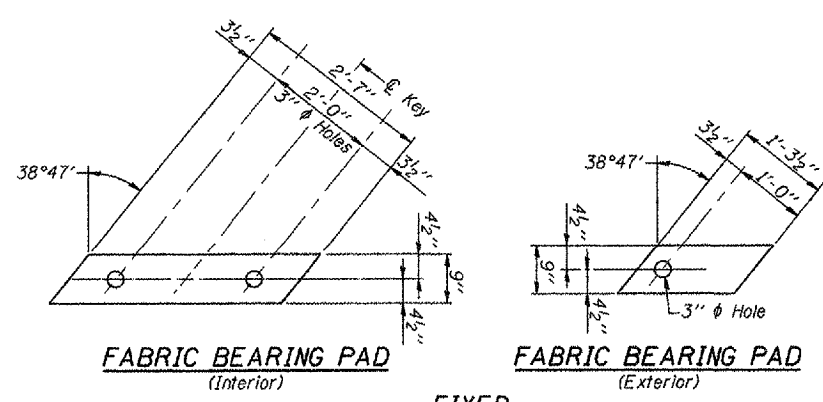


F.A.P. RTE.	SECTION	COUNTY	TOTAL SHEETS	SHEET NO.
317	(18B)I	FULTON	50	17
STA. 252+75		TO STA. 262+40		
FED. ROAD DIST. NO. 4 ILLINOIS FED. AID PROJECT				

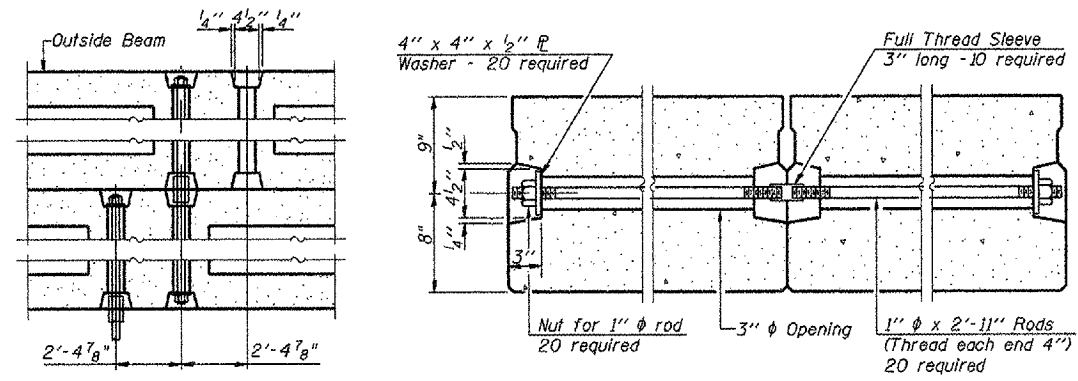
SHEET NO. 7 OF 16 SHEETS



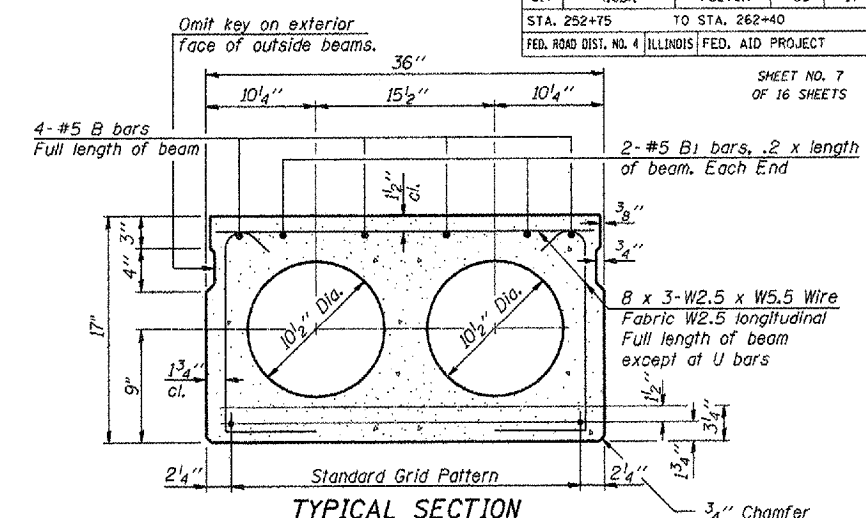
FABRIC BEARING PAD
(Interior)

FABRIC BEARING PAD
(Exterior)

FIXED

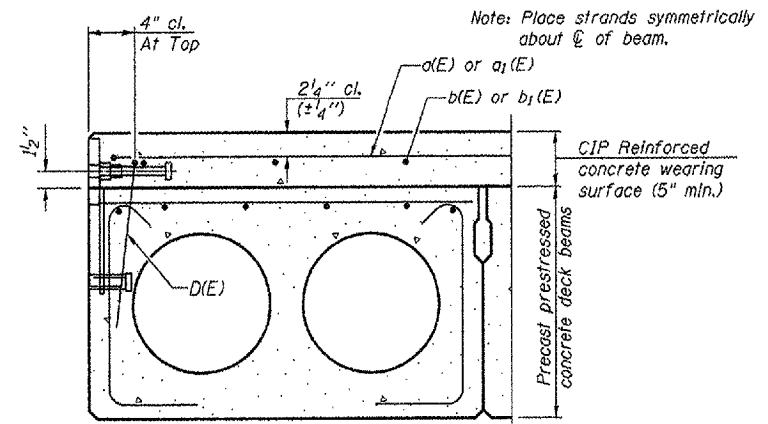


TYPICAL TRANSVERSE TIE ASSEMBLY



TYPICAL SECTION

15 - 1/2" ϕ Strands, Each Strand Stressed to 30,900 Lbs.
9-Strands 1 3/4" up, 4-Strands 3/4" up, 2-Strands 12" up



FASCIA BEAM

Notes:
The rail anchorage shall be cast with the beam and the wearing surface shall be cast in the field. Formwork necessary for the wearing surface may be secured utilizing the bottom rail anchorage inserts and or additional inserts cast into the beam. Drilling into the beam will not be permitted.

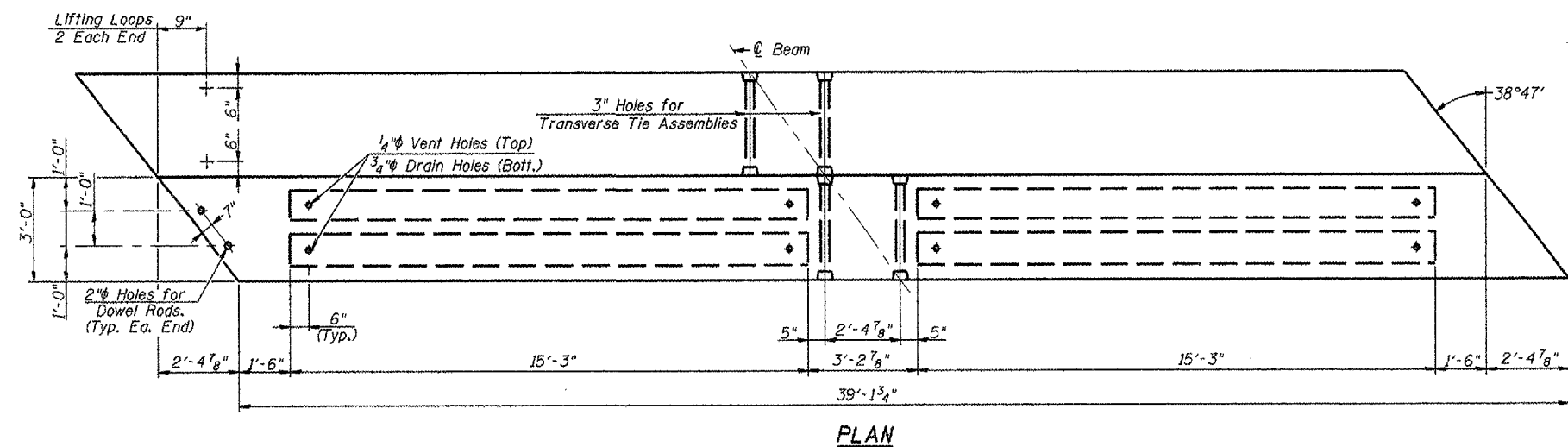
NOTES

Prestressing steel shall be uncoated high strength, low relaxation 7-wire strand, Grade 270. The nominal diameter shall be 1/2" and the nominal cross-sectional area shall be 0.153 sq. in. Lifting loops shall be 2'-2" ϕ - 270 ksi strands, as shown. Non prestressing steel shall conform to ASTM A 706 Grade 60. (IL Modified). See Special Provisions.
The bearing seat surfaces shall be adjusted by shimming to assure firm and even bearing. Two 1/8" fabric adjusting shims of the dimensions of the Exterior Bearing Pad shall be provided for each bearing.
Keyway surfaces shall be cleaned to remove form oil or other bond breaking material prior to shipment of the beams. Cleaning shall be done by sandblasting the keyway areas between top of the beam and the bottom edge of the key.
Corrosion inhibitor, according to Article 1020.05(b)(12) of the Standard Specifications, shall be used in the concrete for precast prestressed concrete deck beams.
Required Release Strength, f'cl, shall be 4000 p.s.i.
See Sheet 9 of 16 for rail anchorage locations.
The 1" ϕ rods in the transverse tie assembly shall be tightened to a snug fit and the threads set. Pockets that receive transverse tie bar on outside shall be filled with grout after transverse assembly is in place.

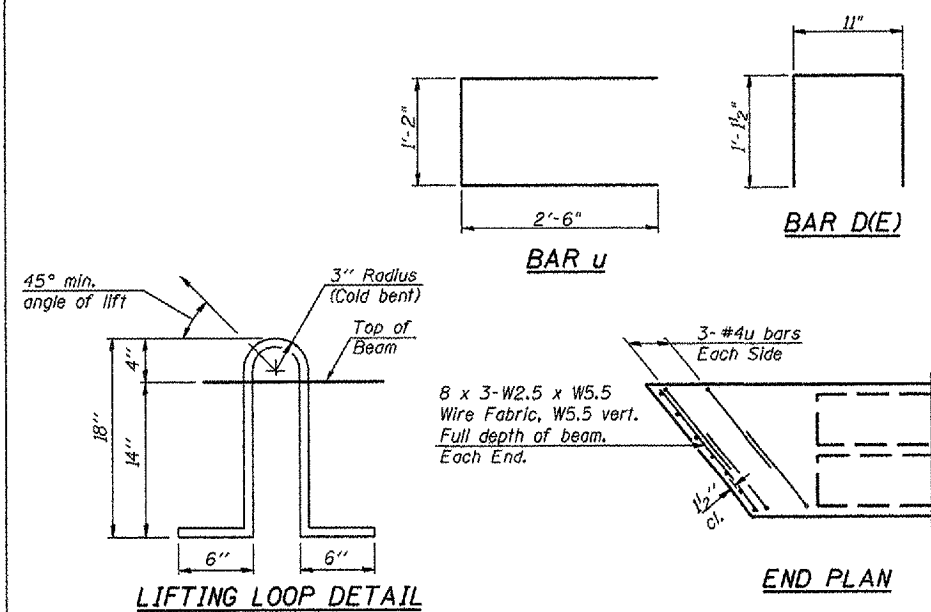
BILL OF MATERIAL

Precast Prestressed Conc. Deck Bms. (17" Depth)	Sq. Ft.	1292
---	---------	------

DECK BEAM DETAILS - SPAN 5
F.A.P. ROUTE 317 - (U.S. 24)
OVER OTTER CREEK
SECTION (18B)I
FULTON COUNTY
STA. 257+54.33
STRUCTURE NO. 029-0005

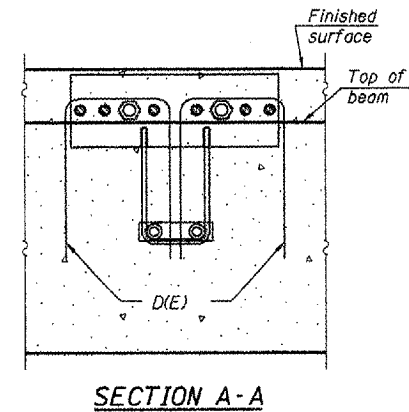


PLAN

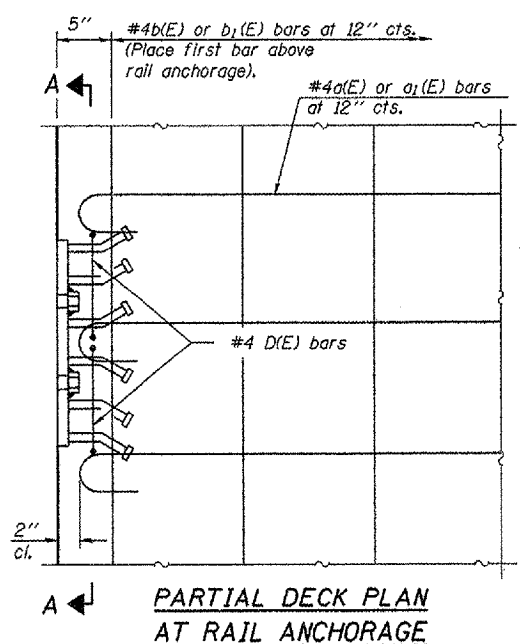


LIFTING LOOP DETAIL

END PLAN



SECTION A-A



PARTIAL DECK PLAN AT RAIL ANCHORAGE

PLOT DATE: 8/24/88
FILE NAME: 88FULE18
MODEL NAME: 88DECKBEAM5