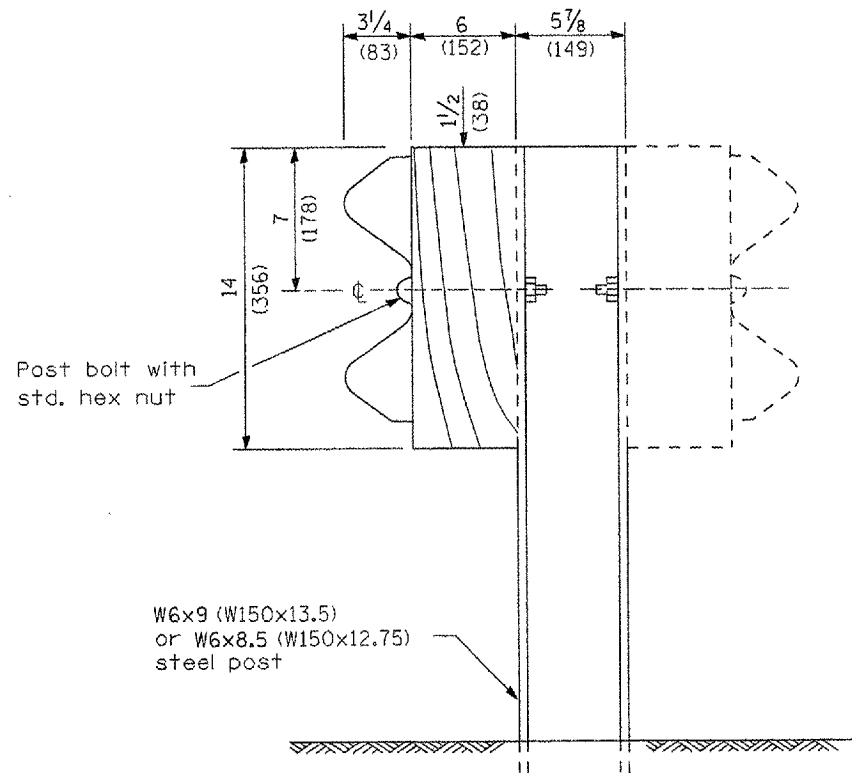
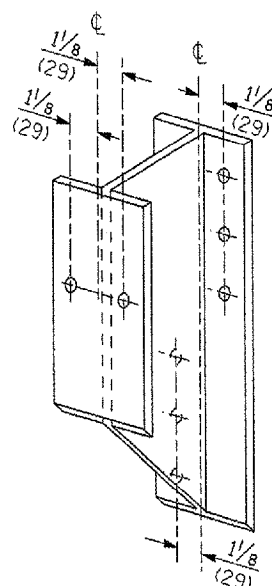


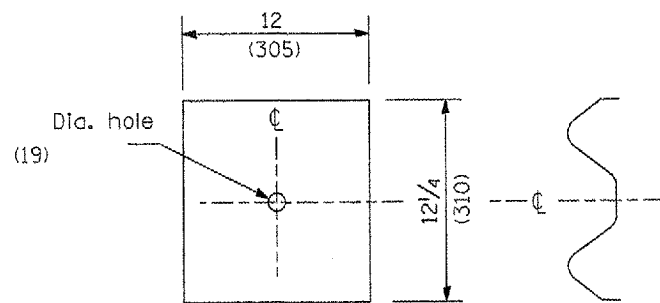
F.A.P. RTE.	SECTION	COUNTY	TOTAL SHEETS	SHEET NO.
317	(188)	FULTON	50	33
STA. 252+75		TO STA. 262+40		
FED. ROAD DIST. NO.		ILLINOIS FED. AID PROJECT		



STEEL POST CONSTRUCTION



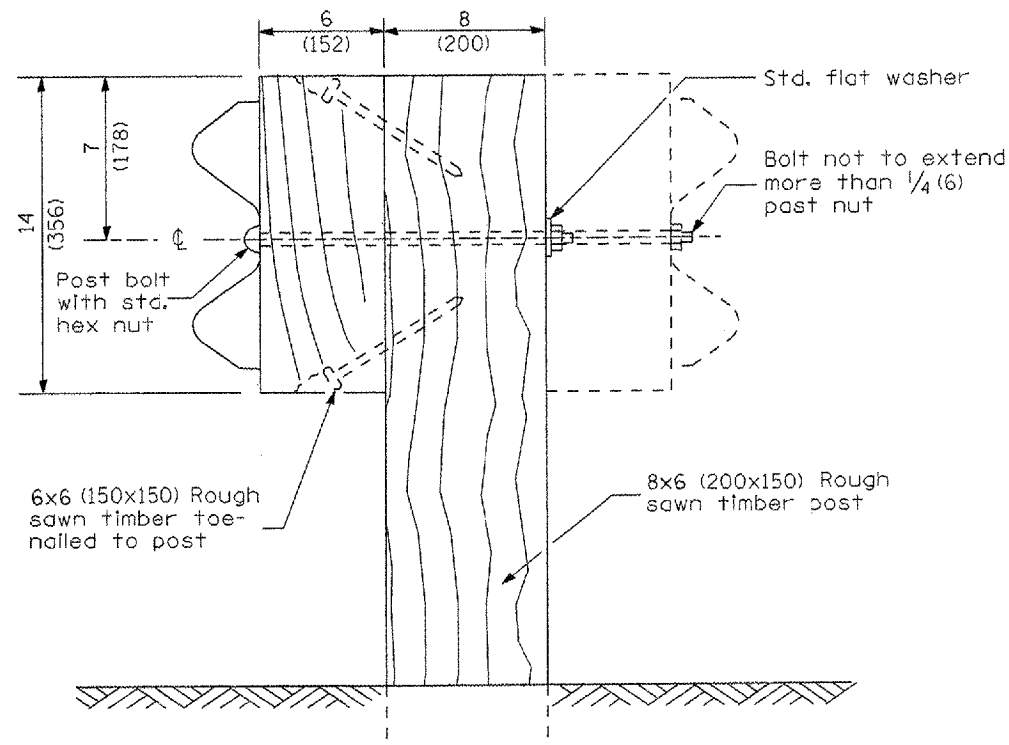
STEEL BLOCK-OUT DETAIL



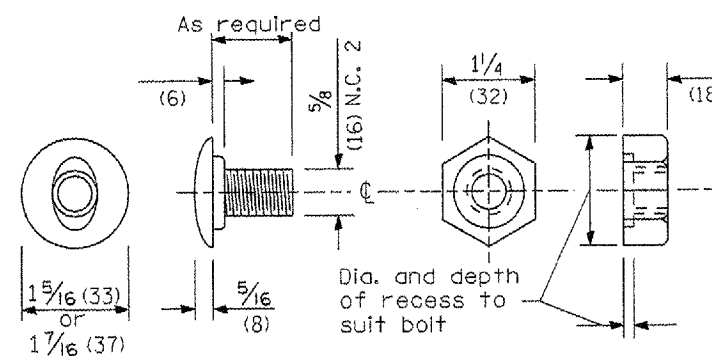
NOTE

Plate A shall be placed between rail element and block-out at non-splice mounting points only when steel block-outs are used.

PLATE A



WOOD POST CONSTRUCTION



POST OR SPLICE BOLT & NUT

All dimensions are in inches (millimeters) unless otherwise noted.

ILLINOIS DEPARTMENT OF TRANSPORTATION  
DISTRICT CADD STANDARD

REMOVE AND REERECT  
STEEL PLATE BEAM GUARDRAIL

CADD STD. 630011-D4(2) SHEET 2 OF 4  
SCALE: NOT DRAWN TO SCALE DRAWN BY: CADD  
DATE CHECKED BY: