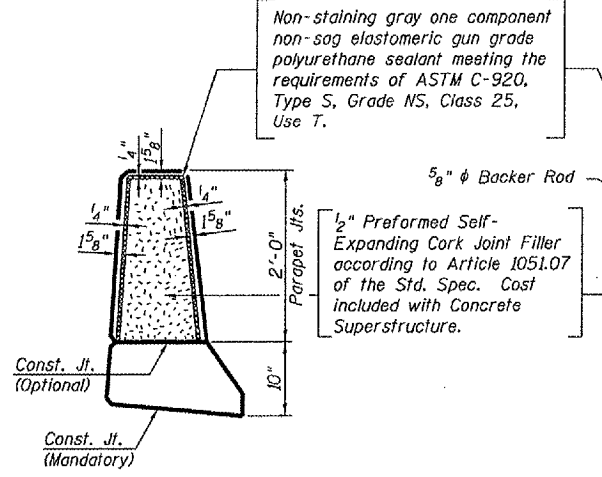
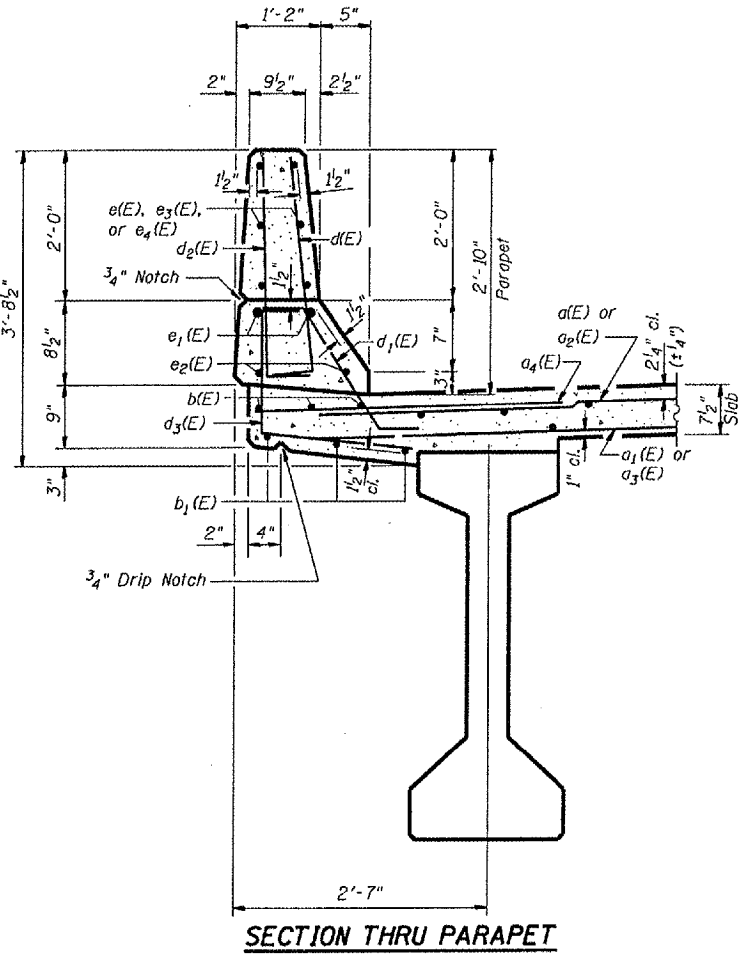


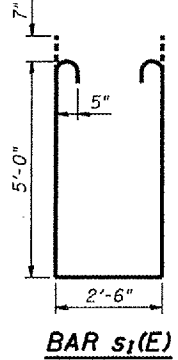
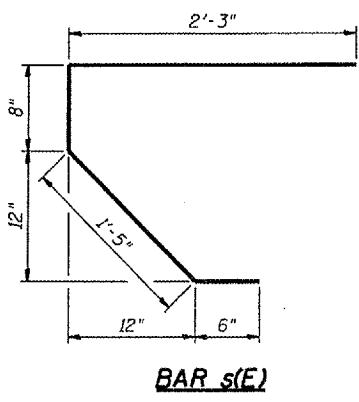
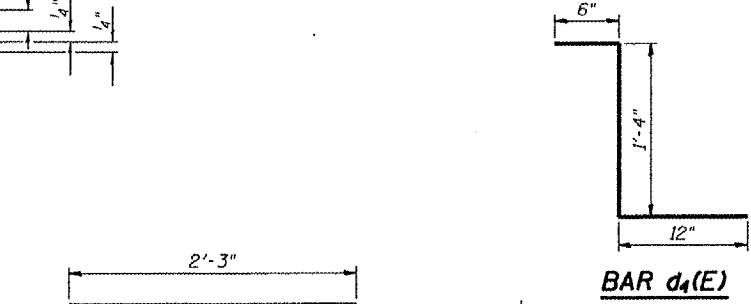
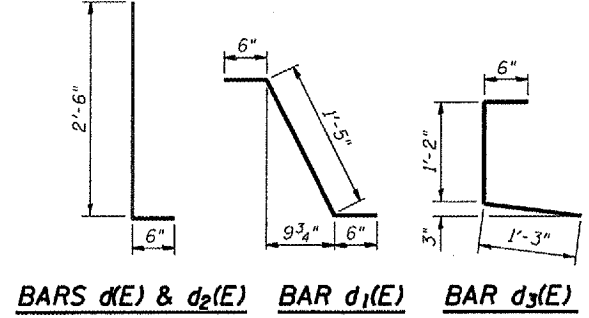
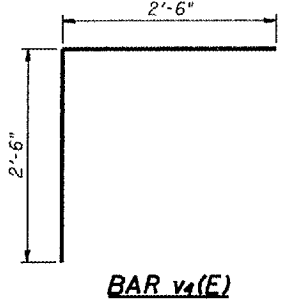
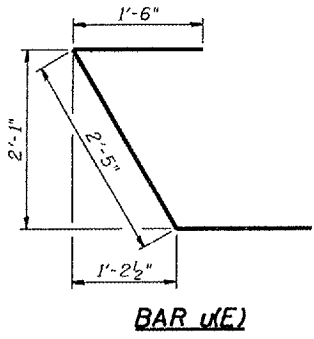
**SUPERSTRUCTURE
BILL OF MATERIAL**

Bar	No.	Size	Length	Shape
d(E)	157	#5	15'-7"	—
d1(E)	118	#5	14'-7"	—
d2(E)	157	#5	20'-7"	—
d3(E)	118	#5	19'-7"	—
d4(E)	158	#6	6'-0"	—
d5(E)	4	#6	18'-0"	—
d6(E)	4	#6	23'-10"	—
b(E)	80	#5	50'-0"	—
b1(E)	90	#5	34'-0"	—
d(E)	214	#5	3'-0"	—
d1(E)	202	#5	2'-5"	—
d2(E)	196	#4	3'-0"	—
d3(E)	196	#5	2'-11"	—
d4(E)	12	#5	2'-10"	—
e(E)	48	#4	19'-3"	—
e1(E)	12	#8	35'-5"	—
e2(E)	12	#5	33'-10"	—
e3(E)	6	#4	19'-11"	—
e4(E)	6	#4	18'-7"	—
m(E)	4	#6	22'-7"	—
m1(E)	4	#6	17'-0"	—
m2(E)	8	#6	24'-0"	—
m3(E)	8	#6	18'-3"	—
m4(E)	12	#5	7'-0"	—
m5(E)	18	#5	8'-4"	—
m6(E)	6	#5	7'-3"	—
m7(E)	6	#6	6'-11"	—
m8(E)	4	#6	1'-4"	—
m9(E)	12	#6	3'-8"	—
s(E)	60	#6	4'-10"	—
s1(E)	60	#5	13'-8"	—
u(E)	20	#4	5'-5"	—
v4(E)	70	#5	5'-0"	—
Reinforcement Bars, Epoxy Coated	Pound		26,600	
Concrete Superstructure	Cu. Yd.		167.4	
Bar Splacers	Each		367	
Bridge Deck Grooving	Sq. Yd.		349	

BAR	LAP
#4	1'-8"
#5	2'-2"
#6	2'-7"
#7	3'-5"
#8	4'-6"



PARAPET JOINT DETAILS



NOTES:
 Reinforcement bars designated (E) shall be epoxy coated.
 Bars indicated thus 1 x 3-#8 etc. indicates 1 line of bars with 3 lengths per line.

PARAPET DETAILS
 F.A.P. 310 SECTION (41A)BR-1
 U.S. ROUTE 67 OVER GRINDSTONE CREEK
 McDONOUGH COUNTY
 STA. 454+20 (S.N. 055-0049)
 WHA # 1050003