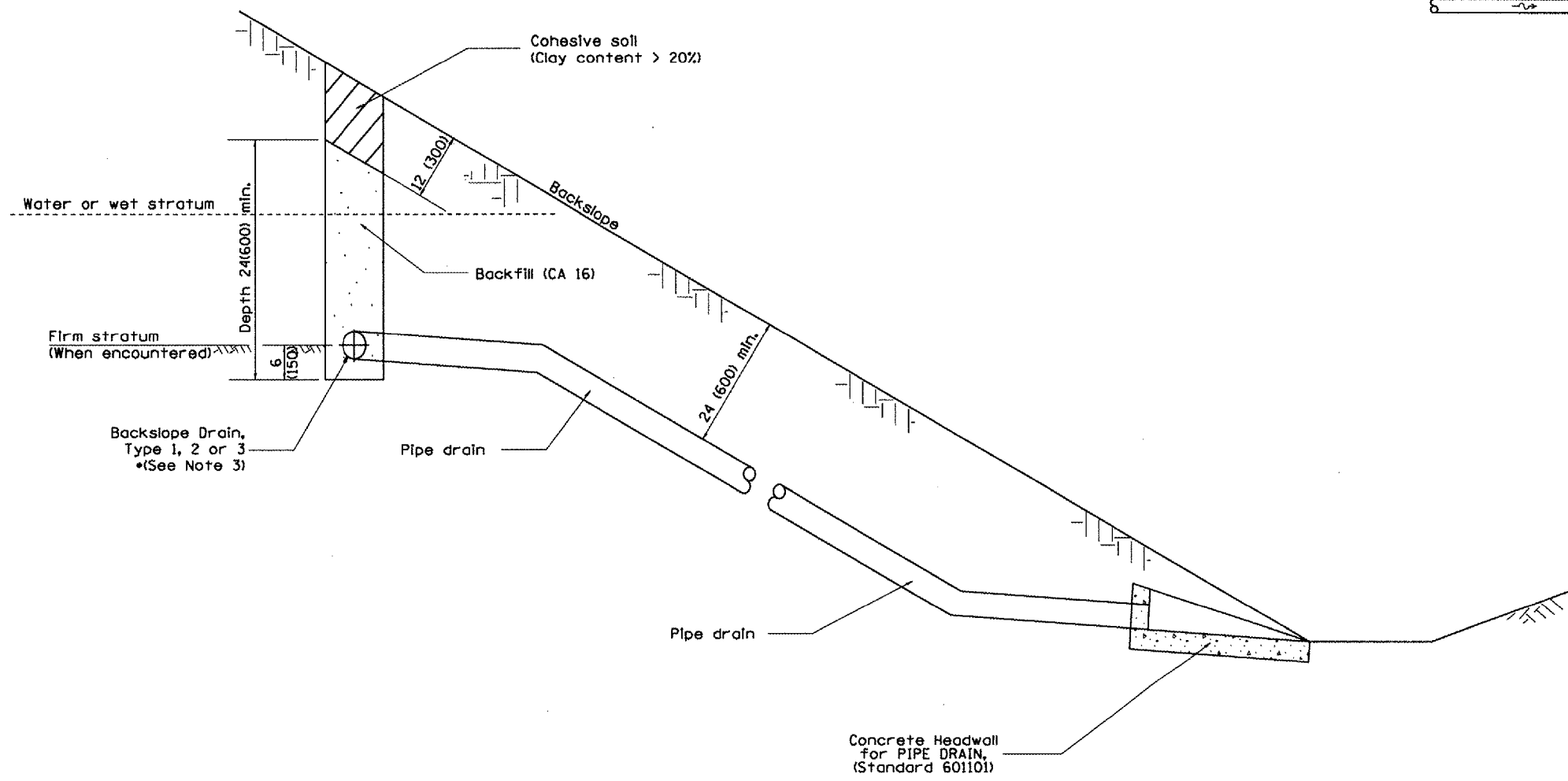
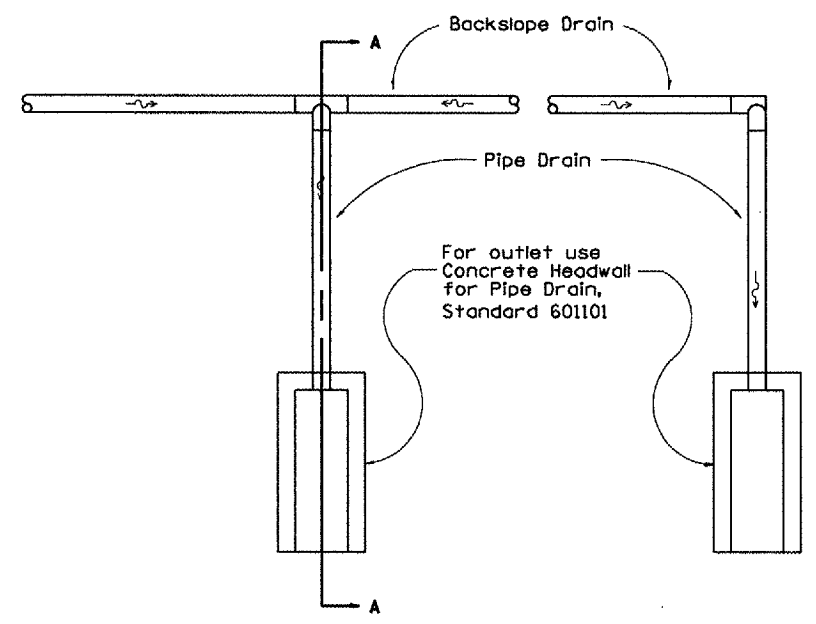


F.A.P. RTE.	SECTION	COUNTY	TOTAL SHEETS	SHEET NO.
310	141-A1BR	McDONOUGH	66	57
STA.		TO STA.		
FED. ROAD DIST. NO.		ILLINOIS FED. AID PROJECT		



SECTION A-A



PLAN

GENERAL NOTES:

1. The District Geotechnical Engineer will determine the Backslope Drain design, after the backslope has been constructed.
2. This work shall be done in accordance with the applicable portion of Articles 601 and 207 of the Standard Specifications.
3. • See plans for "Type".

All dimensions are in Inches (millimeters) unless otherwise noted.

ILLINOIS DEPARTMENT OF TRANSPORTATION
DISTRICT CADD STANDARD

BACKSLOPE DRAINS

DATE	REVISIONS	BY
1-1-97	RENUM. J-6.02, NEW REVISION BOX, REVISED TITLE BOX	T.P.
10-16-06	REVISED TO 2007 SPEC.	M.A.

CADD STD. NO. 601201-D4
SCALE: NOT DRAWN TO SCALE
DRAWN BY CADD
CHECKED BY

DATE

DCN-ONLY

601201-D4