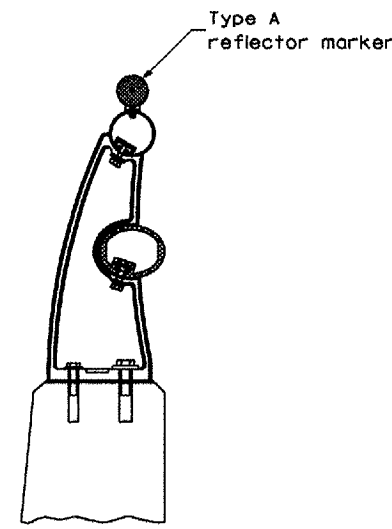
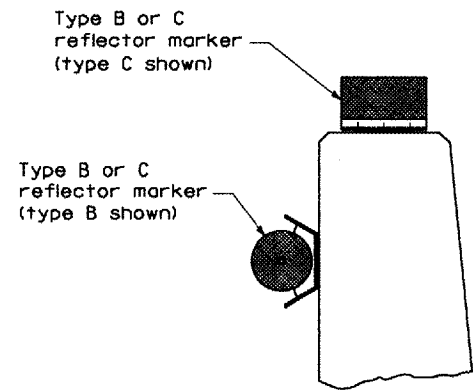


F.A.P. RTE.	SECTION	COUNTY	TOTAL SHEETS	SHEET NO.
310	(41-A)BR	MCDONOUGH	66	63
STAL. TO STA.				
FED. ROAD DIST. NO.			ILLINOIS FED. AID PROJECT	

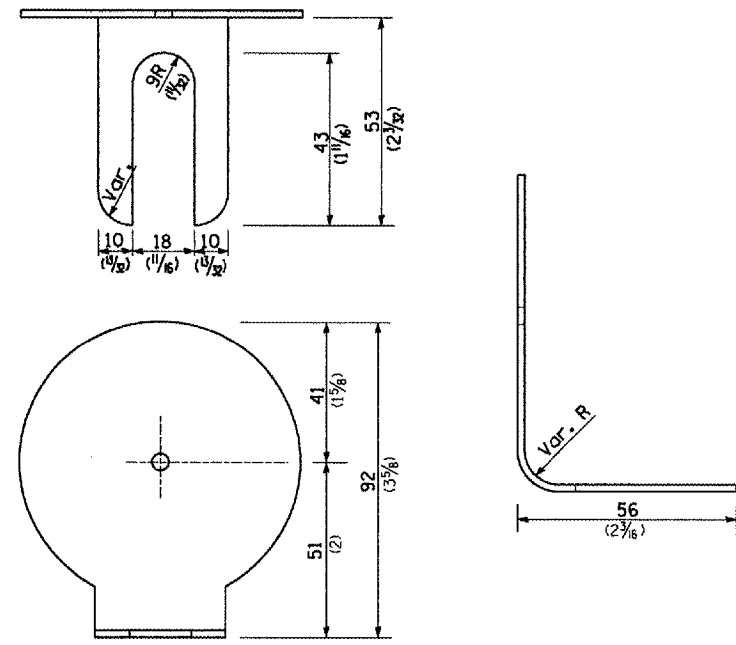


TYPICAL MOUNTING DETAIL FOR BRIDGE RAIL REFLECTOR

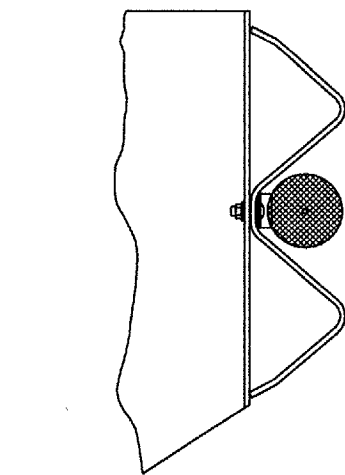


TYPICAL MOUNTING DETAIL FOR BARRIER WALL REFLECTOR

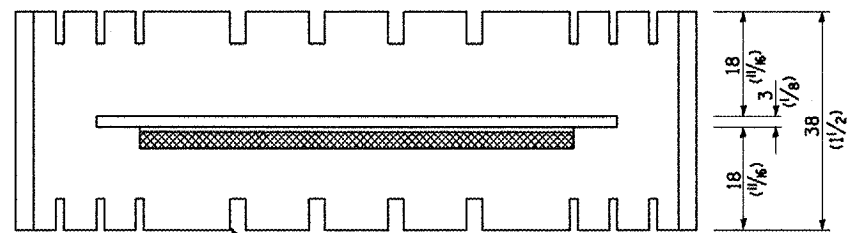
REFLECTOR MOUNTING



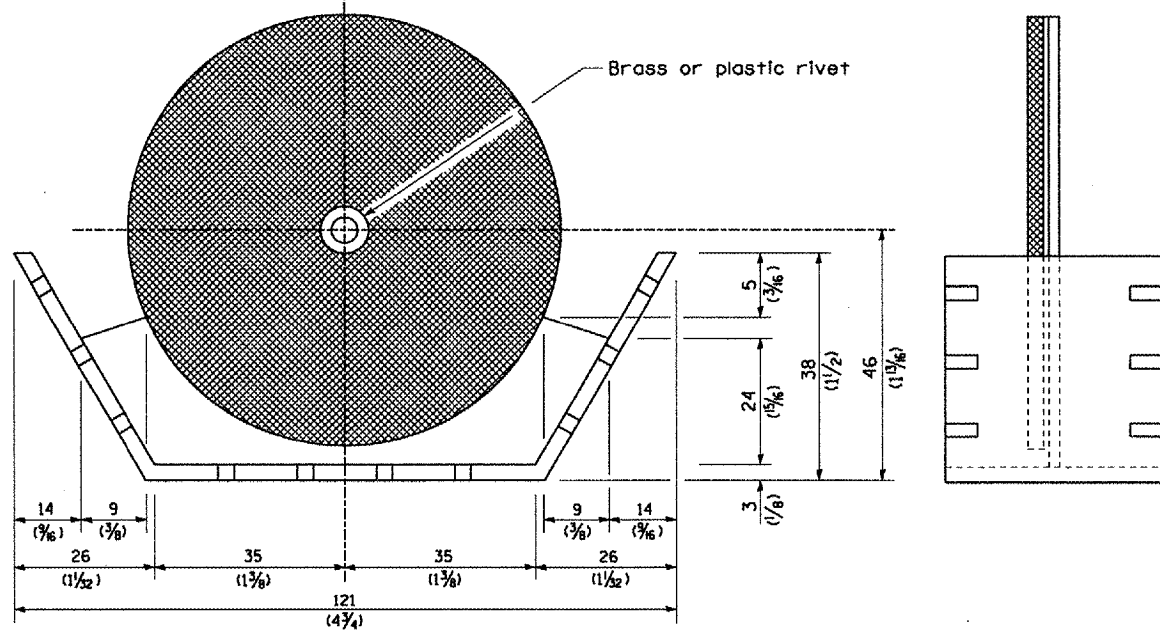
REFLECTOR MARKER TYPE A



TYPICAL GUARDRAIL MOUNTING WITH REFLECTOR MARKER TYPE A

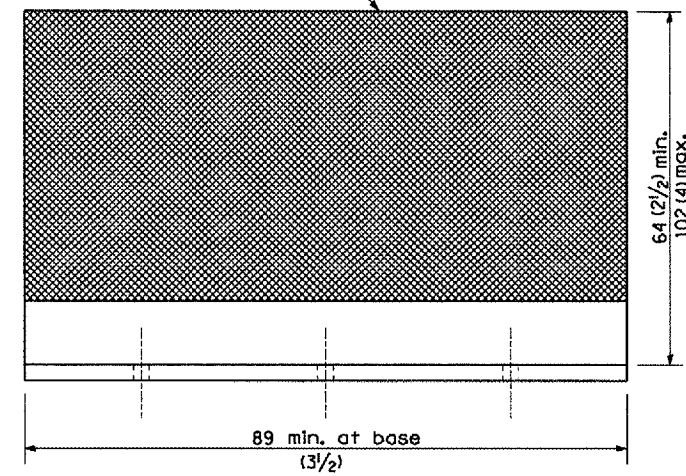


Adhesive weep slots or holes equally spaced on both sides

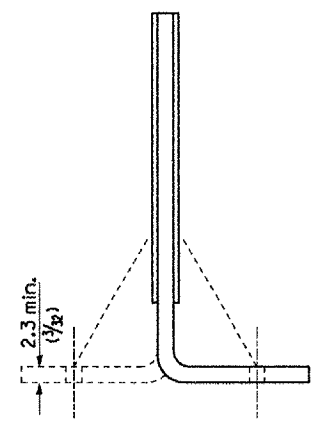


REFLECTOR MARKER TYPE B

Min. reflective area 4,194 mm² (6 1/2 Sq. In.) each side. May be rectangular or slight trapezoid.

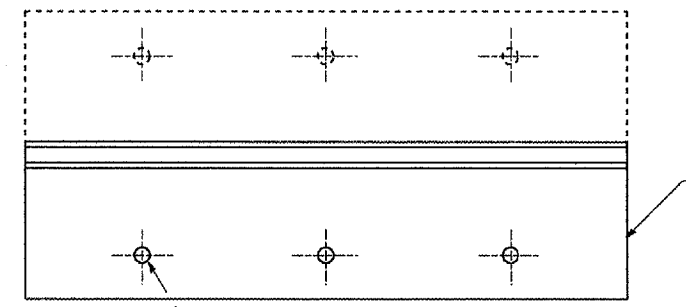


REFLECTOR MARKER TYPE C



Cross section may be "T" or "L" shaped and may have side supports at ends.

REFLECTORS



Minimum total area of base 4,516 mm² (7.0 Sq. in.)

3 min. adhesive weep holes or slots each side, variable spacing.

All dimensions are in millimeters (inches) unless otherwise noted.

ILLINOIS DEPARTMENT OF TRANSPORTATION	
DISTRICT CADD STANDARD	
GUARDRAIL AND BARRIER WALL DELINEATION	
CADD STD. NO. 635101-D4	SHEET 3 OF 3
SCALE: NOT DRAWN TO SCALE	DRAWN BY CADD
	CHECKED BY