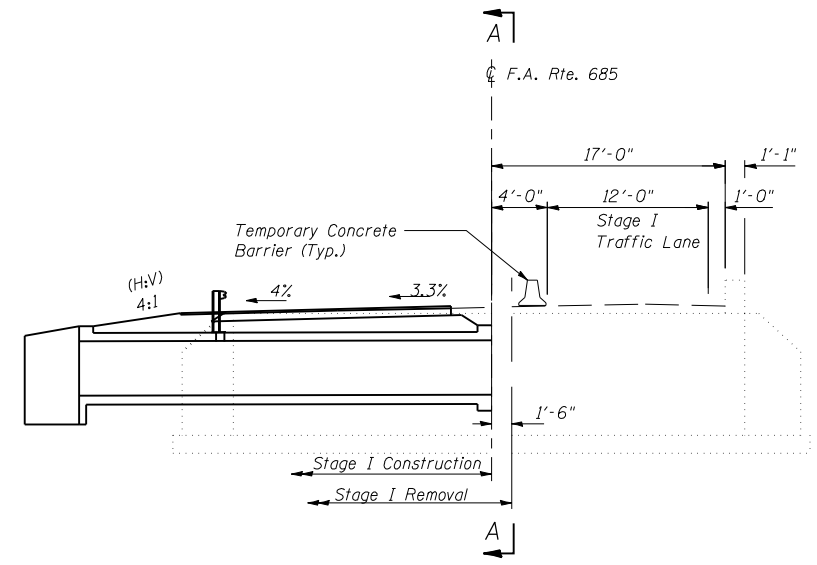
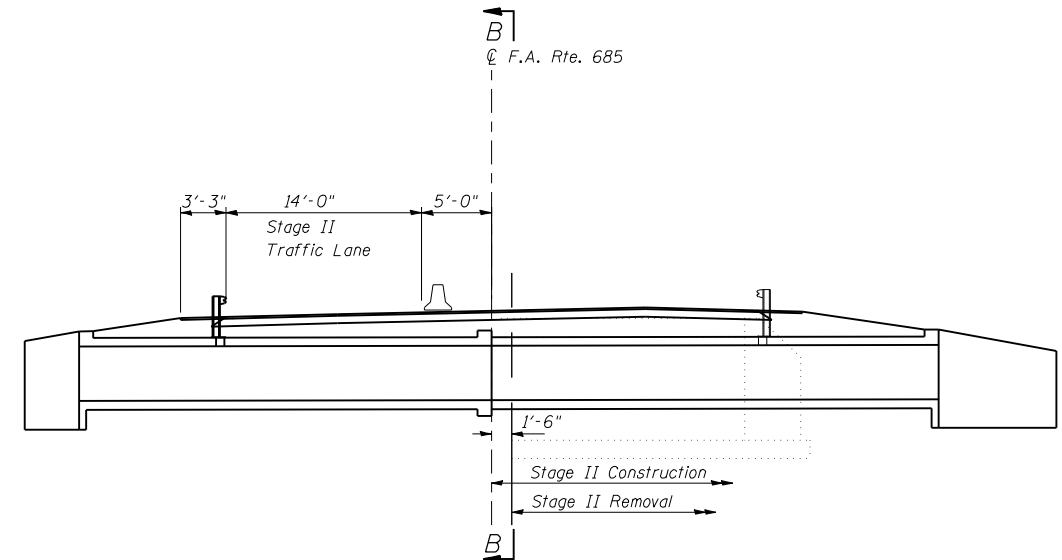


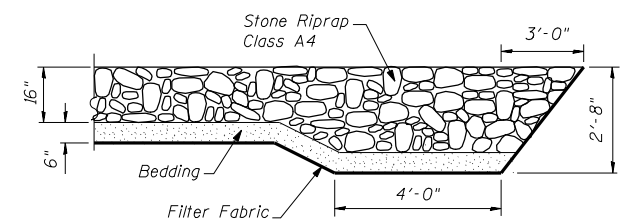
F.A.P. RTE.	SECTION	COUNTY	TOTAL SHEETS	SHEET NO.
685	113B-2	HANCOCK	45	28
STA.		TO STA.		
FED. ROAD DIST. NO.	ILLINOIS	FED. AID PROJECT		



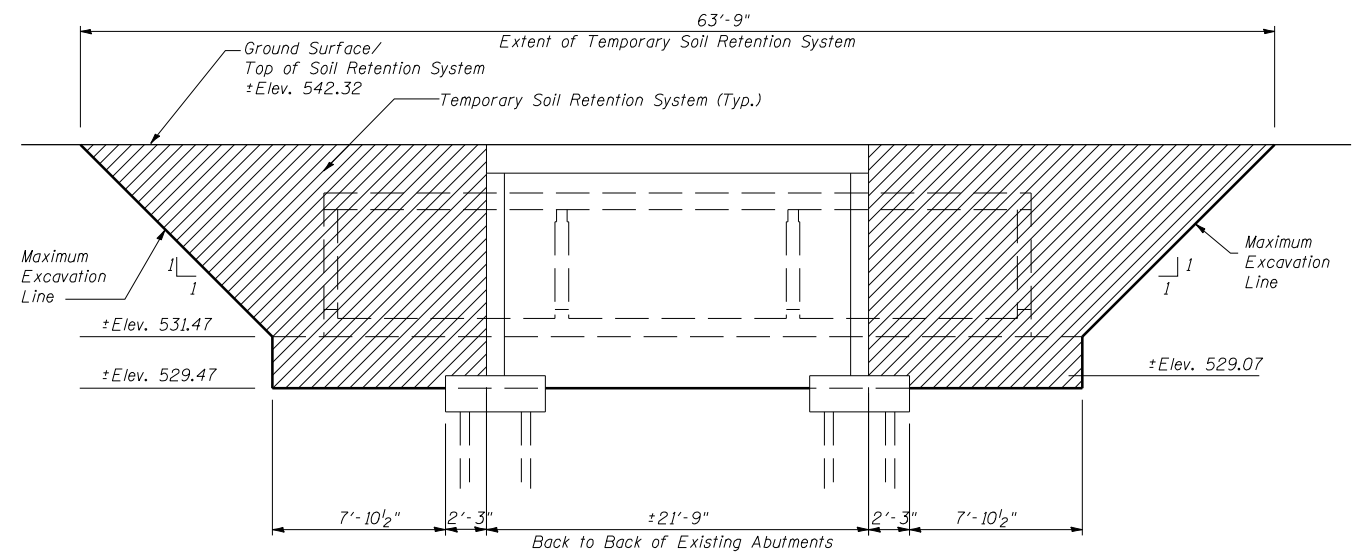
STAGE 1 CONSTRUCTION
(Horiz. Dim. @ Rt. L's to C/F A Rte 685)



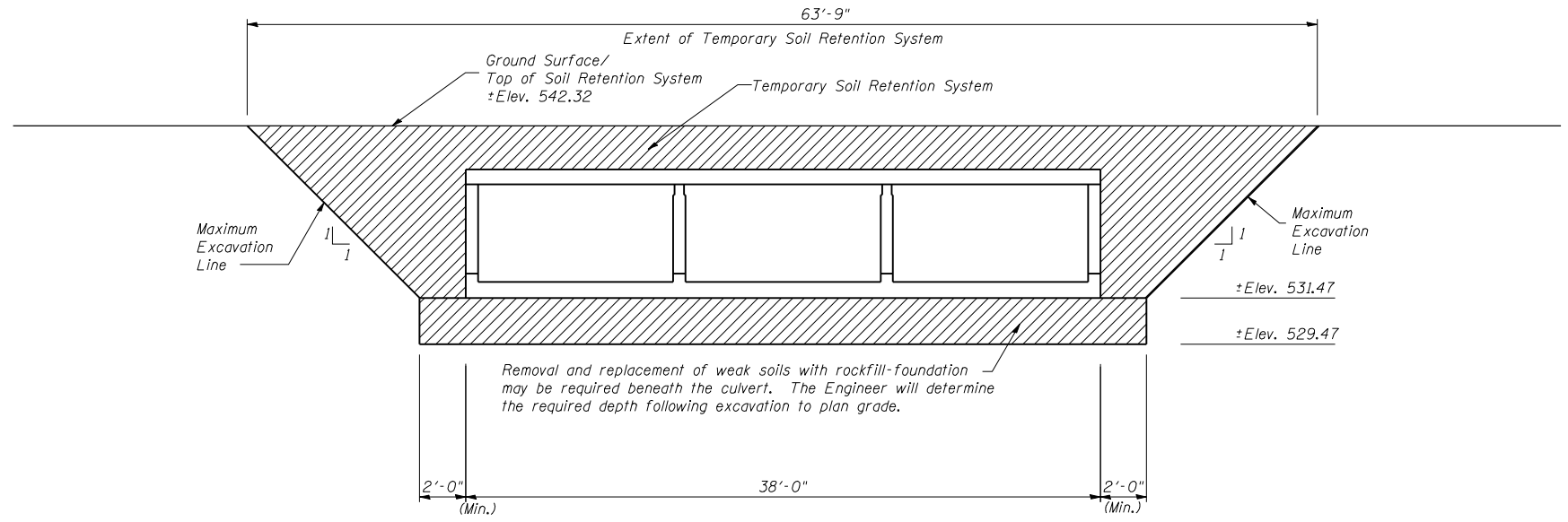
STAGE 2 CONSTRUCTION
(Horiz. Dim. @ Rt. L's to C/F A Rte 685)



DETAIL A



SECTION A-A
(Horiz. Dim. @ Rt. L's to C/ Culvert)



SECTION B-B
(Horiz. Dim. @ Rt. L's to C/ Culvert)

Item	Unit	Qty
Temporary Soil Retention System	Sq. Ft.	565

REVISIONS	
NAME	DATE

ILLINOIS DEPARTMENT OF TRANSPORTATION
CONSTRUCTION STAGING
IL 9/96 OVER OPPOSUM CREEK
FAP 685 SECTION 113B-2
HANCOCK COUNTY
STA. 248+59.00 STR. No. 034-2519
 SCALE: N.T.S. DRAWN BY SAE
 DATE: \$DATE CHECKED BY BJJ

The Upchurch Group
 HILLSIDE, IL. (708) 449-2321
 MATTOON, IL. (217) 285-3177