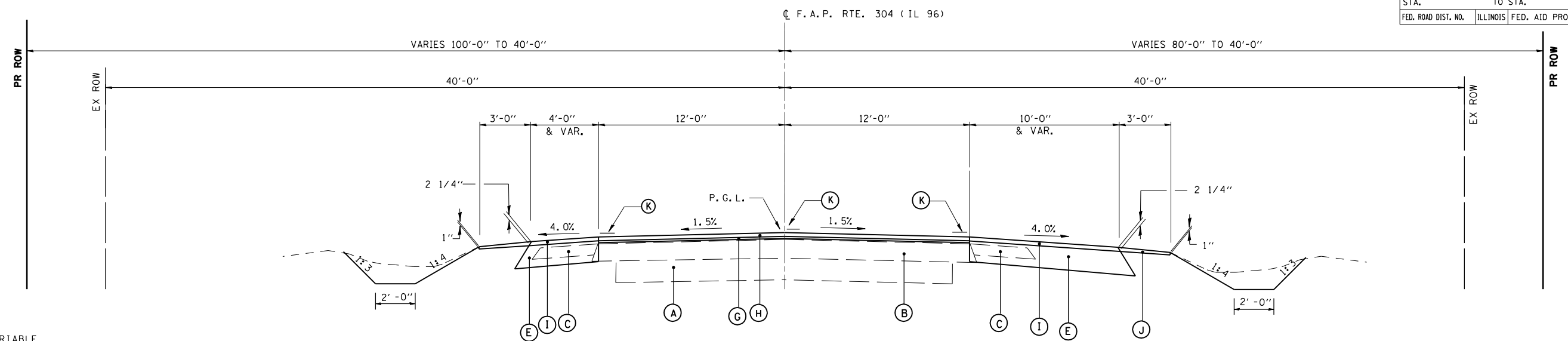


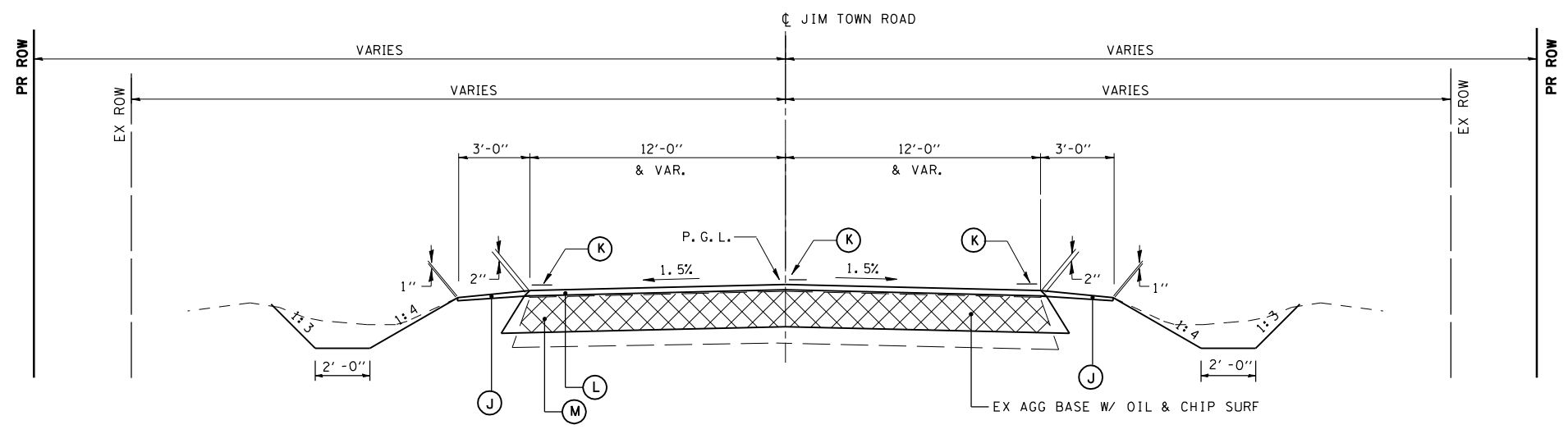
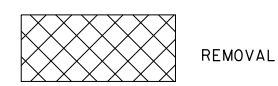
F.A.P. RTE.	SECTION	COUNTY	TOTAL SHEETS	SHEET NO.
304	3B-1	PIKE	51	10
STA. 304		TO STA.		
FED. ROAD DIST. NO.	ILLINOIS	FED. AID PROJECT		



TYPICAL SECTION # 3
STA. 785+15 TO STA. 789+95.00

LEGEND

- (A) EX AGG BSE, VARIABLE THICKNESS (7" TO 12")
- (B) EX HMA SURF 9" ±
- (C) EX AGG SHLDR
- (D) EX CONC GUTTER
- (E) PR HMA BASE CSE/WIDENING, (SEE MIX TABLE REQUIREMENTS), 10"
- (F) PR HMA BASE CSE, (SEE MIX TABLE REQUIREMENTS), 10"
- (G) PR LEVELING BINDER, (SEE MIX TABLE REQUIREMENTS), 3/4" AVG.
- (H) PR HMA SURF CSE, (SEE MIX TABLE REQUIREMENTS), 1 1/2"
- (I) PR HMA SHLDR, (SEE MIX TABLE REQUIREMENTS) 2 1/4"
- (J) PR AGG SHLDR TY. B
- (K) PR PVMT MARKING LINE - 5"
- (L) PR HMA SURF, 2" (INCIDENTAL HMA)
- (M) PR HMA BASE CSE, 8"



TYPICAL SECTION # 4
STA. 10+12 TO STA. 11+50

REVISIONS	
NAME	DATE

ILLINOIS DEPARTMENT OF TRANSPORTATION

TYPICAL SECTIONS
IL 96 OVER JIMTOWN BRANCH
FAP 304 SECTION 3B-1
PIKE COUNTY

SCALE: N.T.S. DRAWN BY: AGG
DATE: \$DATE CHECKED BY: MJS

PLOT DATE = Aug-31-2007 11:48:12AM
 FILE NAME = c:\projects\653704\upchurch\final\upsec.dwg
 PLOT SCALE = 1/8"=1'-0" / IN.
 USER NAME = laughlin-1

The Upchurch Group
 HILLSIDE, IL. (708) 449-2321
 MATTOON, IL. (217) 235-3177