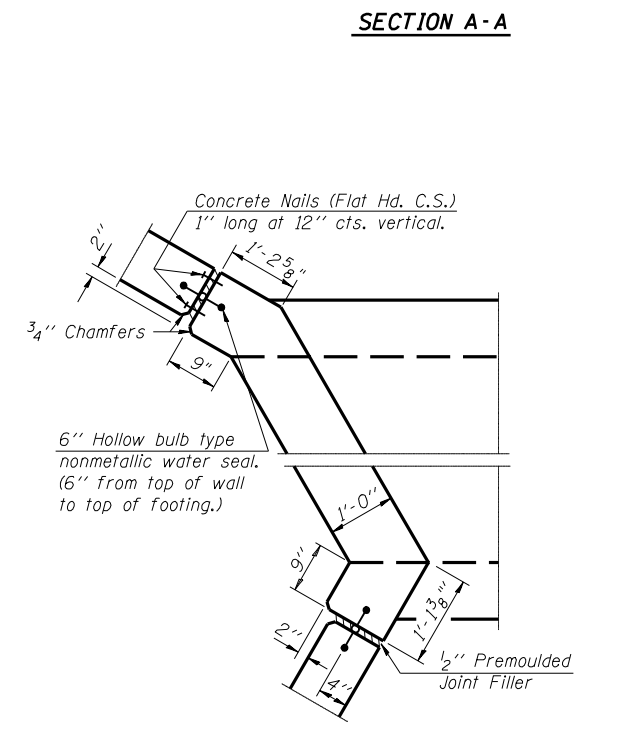
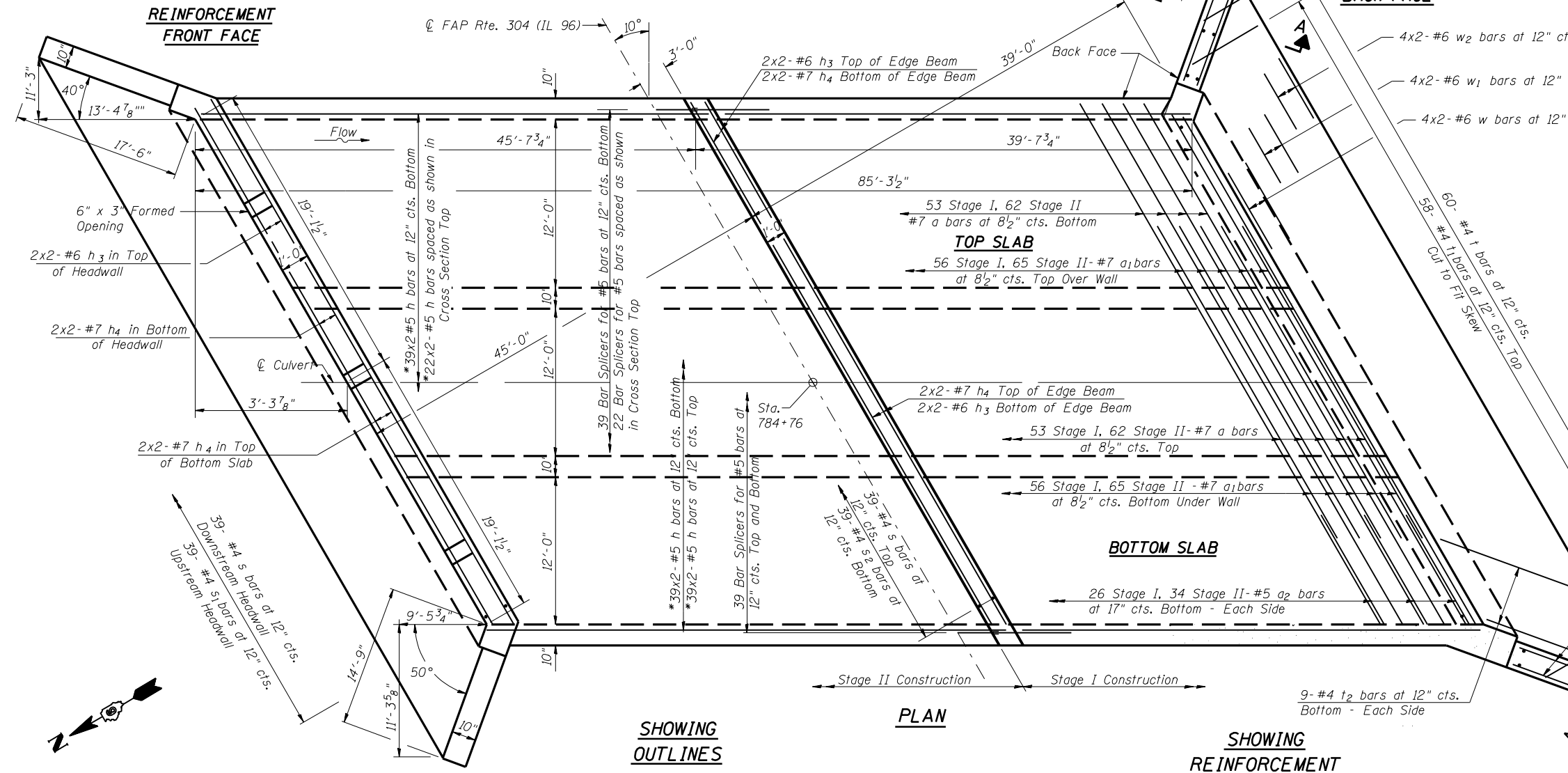
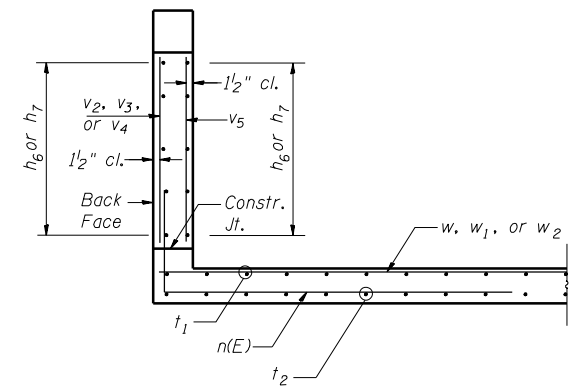
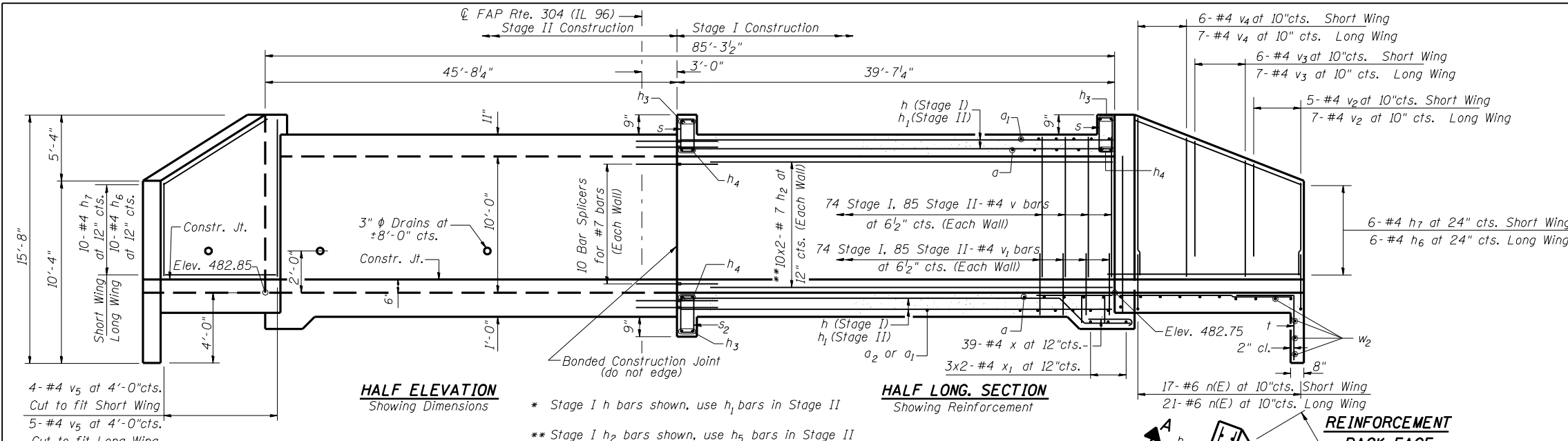


F.A.P. RTE.	SECTION	COUNTY	TOTAL SHEETS	SHEET NO.
304	3B-1	PIKE	51	32
STA.		TO STA.		
FED. ROAD DIST. NO.		ILLINOIS FED. AID PROJECT		



BAR	MIN. LAP SPLICE LENGTH (mm)
#4	1'-8"
#5	2'-2"
#6	2'-7"
#7	3'-5"

NOTES:
 1. Bars indicated thus 10x2 #7 etc. indicates 10 per lines of bars with 2 lengths per line.

REVISIONS	
NAME	DATE

ILLINOIS DEPARTMENT OF TRANSPORTATION
CULVERT PLAN & ELEVATION
 IL 96 OVER JIMTOWN BRANCH
 FAP 304 SECTION 3B-1
 STA. 784+76
 PIKE COUNTY STR. 075-2506
 SCALE: N.T.S. DRAWN BY RMH
 DATE: \$DATE CHECKED BY MJS

The Upchurch Group
 HILLSIDE, IL. (708) 449-2321
 MATTOON, IL. (217) 285-3177

PLOT DATE = Aug-31-2007 11:49:04AM
 FILE NAME = c:\projects\0853708\upchurch\final\culvert\plan.dwg
 PLOT SCALE = 2:11765 / 1 IN.
 USER NAME = laughlin-1