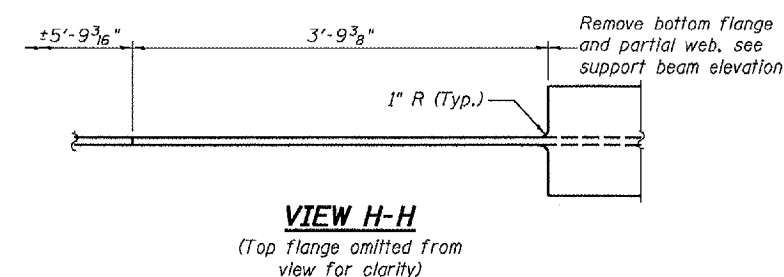
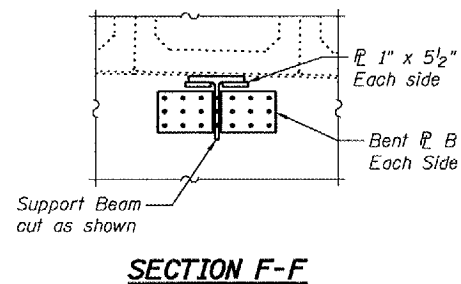
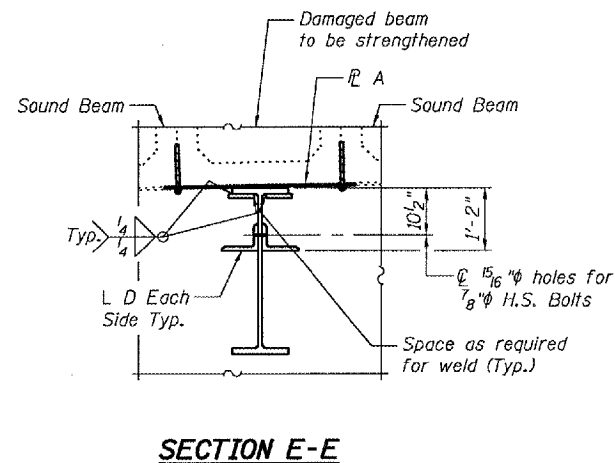
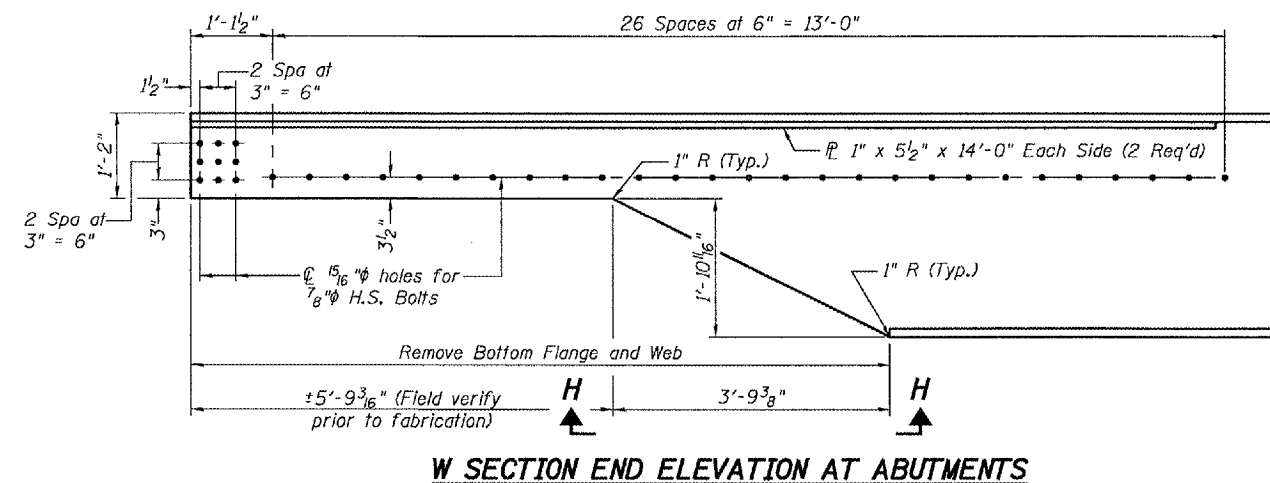
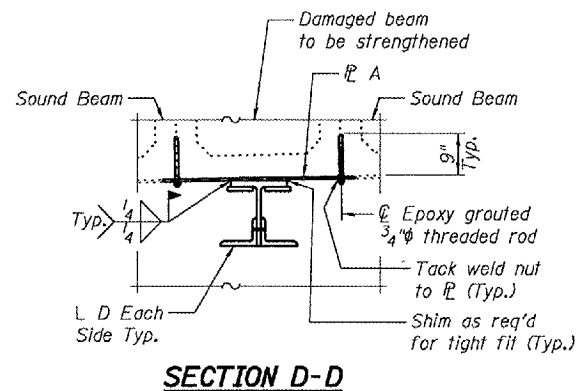
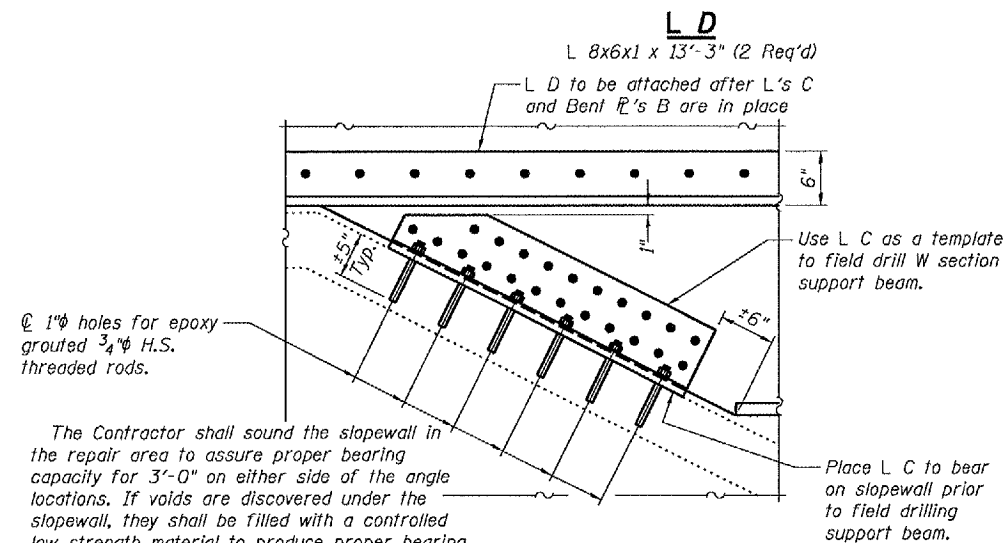
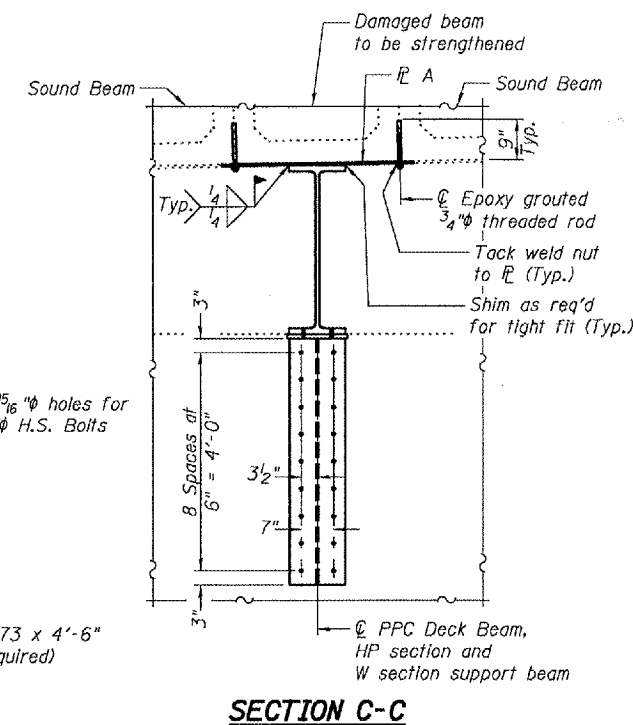
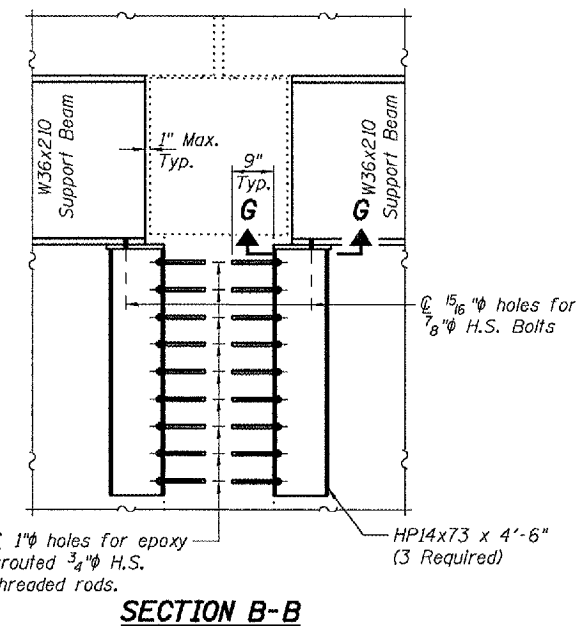
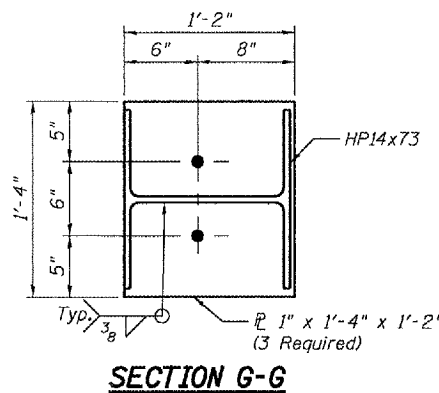
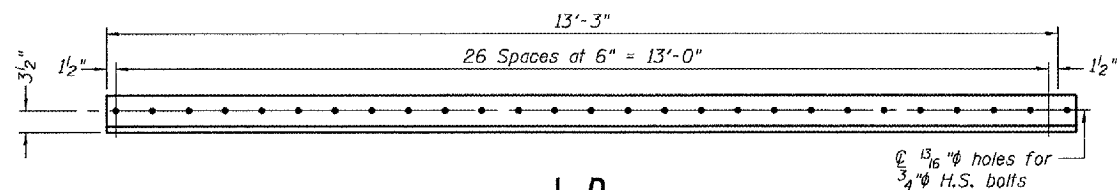
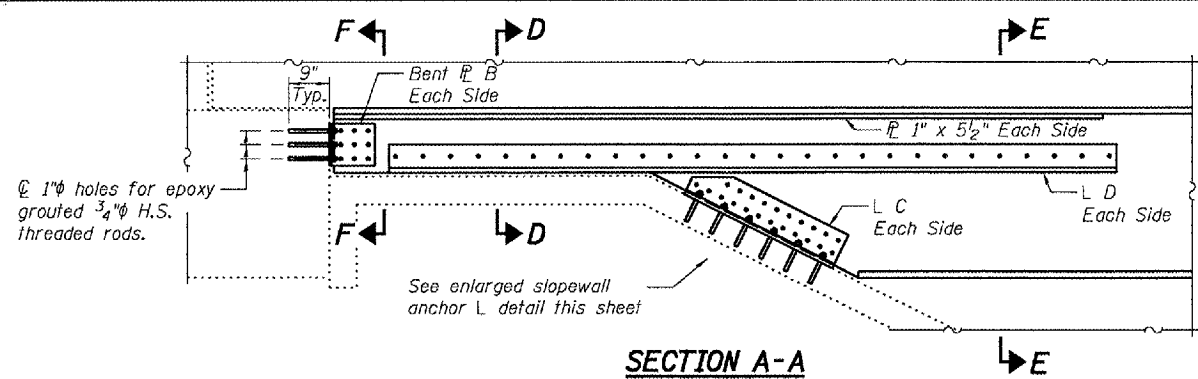


STATE OF ILLINOIS
DEPARTMENT OF TRANSPORTATION

ROUTE NO.	SECTION	COUNTY	JOB SHEETS	SHEET NO.	SHEET NO. 2 2 SHEETS
		Sangamon	24	24B	
FED. ROAD DIST. NO. 7		ILLINOIS		FED. AID PROJECT-	
Contract Number: 72A81					



DESIGNED	D.A.B.
CHECKED	A.T.H.
DRAWN	Drew Christopher
CHECKED	D.A.B. A.T.H.

September 14, 2007
 EXAMINED *Carl Hoyer*
 REPAIR PLANS UNIT CHIEF
 PASSED *Ralph E. Anderson*
 ENGINEER OF BRIDGES AND STRUCTURES

SUPPORT DETAILS
 F.A.P. RT. 753 RT. 104
 SANGAMON COUNTY
 SN 084-0176