

F.A.P. RTE.	SECTION	COUNTY	TOTAL SHEETS	SHEET NO.
735		MACOUPIN	4	1

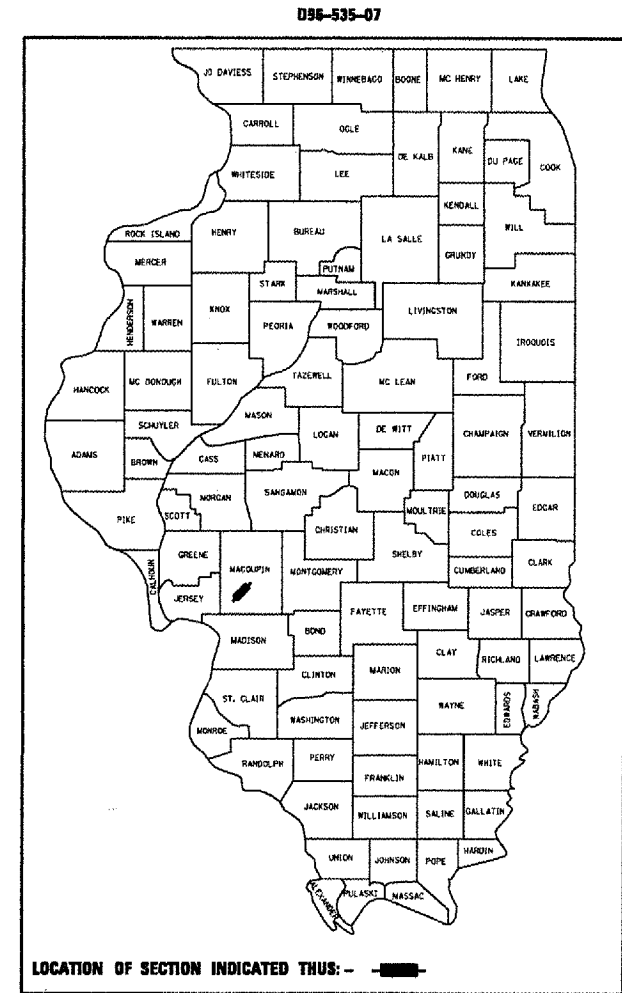
• 6RS-4; 7RS-7

STATE OF ILLINOIS
DEPARTMENT OF TRANSPORTATION
DIVISION OF HIGHWAYS

PROPOSED
HIGHWAY PLANS

FAS ROUTE 735 (SHIPMAN BLACKTOP)
SECTION 6RS-4; 7RS-7

MACOUPIN COUNTY
C-96-555-07



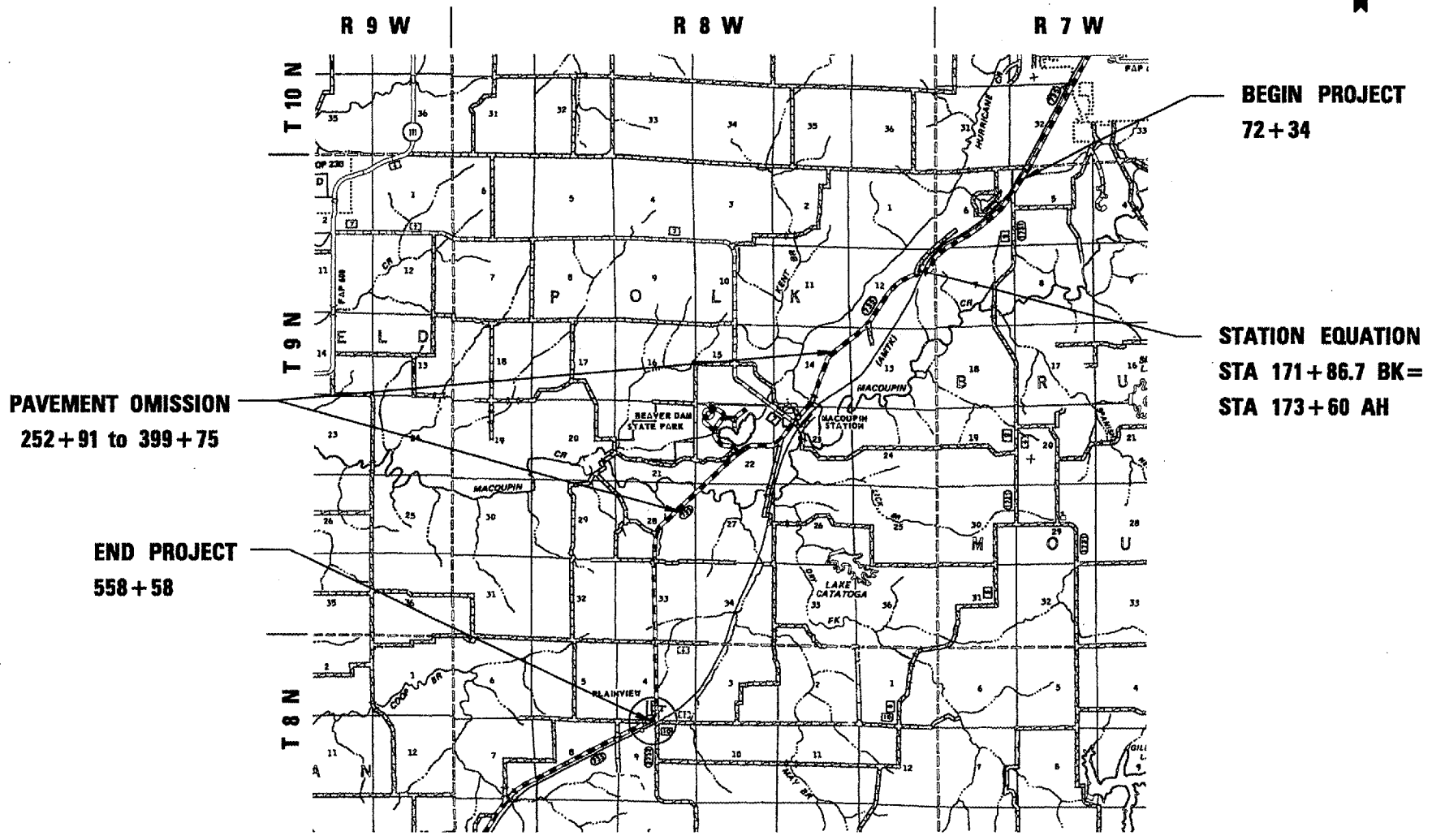
INDEX OF SHEETS

- 1 COVER SHEET
- 2 SUMMARY OF QUANTITIES
- 3 SCHEDULE OF QUANTITIES
- 4 TYPICAL SECTIONS

LIST OF STANDARDS

- 000001-04
- 442201-02
- 701001-01
- 701006-02
- 701011-01
- 701301-02
- 701306-01
- 701311-02
- 702001-06
- 780001-01
- 781001-02

PROJECT ENGINEER: JOHN NEGANGARD (782-6990)
 SQUAD LEADER: VINCE MADONIA (785-9046)



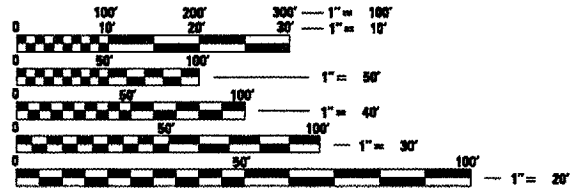
BEGIN PROJECT
72+34

STATION EQUATION
 STA 171+86.7 BK=
 STA 173+60 AH

PAVEMENT OMISSION
252+91 to 399+75

END PROJECT
558+58

ADT 1,300 (2005)
%MU + %SU = 12%



FULL SIZE PLANS HAVE BEEN PREPARED USING STANDARD ENGINEERING SCALES. REDUCED SIZED PLANS WILL NOT CONFORM TO STANDARD SCALES. IN MAKING MEASUREMENTS ON REDUCED PLANS, THE ABOVE SCALES MAY BE USED.

J.U.L.I.E.
 JOINT UTILITY LOCATION INFORMATION FOR EXCAVATION
 1-800-892-0123

STATE OF ILLINOIS
 DEPARTMENT OF TRANSPORTATION
 DIVISION OF HIGHWAYS

SUBMITTED Aug 13 2007
[Signature]
 DEPUTY DIRECTOR OF HIGHWAYS, REGION ENGINEER

October 12, 2007
[Signature]
 ENGINEER OF DESIGN AND ENVIRONMENT

October 12, 2007
[Signature]
 DIRECTOR OF HIGHWAYS, CHIEF ENGINEER

PRINTED BY THE AUTHORITY
OF THE STATE OF ILLINOIS

F.A.P. RTE.	SECTION	COUNTY	TOTAL SHEETS	SHEET NO.
735		MACOUPIN	4	2
STA.		TO STA.		
FED. ROAD DIST. NO.	ILLINOIS	FED. AID PROJECT		
* 6RS-4; TRS-7				

SHIPMAN BLACKTOP
100% STATE
CONST. CODE F000

Code No.		Unit	Total	
40300200	BITUMINOUS MATERIALS (PRIME COAT)	TON	29	29
40600300	AGGREGATE (PRIME COAT)	TON	150	150
67100100	MOBILIZATION	L SUM	1	1
70100460	TRAFFIC CONTROL AND PROTECTION, STANDARD 701306	L SUM	1	1
* 78001120	PAINT PAVEMENT MARKING - LINE 5"	FOOT	105,099	105,099
* 78100100	RAISED REFLECTIVE PAVEMENT MARKER	EACH	422	422
78300200	RAISED REFLECTIVE PAVEMENT MARKER REMOVAL	EACH	422	422
X0324951	CAPE SEAL	SQ YD	75,037	75,037

* SPECIALTY ITEMS

DISTRICT SIX	
EXAMINED	8/6/07 20 07
	<i>Louis J. Harris</i>
	OPERATIONS ENGINEER
EXAMINED	July 25 20 07
	<i>W.R. [Signature]</i>
	PROGRAM IMPLEMENTATION ENGINEER
EXAMINED	July 19, 20 07
	<i>W.R. [Signature]</i>
	PROGRAM DEVELOPMENT ENGINEER

REVISIONS		ILLINOIS DEPARTMENT OF TRANSPORTATION SUMMARY OF QUANTITIES
NAME	DATE	
		FAP 735 SECTION 6RS-4; TRS-7 MACOUPIN COUNTY SCALE: VERT. DRAWN BY HORIZ. CHECKED BY DATE

F.A.P. RTE.	SECTION	COUNTY	TOTAL SHEETS	SHEET NO.
735	*	MACOUPIN	4	3
STA.		TO STA.		
FED. ROAD DIST. NO.	ILLINOIS	FED. AID PROJECT		
* 6RS-4; 7RS-7				

Application Rates

Bituminous Materials(Prime Coat) 0.00038 Tons / Sq Yd (0.10 Gal/ Sq Yd)
 Aggregate Materials (Prime Coat) 0.002 Tons / Sq Yd

<u>Station Range</u>			<u>Width</u>	<u>Length</u>	<u>Area</u>	<u>CAPE Seal</u>	<u>Aggregate</u>	<u>Bituminous</u>	<u>Raised</u>	<u>Raised</u>
			(FT)	(FT)	(SY)	(SY)	(Prime)	(Prime)	Reflective Markers	Reflective Markers
							(TONS)	(TONS)	Removal	Installation
									(EACH)	(EACH)
72+34.	TO	171+86.7	20	9,953	22,117	22,117	44.2	8.4	124	124
173+60.	TO	252+91.	20	7,931	17,624	17,624	35.2	6.7	99	99
399+75.	TO	558+58.	20	15,883	35,296	35,296	70.6	13.4	199	199
<i>Totals</i>				<i>33,767</i>	<i>75,037</i>	<i>75,037</i>	<i>150</i>	<i>28.5</i>	<i>422</i>	<i>422</i>
				<i>6.395 mi</i>						

Paint Pavement Marking Line, 5"

Location	Length	Edge Line	Center Dash	Center Solid
	(FT)	(FT)	(FT)	(FT)
Passing Zone	13,507	27,013	3,377	0
No Passing - One Way	8,442	16,883	2,110	8,442
No Passing Zones	11,818	23,637	0	23,637
sub-Totals		67,533	5,487	32,078

Total 105,099

Notes:

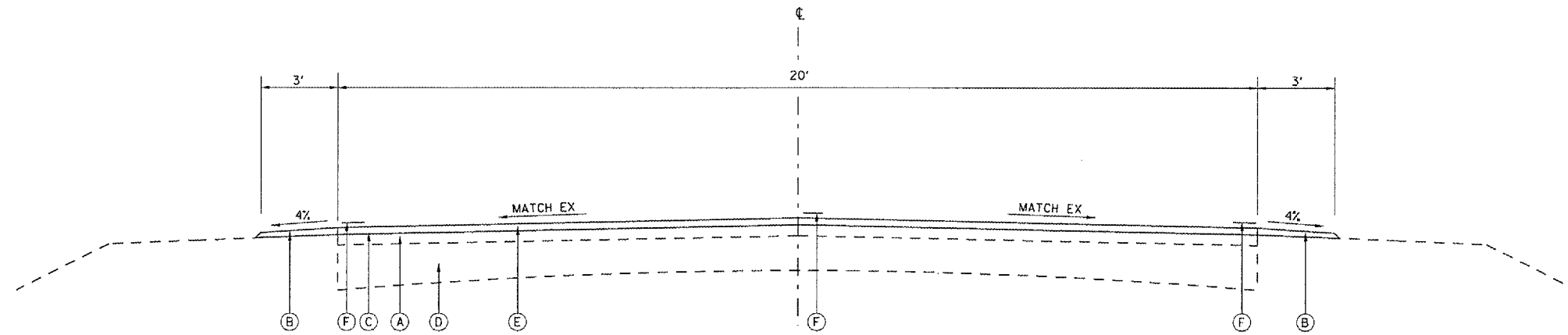
The Fine Aggregate used with the A-1 treatment for the CAPE seal shall be CA-16.
 For Plan Circulation, assume 35% of length will be No-Passing zones, 25% No-Passing one way.

PLOT DATE = Aug 13, 2007 01:45:09
 FILE NAME = c:\p1\proj\735\73503\73503.dwg
 PLOT SCALE = 100.0000 / 1.00
 USER NAME = laughlin

REVISIONS	
NAME	DATE

ILLINOIS DEPARTMENT OF TRANSPORTATION
SCHEDULE OF QUANTITIES
 FAP 735
 SECTION 6RS-4; 7RS-7
 MACOUPIN COUNTY
 SCALE: VERT. DRAWN BY
 HORIZ. CHECKED BY
 DATE

F.A.P. RTE.	SECTION	COUNTY	TOTAL SHEETS	SHEET NO.
735		MACOUPIN	4	4
STA.		TO STA.		
FED. ROAD DIST. NO.	ILLINOIS	FED. AID PROJECT		



- LEGEND
- (A) EX. BITUMINOUS CONCRETE SURFACE, MIX., TYPE 2, 1 1/2"
 - (B) EX. AGG. SHLDS.
 - (C) EX. SEAL COAT
 - (D) EX. AGG. BASE
 - (E) PROPOSED CAPE SEAL
 - (F) PROPOSED 5" PAINT PAVEMENT MARKING

TYPICAL SECTION
 72+34 TO 171+86.7
 173+60 TO 252+91
 399+75 TO 558+58

STATION EQUATION
 STA 171+86.7 BK=
 STA 173+60 AH

PLT DATE : Aug 13 2007 01:01:29
 FILE NAME : m:\p\735\173+60\173+60.dgn
 PLT SCALE : 211767 / IN.
 USER NAME : laughton

REVISIONS	
NAME	DATE

ILLINOIS DEPARTMENT OF TRANSPORTATION

TYPICAL SECTIONS

FAP 735
 SECTION GRS-4; TRS-7
 MACOUPIN COUNTY

SCALE: VERT.
 HORIZ.
 DATE

DRAWN BY
 CHECKED BY