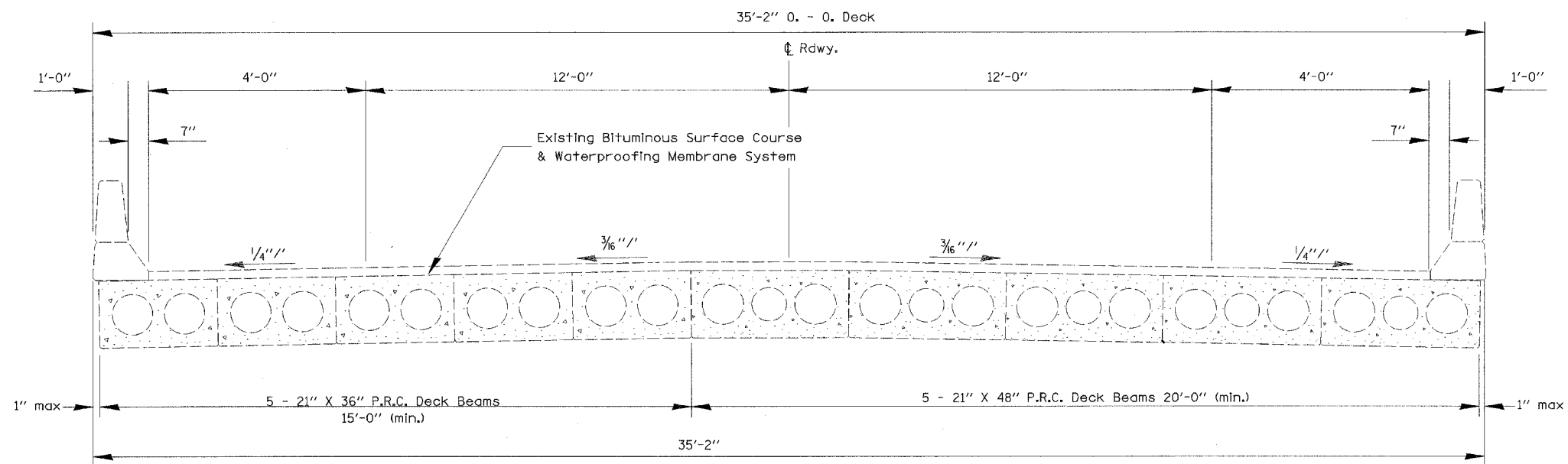


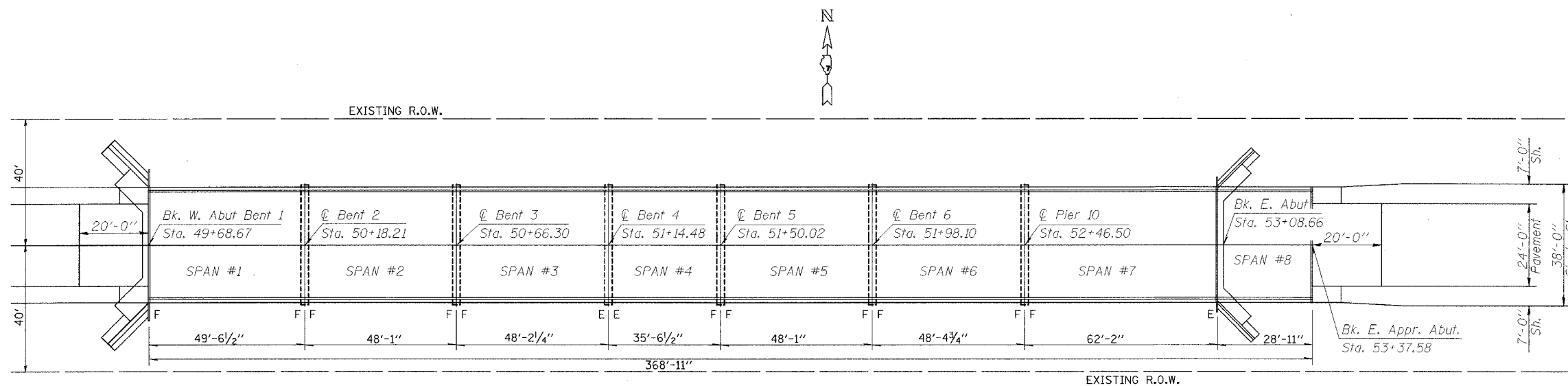
F.A.P. RTE.	SECTION	COUNTY	TOTAL SHEETS	SHEET NO.
752	*	FAYETTE	5	3
STA.		TO STA.		
FED. ROAD DIST. NO.	ILLINOIS	FED. AID PROJECT		

• 07 BEAM REPAIR 2008-1



**TYPICAL SECTION**

SPANS 1-6  
(LOOKING EAST)



**PLAN**

REVISIONS	
NAME	DATE

ILLINOIS DEPARTMENT OF TRANSPORTATION

**TYPICAL SECTION  
AND  
PLAN VIEW**

SCALE: VERT.  
HORIZ.  
DATE

DRAWN BY  
CHECKED BY