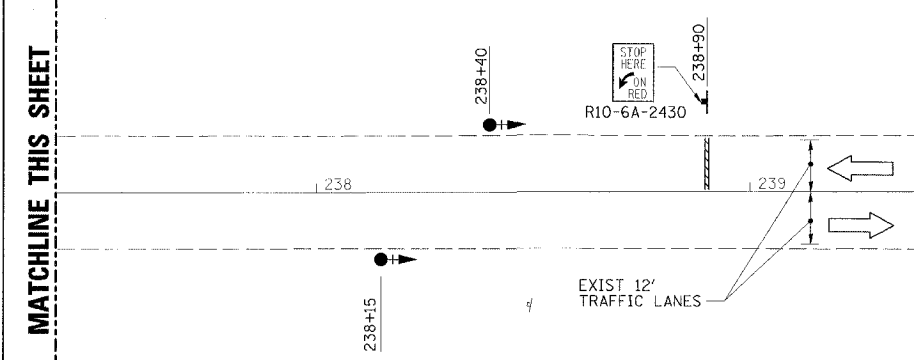
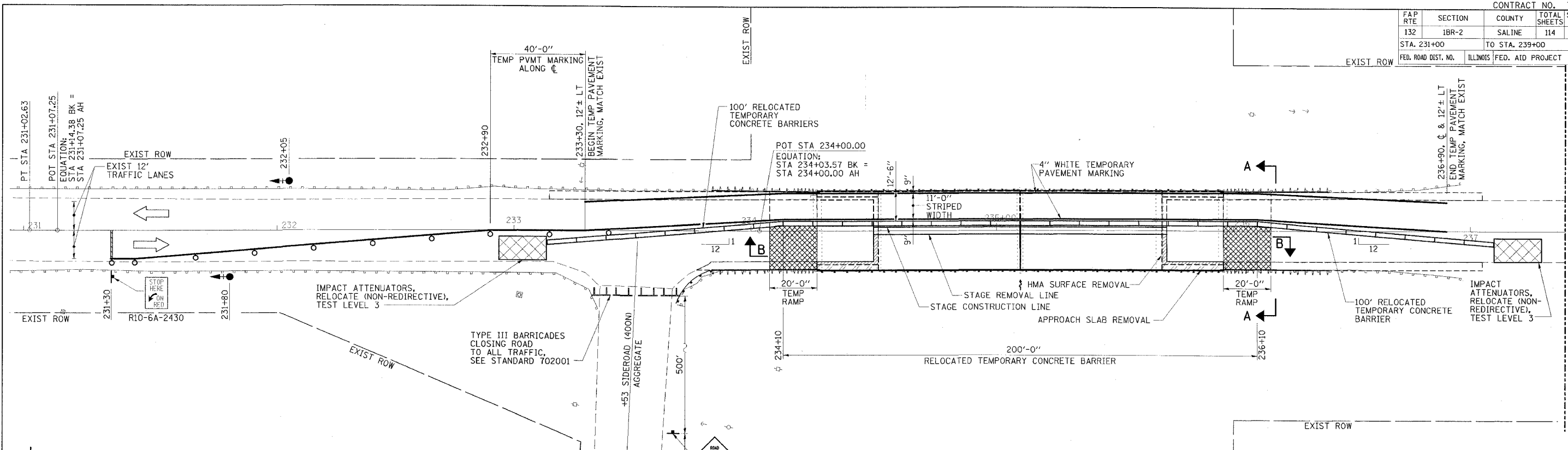




CONTRACT NO. 78010

FAP RTE	SECTION	COUNTY	TOTAL SHEETS	SHEET NO.
132	1BR-2	SALINE	114	15
STA. 231+00		TO STA. 239+00		
FED. ROAD DIST. NO.	ILLINOIS	FED. AID PROJECT		



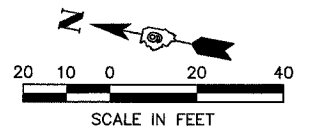
SCHEDULE OF QUANTITIES

RELOCATE TEMPORARY CONCRETE BARRIER	STATION TO	STATION	FEET
	233+14	237+10	400.0
		TOTAL	400.0

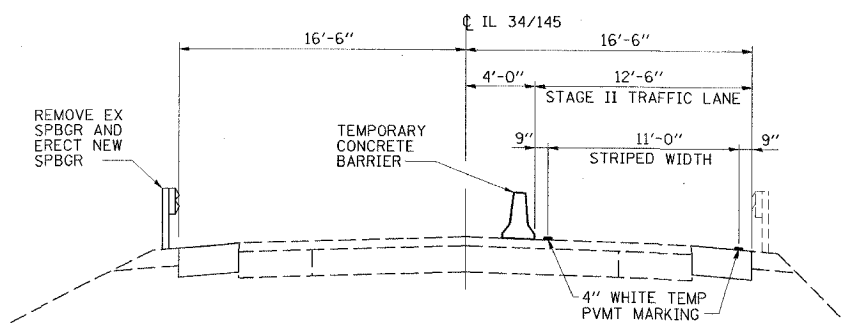
IMPACT ATTENUATORS, RELOCATE (NON-REDIRECTIVE), TEST LEVEL 3 - 2 EACH

GENERAL NOTES

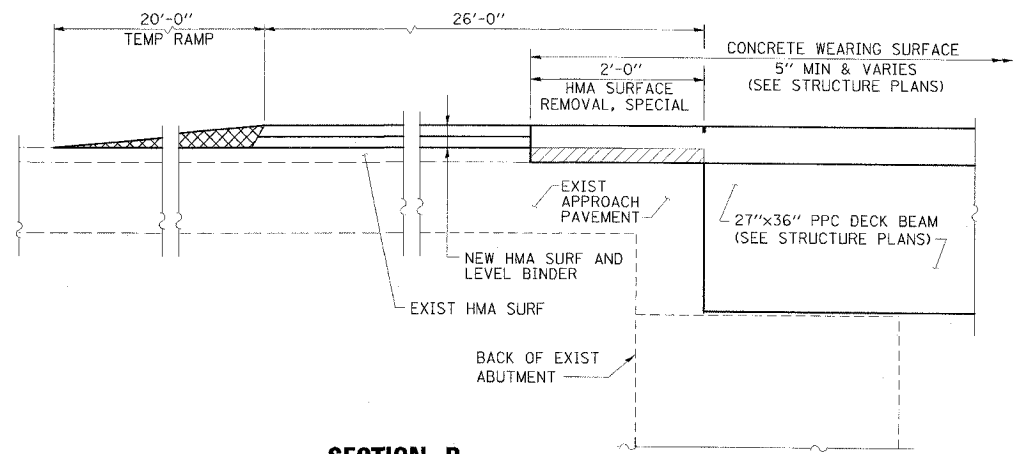
1. TRAFFIC CONTROL SHALL BE ERECTED AS SHOWN AND ACCORDING TO "TRAFFIC CONTROL AND PROTECTION, STANDARD 701321."
2. SEE SPECIAL PROVISIONS FOR ADDITIONAL TRAFFIC CONTROL REQUIREMENTS.
3. COORDINATE LOCATION OF SIGNALS WITH FINAL WORK AS DIRECTED BY THE ENGINEER.
4. CONSTRUCT TEMPORARY RUMBLE STRIPS AT LOCATIONS SHOWN ON STANDARD 701321.
5. ERECT SIGNS AND TYPE III BARRICADES AS SHOWN AND AS DIRECTED BY THE ENGINEER TO CLOSE SIDEROAD (400N) DURING STAGE II CONSTRUCTION, COST INCLUDED WITH STANDARD 701321.



- LEGEND**
- TRAFFIC SIGNAL WITH BACKPLATE SIGNAL DIRECTION INDICATED
 - ▨ TEMPORARY RAMP
 - ▨ HMA SURFACE REMOVAL, SPECIAL
 - ▨ APPROACH SLAB REMOVAL



SECTION A-A



SECTION B

ESCA CONSULTANTS, INC.

DESIGNED BY:	JMS/MTD	05/07
DRAWN BY:	cj	05/07
CHECKED BY:	MTD	06/07
APPROVED BY:	RDP	06/07

STAGE II CONSTRUCTION
IL 34/145 OVER SOUTH FORK
SALINE RIVER
FAP ROUTE 132 - SECTION 1BR-2
SALINE COUNTY
STATION 235+10.00
STRUCTURE NO. 083-0019

MATCHLINE THIS SHEET

MATCHLINE THIS SHEET