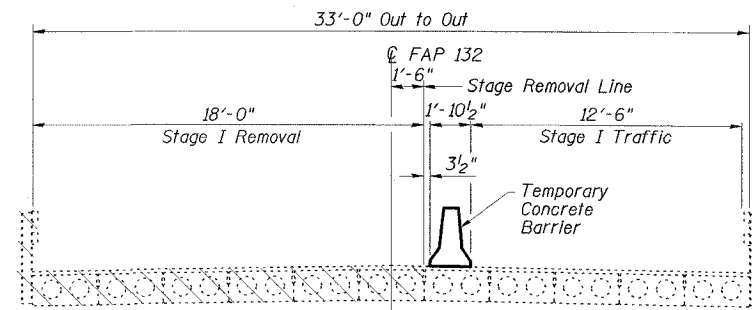


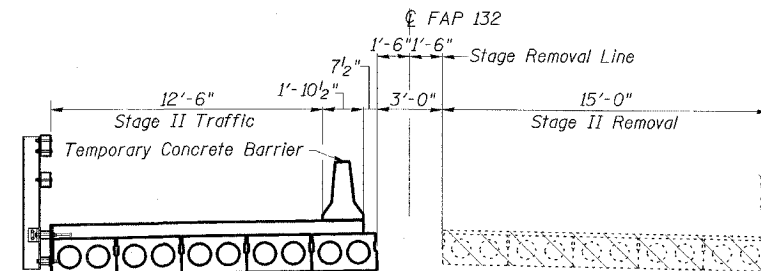
STATE OF ILLINOIS  
DEPARTMENT OF TRANSPORTATION

ROUTE NO.	SECTION	COUNTY	LOCAL AGENCIES	SHEET NO.	SHEET NO. 3 13 SHEETS
FAP 132	IBR-1	SALINE	114	25	
FED. ROAD DIST. NO.	ILLINOIS	FED. AID PROJECT			

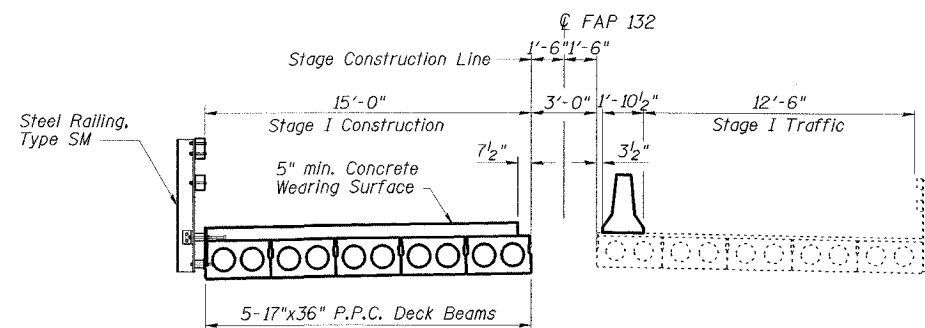
78010



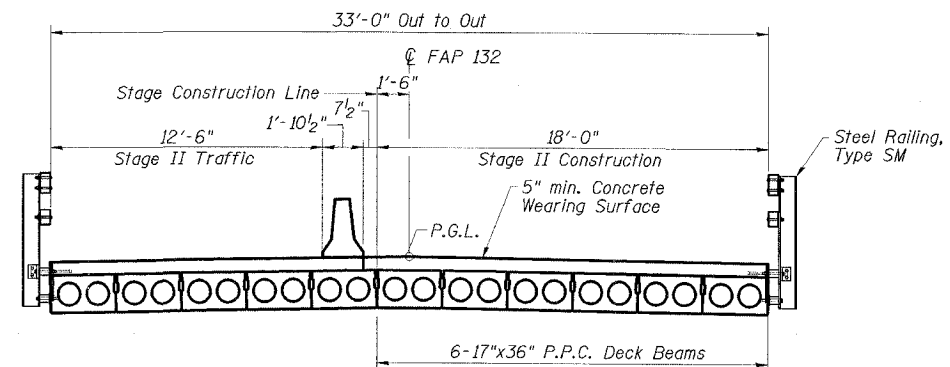
STAGE I REMOVAL



STAGE II REMOVAL



STAGE I CONSTRUCTION



STAGE II CONSTRUCTION

STAGE CONSTRUCTION NOTES

1. All staging sections are looking North.
2. See Dwg. No. 5 of 13 for shear key clamping details.
3. For quantity of Temporary Concrete Barrier, see Roadway Plans.

**ESCA**  
CONSULTANTS, INC.

DESIGNED BY:	JMS	05/07
DRAWN BY:	HAS	05/07
CHECKED BY:	MTD	06/07
APPROVED BY:	RDP	06/07

STAGE CONSTRUCTION DETAILS  
IL 34/145 OVER BRIER CREEK  
FAP ROUTE 132 - SECTION IBR-1  
SALINE COUNTY  
STATION 102+28.00  
STRUCTURE NO. 083-0018