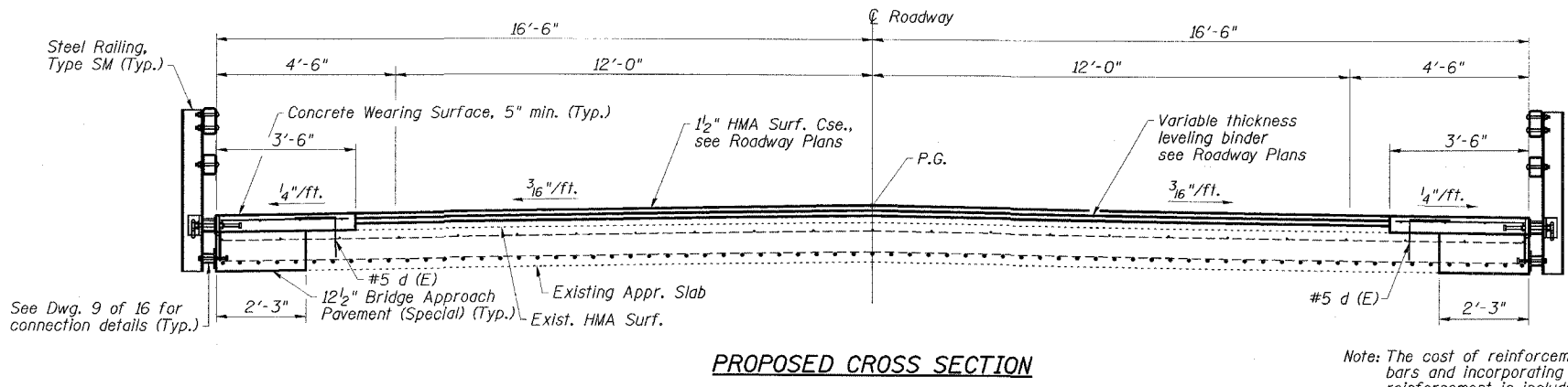
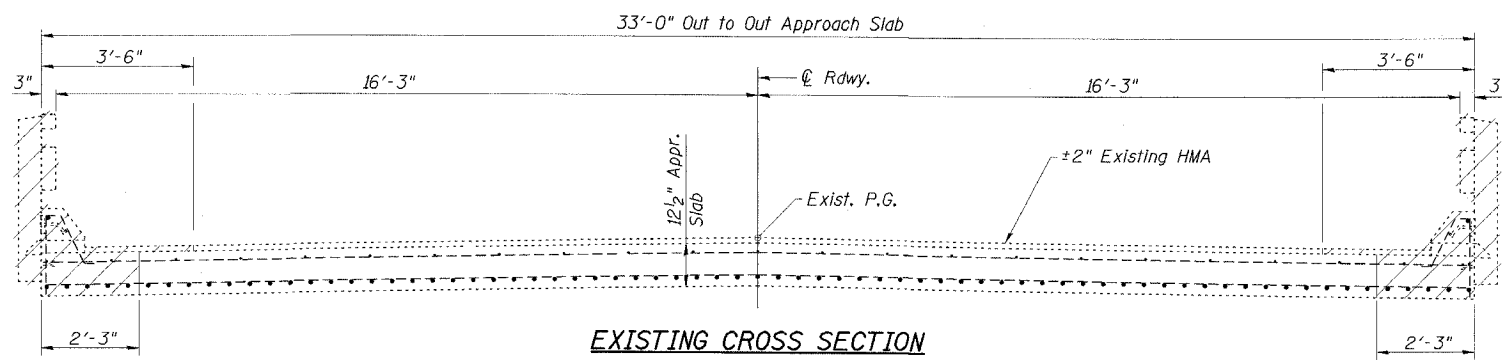
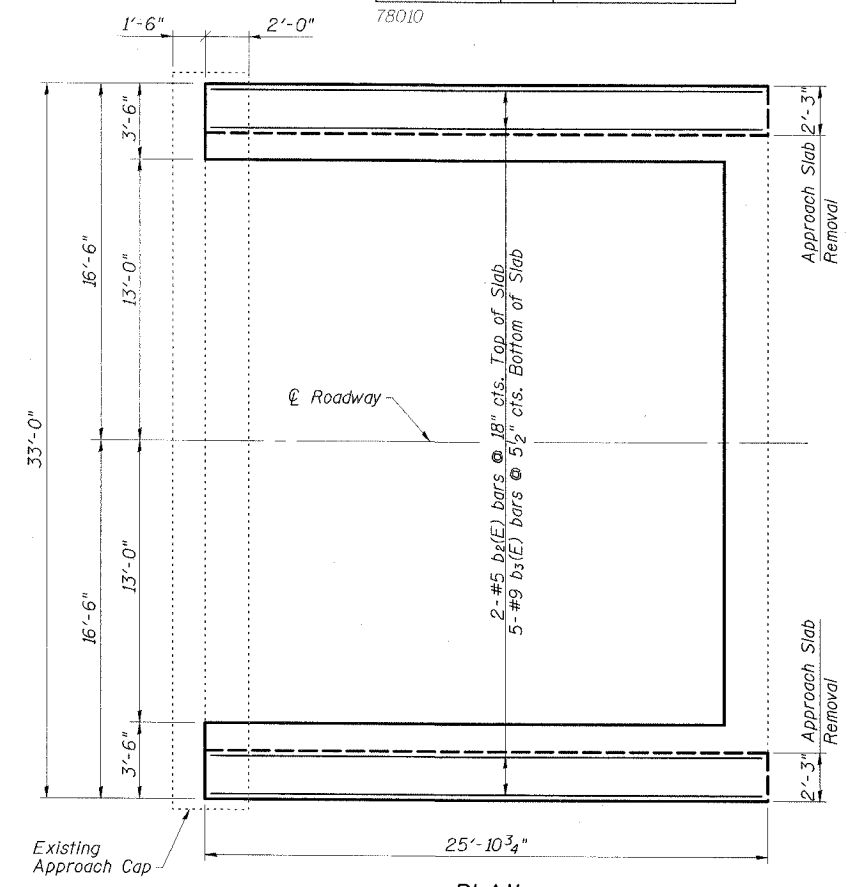


STATE OF ILLINOIS
DEPARTMENT OF TRANSPORTATION

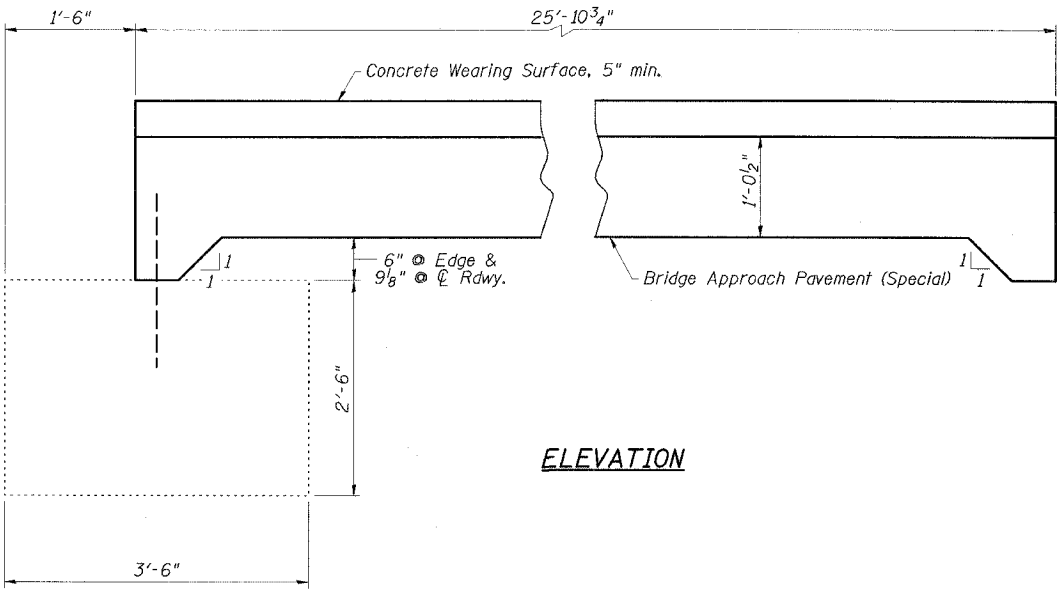
ROUTE NO.	SECTION	COUNTY	POST MILE	SHEET	SHEET NO. 7 16 SHEETS
FAP 132	IBR-2	SALINE	114	49	
FED. ROAD DIST. NO.	ILLINOIS	FED. AID PROJECT			



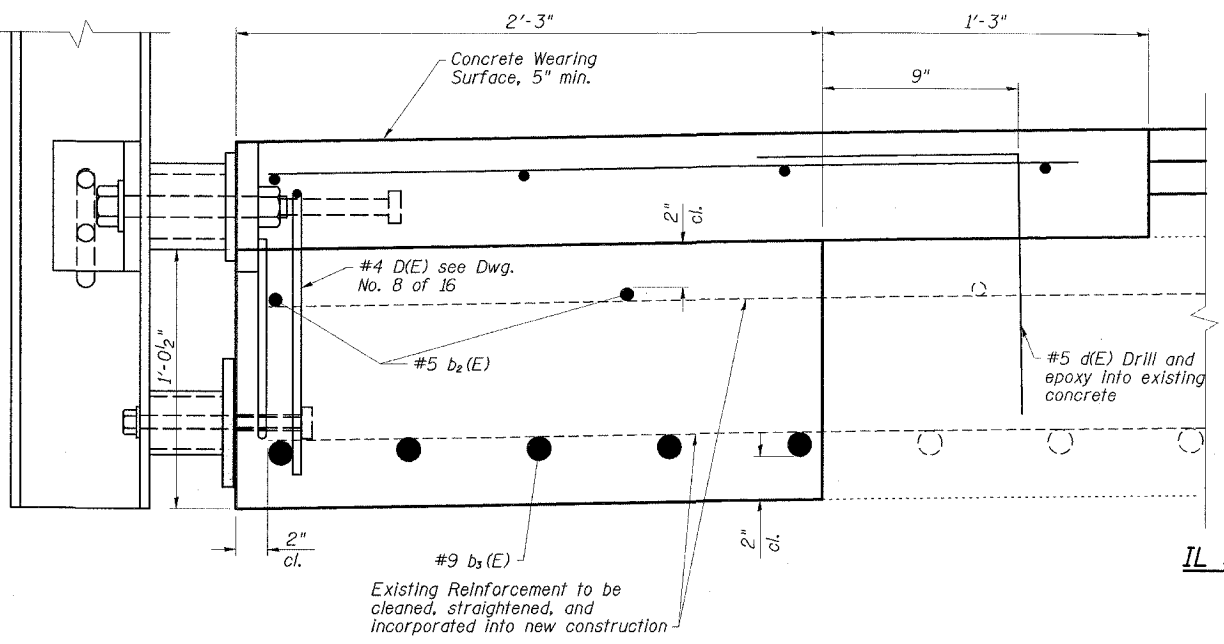
Note: The cost of reinforcement bars and incorporating existing reinforcement is included in Bridge Approach Pavement (Special)



PLAN
(N. Approach shown, S. Approach similar)



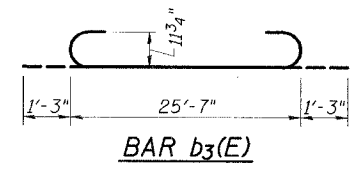
ELEVATION



ENLARGED SECTION THRU BRIDGE APPROACH PAVEMENT

**TWO APPROACHES
BILL OF MATERIAL**

ITEM	UNIT	QUANTITY
Bridge Approach Pav't (Special)	Sq. Yd.	26
Approach Slab Removal	Sq. Yd.	26



APPROACH DETAILS
IL 34/145 OVER SOUTH FORK SALINE RIVER
FAP ROUTE 134 - SECTION IBR-2
SALINE COUNTY
STATION 235+10.00
STRUCTURE NO. 083-0019

ESCA
CONSULTANTS, INC.

DESIGNED BY:	JMS	05/07
DRAWN BY:	HAS	05/07
CHECKED BY:	MTD	06/07
APPROVED BY:	RDP	06/07