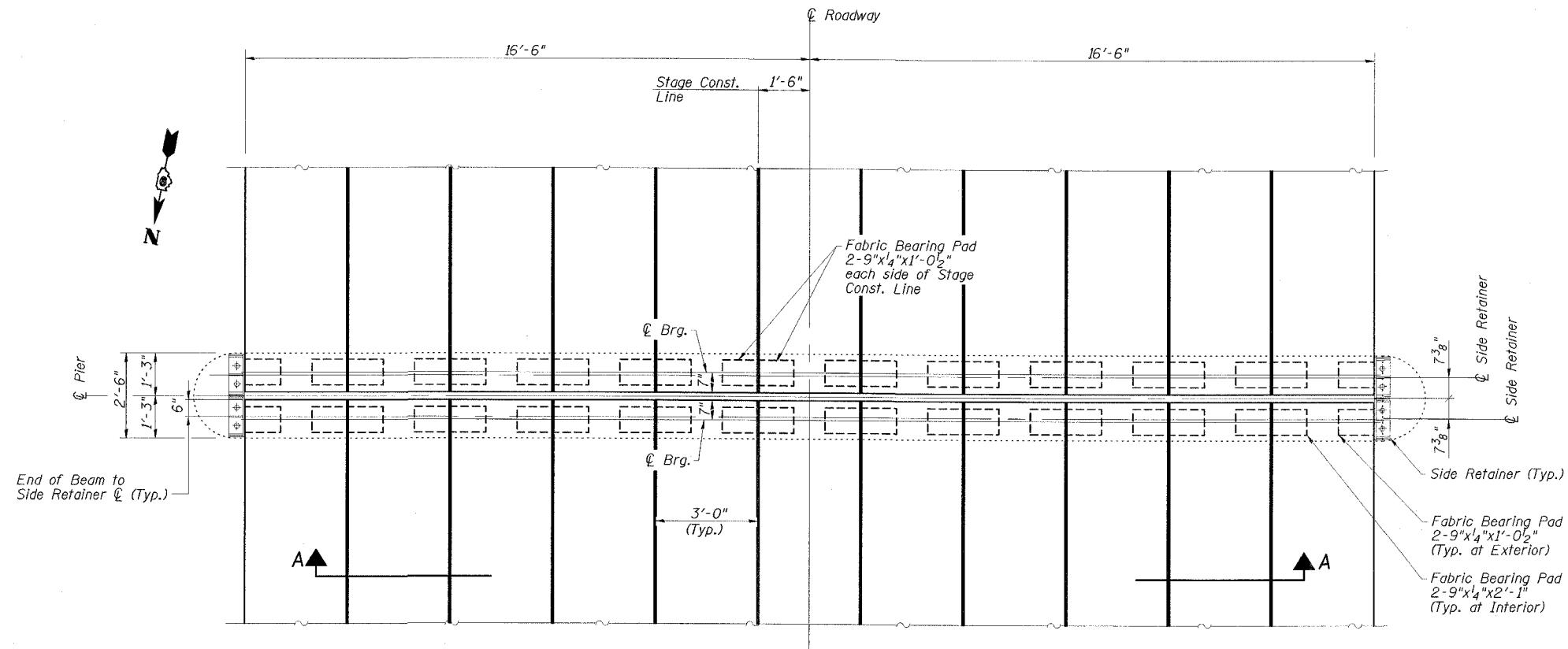


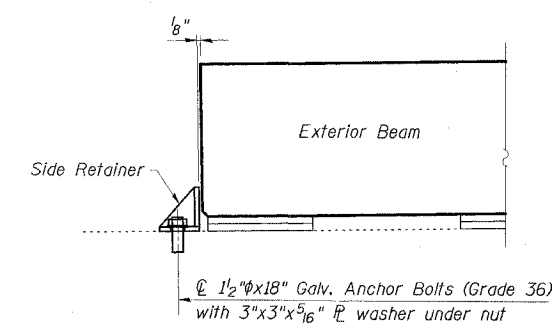
STATE OF ILLINOIS
DEPARTMENT OF TRANSPORTATION

ROUTE NO.	SECTION	COUNTY	DATE	SHEET	SHEET NO. 15 16 SHEETS
FAP 132	IBR-2	SALINE	114	57	
FED. ROAD DIST. NO.	ILLINOIS	FED. AID PROJECT			

78010



PIER BEARING SEAT PLAN
(Concrete wearing surface and expansion joint not shown)



EXTERIOR BEAM RETAINER DETAILS
(4 Required)

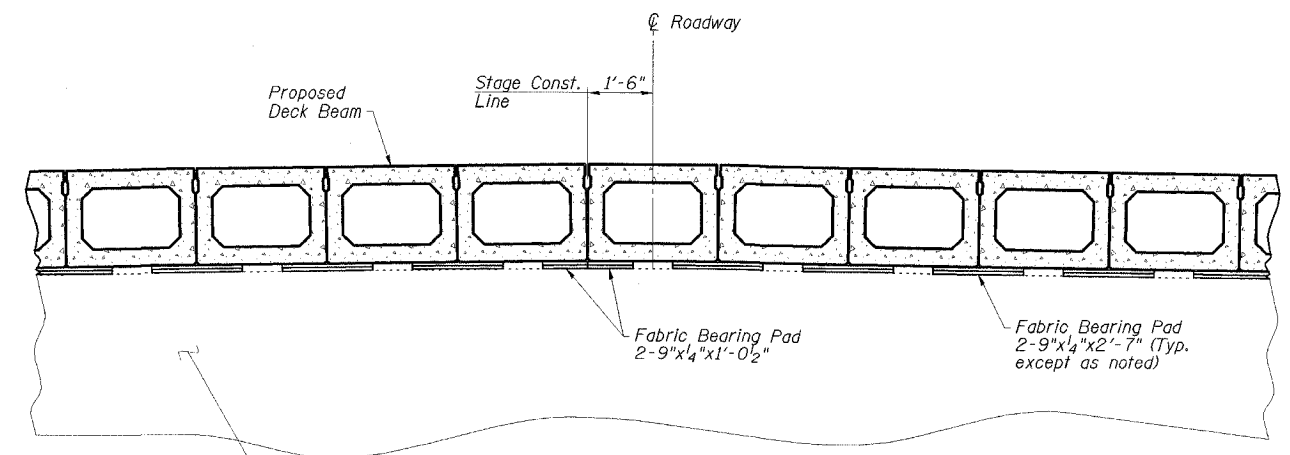
Cost of Retainer Angles, Anchor Bolts & accessories are included with Precast Prestressed Concrete Deck Beams.

Fill 1/8" gap with shim to provide temporary lateral support until shear keys have been grouted and concrete wearing surface has been placed.

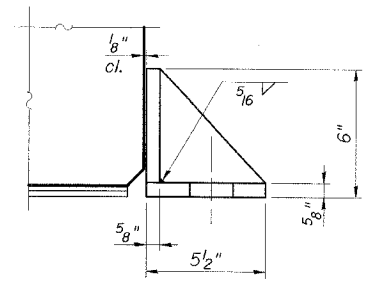
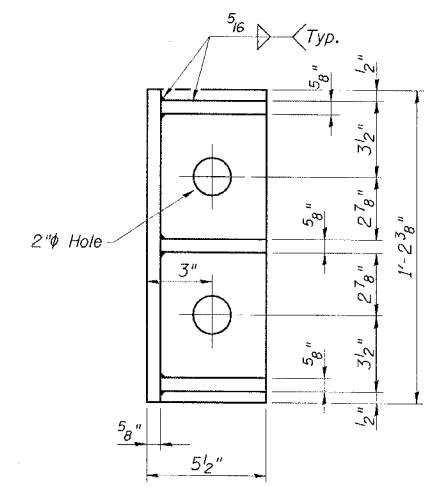
Anchor bolts shall be ASTM F1554 all-thread (or an Engineer-approved alternate material) of the grade(s) and diameter(s) specified. ASTM A307 Grade C anchor bolts may be used in lieu of ASTM F1554 Grade 36 (Fy=36ksi). The corresponding specified grade of AASHTO M314 anchor bolts may be used in lieu of ASTM F1554.

Anchor bolts for side retainers may be cast in place or installed in holes drilled before or after members are in place.

Drilled and set anchor bolts shall be installed according to Article 521.06 of the Standard Specifications.



SECTION A-A
(Concrete wearing surface not shown)



SIDE RETAINER
Equivalent rolled angle with stiffeners will be allowed in lieu of welded plates.

PIER DETAILS
IL 34/145 OVER SOUTH FORK SALINE RIVER
FAP ROUTE 132 - SECTION IBR-2
SALINE COUNTY
STATION 235+10.00
STRUCTURE NO. 083-0019

ESCA
CONSULTANTS, INC.

DESIGNED BY:	JMS	05/07
DRAWN BY:	HAS	05/07
CHECKED BY:	MTD	06/07
APPROVED BY:	RDP	06/07