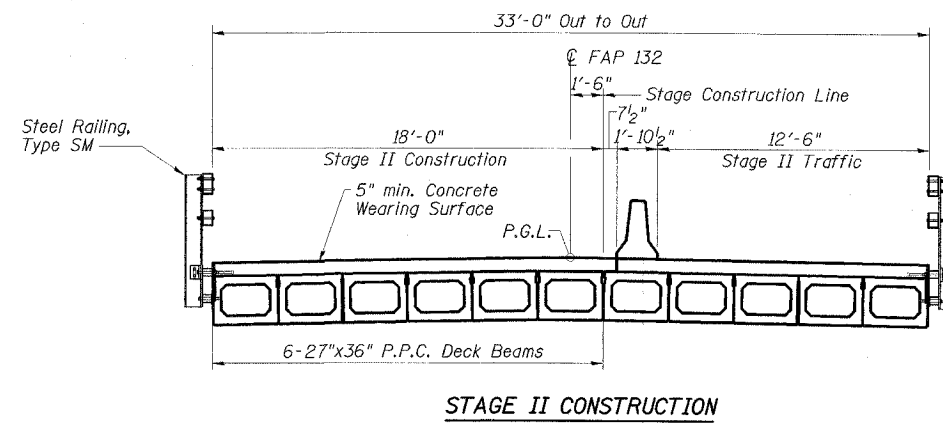
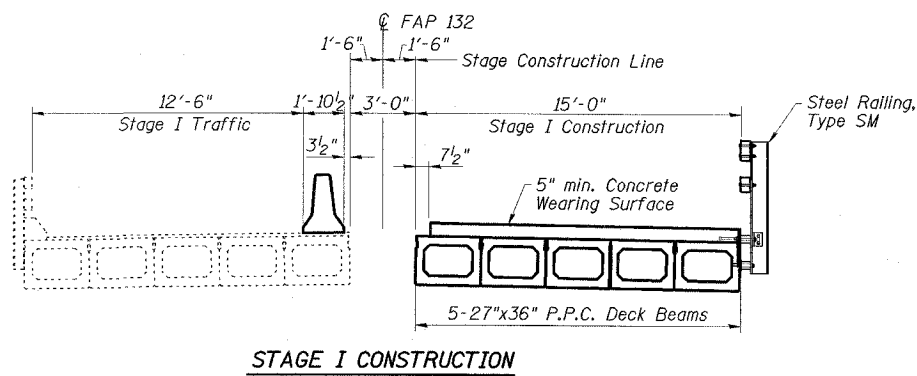
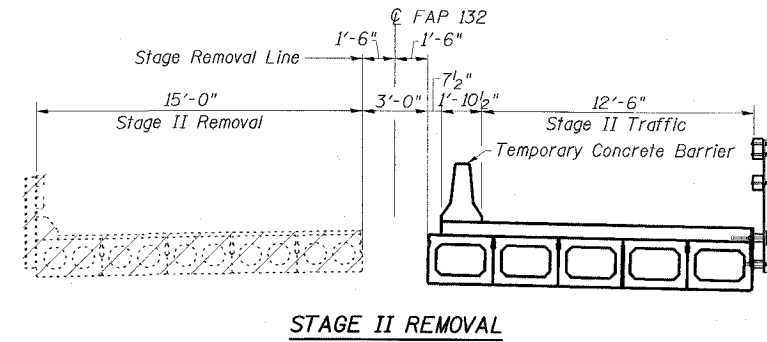
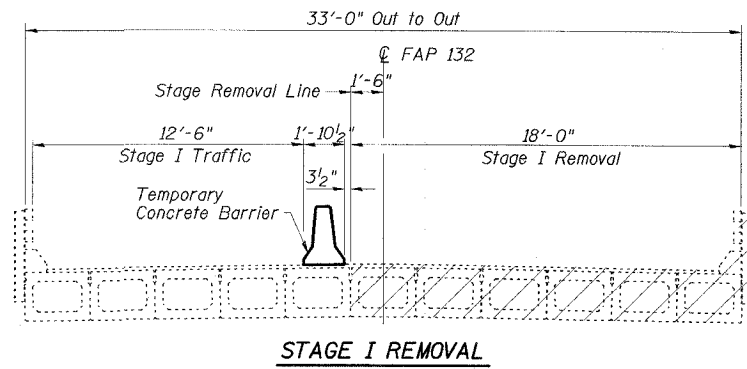


STATE OF ILLINOIS
DEPARTMENT OF TRANSPORTATION

ROUTE NO.	SECTION	COUNTY	SHEETS	SHEET NO.
FAP 132	1BR-3	SALINE	114	68
FED. ROAD DIST. NO.		ILLINOIS	FED. AID PROJECT	
			78010	

SHEET NO. 3
16 SHEETS



STAGE CONSTRUCTION NOTES

1. All staging sections are looking North.
2. See Dwg. No. 5 of 16 for shear key clamping details.
3. For quantity of Temporary Concrete Barrier, see Roadway Plans.

ESCA
CONSULTANTS, INC.

DESIGNED BY:	JMS	05/07
DRAWN BY:	HAS	05/07
CHECKED BY:	MTD	06/07
APPROVED BY:	RDP	06/07

STAGE CONSTRUCTION DETAILS
IL 34/145 OVER SOUTH FORK
SALINE RIVER OVERFLOW
FAP ROUTE 132 - SECTION 1BR-3
SALINE COUNTY
STATION 244+40.00
STRUCTURE NO. 083-0020