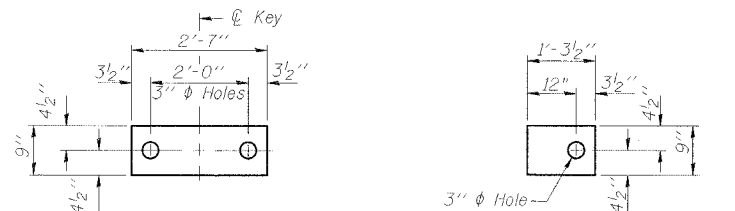


STATE OF ILLINOIS  
DEPARTMENT OF TRANSPORTATION

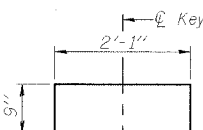
ROUTE NO.	SECTION	COUNTY	DATE	SHEET
FAP 132	IBR-3	SALINE	114	71
FED. ROAD DIST. NO.		ILLINOIS	FED. AID PROJECT	
78010				

SHEET NO. 6  
16 SHEETS

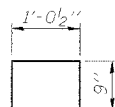


**FABRIC BEARING PAD**  
(Interior)

**FABRIC BEARING PAD**  
(Exterior and Stage Construction Line)



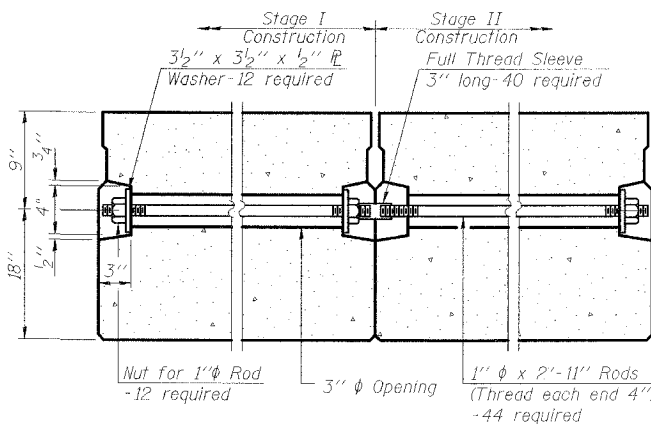
**FIXED**



**FABRIC BEARING PAD**  
(Interior)

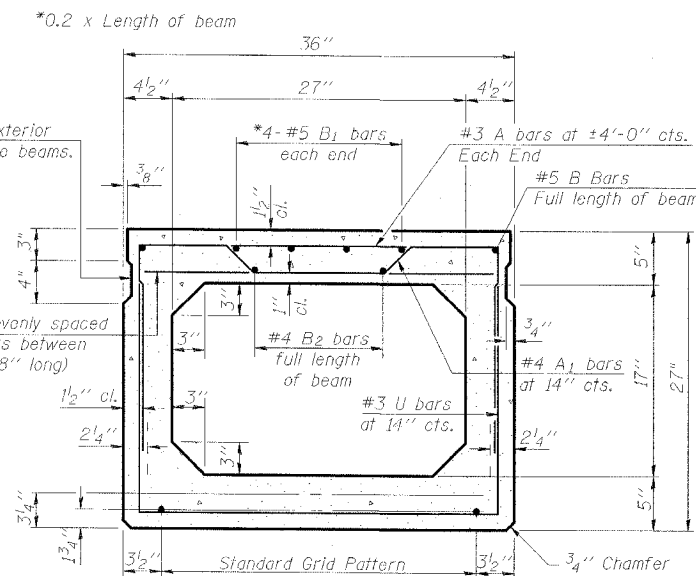
**FABRIC BEARING PAD**  
(Exterior and Stage Construction Line)

**EXPANSION**



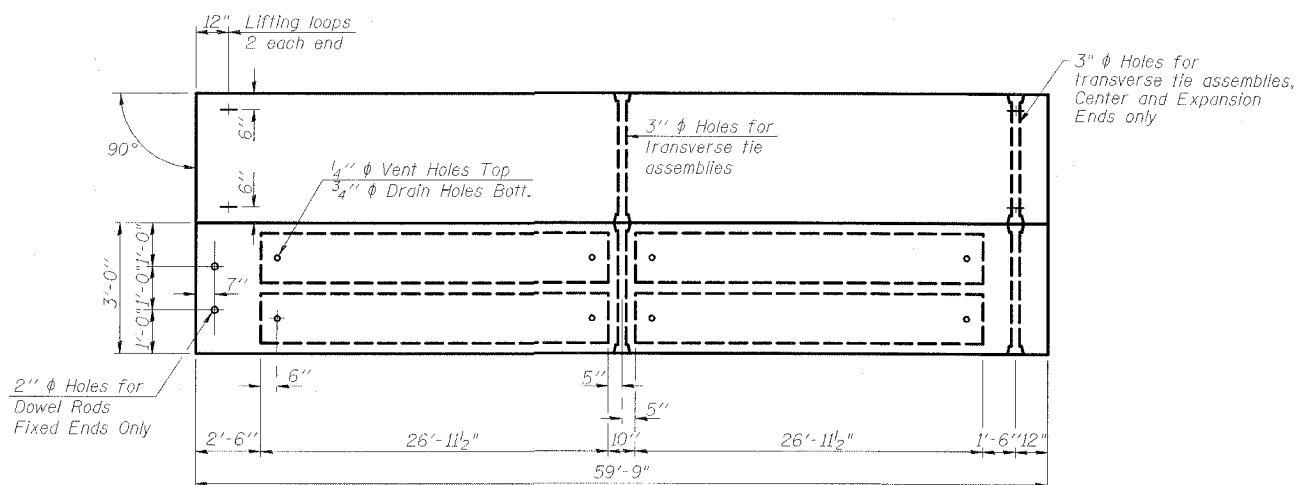
**TYPICAL TRANSVERSE TIE ASSEMBLY**

- Notes:
- Place strands symmetrically about  $\bar{C}$  of beam.
  - See Dwg. 8 of 16 for add'l. details applicable to fascia beams.

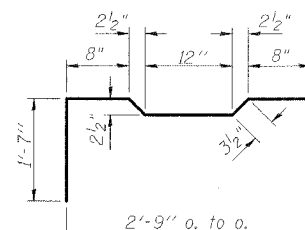


**TYPICAL SECTION**

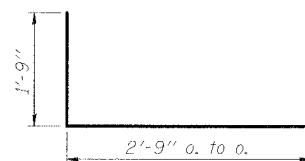
14-1/2"  $\phi$  Strands, Each Strand Stressed to 30,900 Lbs.  
6-Strands 1 3/4" up, 6-Strands 3/4" up, 2-Strands 4 1/2" up



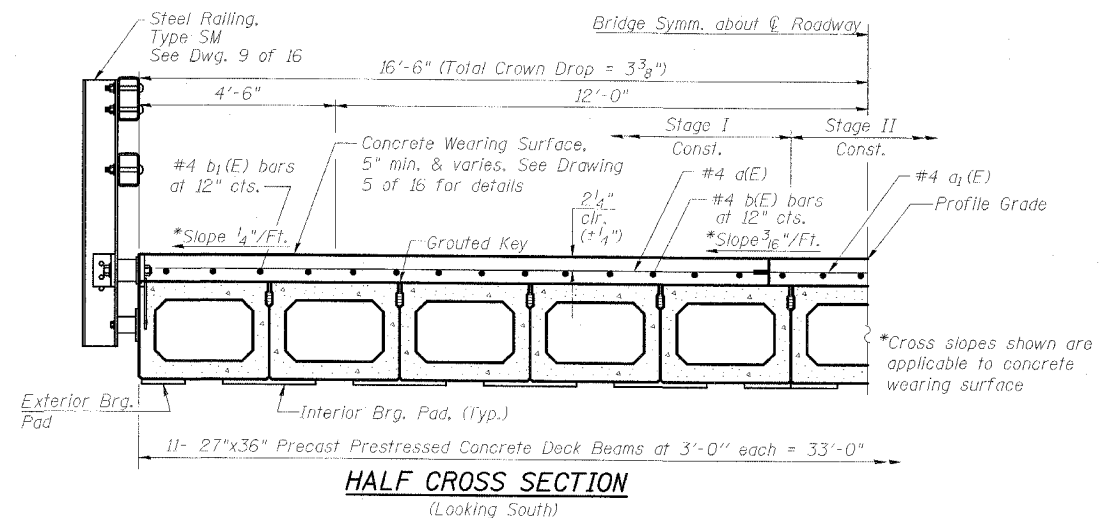
**PLAN**



**BAR A1**



**BARS U & U1**



**HALF CROSS SECTION**  
(Looking South)

**NOTES**

Prestressing steel shall be uncoated high strength, low relaxation 7-wire strand, Grade 270. The nominal diameter shall be 1/2" and the nominal cross-sectional area shall be 0.153 sq. in. Lifting loops shall be 2-1/2"  $\phi$ -270 ksi strands, as shown. The 1"  $\phi$  rods in the transverse tie assembly shall be tightened to a snug fit and the threads set. Pockets that receive transverse tie bar on outside shall be filled with grout after transverse tie assembly is in place. Non prestressing steel shall conform to ASTM A 706 (IL MOD), Grade 60. The bearing seat surfaces shall be adjusted by shimming to assure firm and even bearing. Two 1/8" fabric adjusting shims of the dimensions of the Exterior Bearing Pad shall be provided for each bearing. Keyway surfaces shall be cleaned to remove form oil or other bond breaking material prior to shipment of the beams. Cleaning shall be done by sandblasting the keyway areas between top of the beam and the bottom edge of the key. Corrosion Inhibitor, per Article 1020.05(b)(12) of the Standard Specifications, shall be used in the concrete for precast prestressed concrete deck beams. Required Release Strength, f'ci, shall be 4000 p.s.i. See Dwg. 2 of 16 for location of rail anchors and additional notes.

**BILL OF MATERIAL**

Item	Unit	Quantity
Precast Prestressed Conc. Deck Bms. (27")	Sq. Ft.	3944

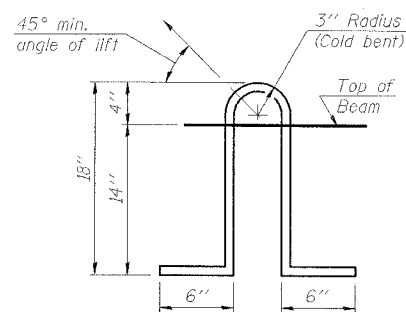
**SUPERSTRUCTURE DETAILS**  
**IL 34/145 OVER SOUTH FORK**  
**SALINE RIVER OVERFLOW**  
**FAP ROUTE 132 - SECTION IBR-3**  
**SALINE COUNTY**  
**STATION 244+40.00**  
**STRUCTURE NO. 083-0020**

**ESCA**  
CONSULTANTS, INC.

DESIGNED BY:	JMS	05/07
DRAWN BY:	HAS	05/07
CHECKED BY:	MTD	06/07
APPROVED BY:	RDP	06/07

PD-5-S

11-1-06



**LIFTING LOOP DETAIL**