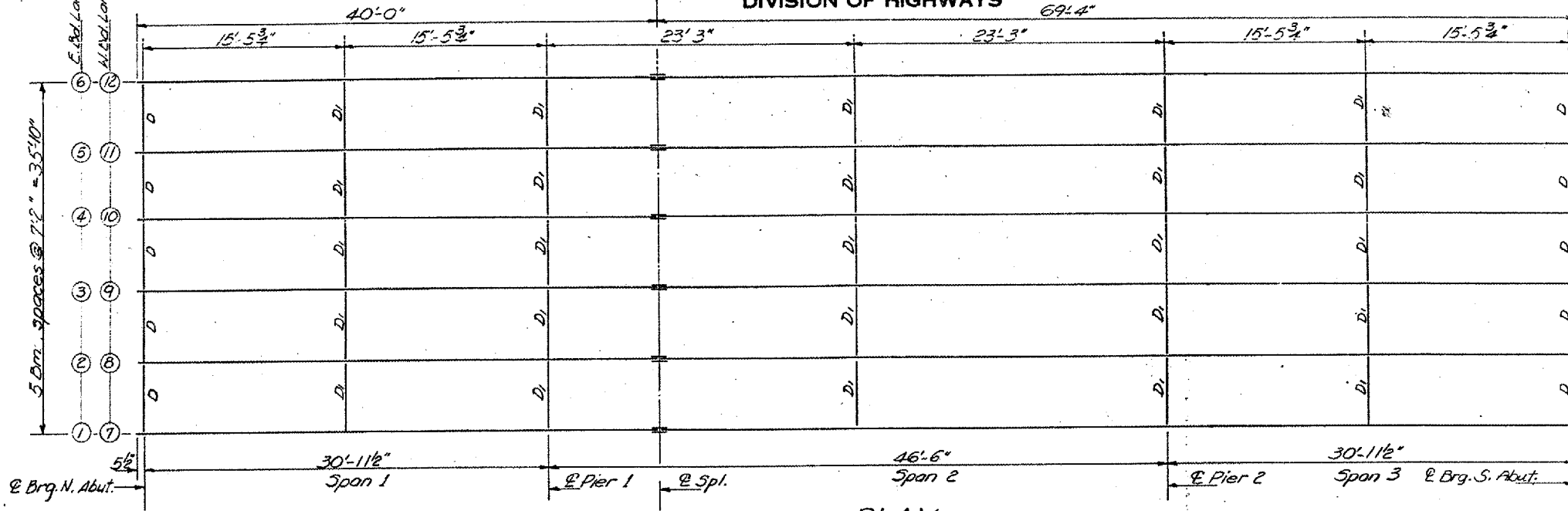
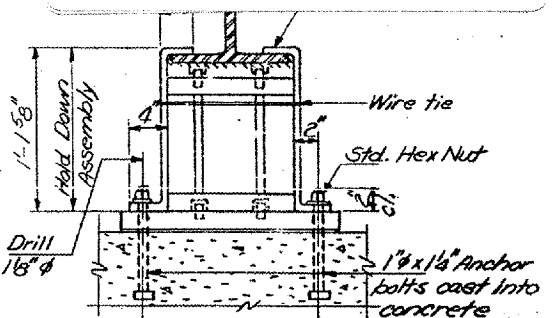


STATE OF ILLINOIS
DEPARTMENT OF PUBLIC WORKS & BUILDINGS
DIVISION OF HIGHWAYS

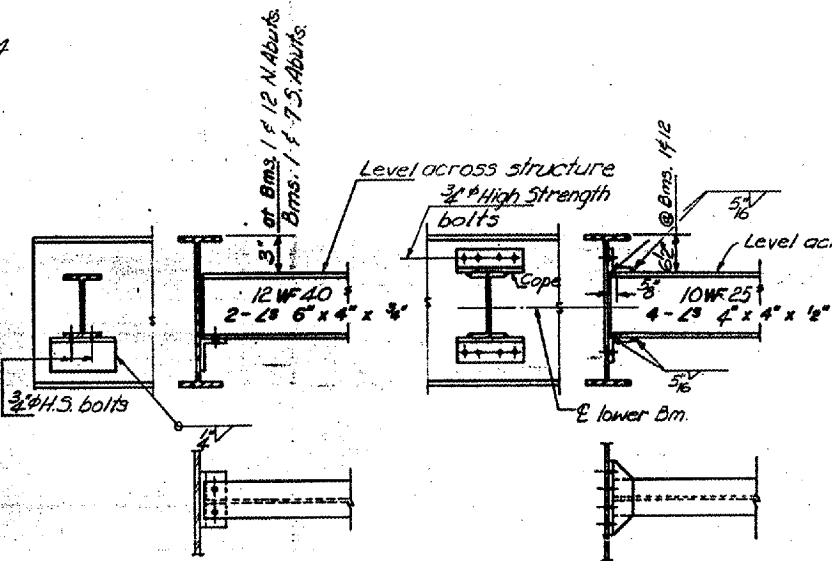
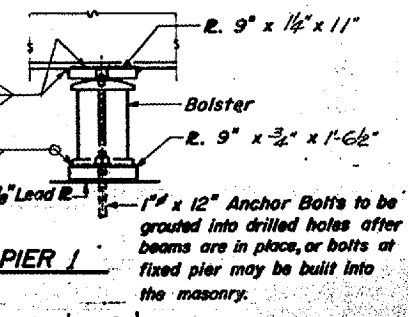
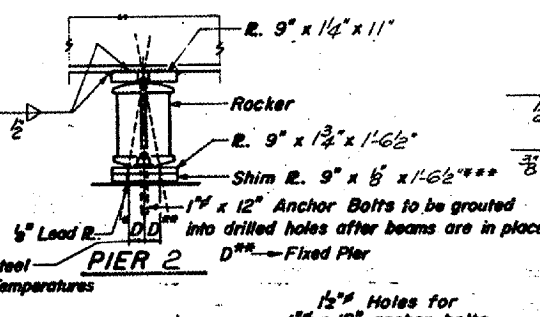
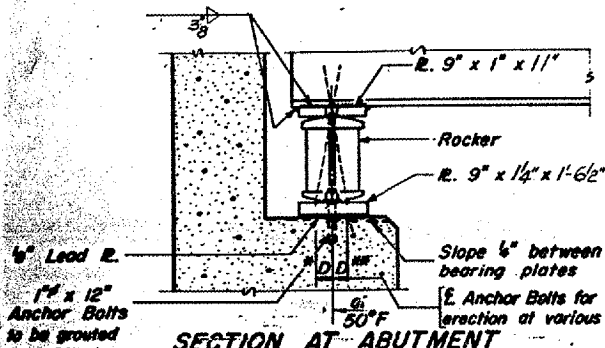
FAI 24
D9 BRIDGE PAINTING FY 08-1
JOHNSON & WILLIAMSON COUNTIES
CONTRACT 78020
SHEET 8 OF 35



PLAN
All Bms. 27 WF 94



BEAM HOLD DOWN DETAIL
Note:
Beams shall be held down at the Abutment on the opposite end of Bridge from which the deck pour is commenced. After pouring is complete the Hold Down Assembly shall be removed and Nuts placed on Anchor Bolts. Cost of Hold Down Assembly, incidental to Class X Concrete.



DIAPHRAGM D
20 Req'd.

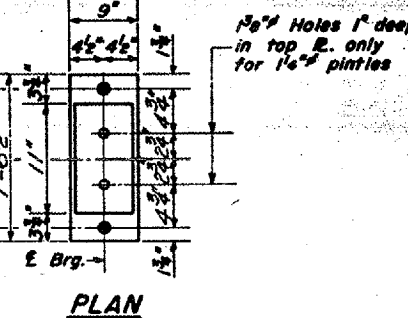
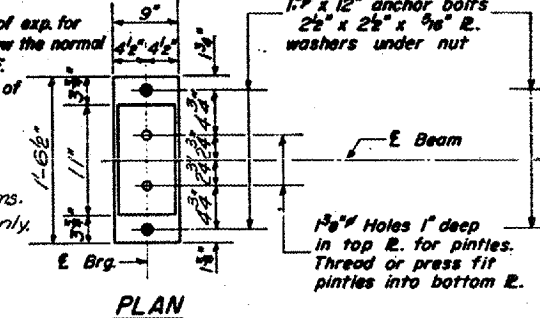
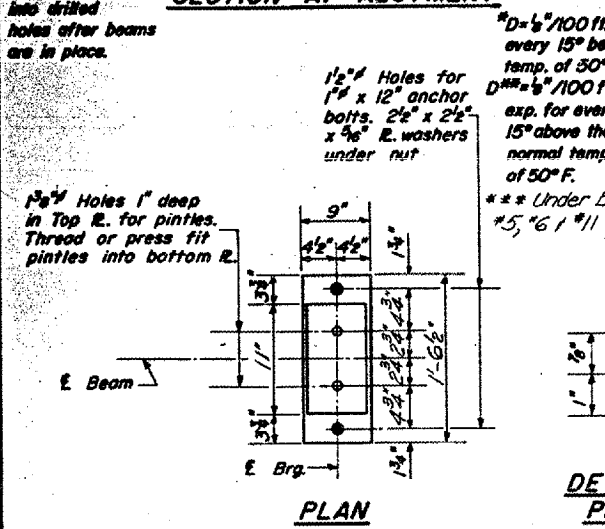
DIAPHRAGM D1
50 Req'd.

ELEVATION TOP OF 27WF94 (E.B.L.)

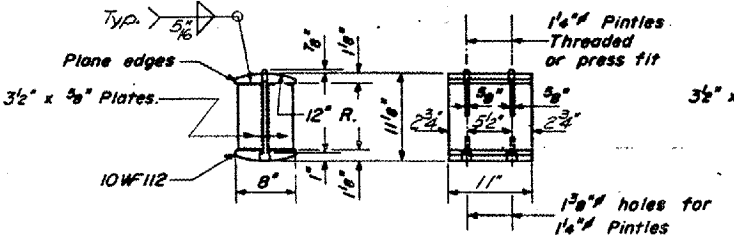
Beam No.	E Brg. N. Abut.	E Brg. Pier 1	E Splice	E Brg. Pier 2	E Brg. S. Abut.
1	401.91	402.04	402.08	402.24	402.38
2	402.06	402.19	402.23	402.39	402.53
3	402.17	402.30	402.34	402.50	402.64
4	402.23	402.36	402.40	402.56	402.70
5	402.12	402.25	402.29	402.51	402.70
6	401.99	402.12	402.16	402.45	402.70

ELEVATION TOP OF 27WF94 (W.B.L.)

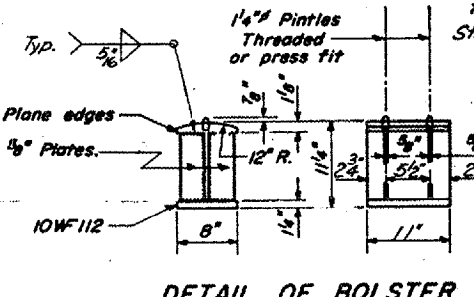
Beam No.	E Brg. N. Abut.	E Brg. Pier 1	E Splice	E Brg. Pier 2	E Brg. S. Abut.
7	401.99	402.12	402.16	402.32	402.46
8	402.12	402.25	402.29	402.45	402.59
9	402.23	402.36	402.40	402.56	402.70
10	402.17	402.30	402.34	402.50	402.64
11	402.06	402.19	402.23	402.45	402.64
12	401.91	402.04	402.08	402.38	402.64



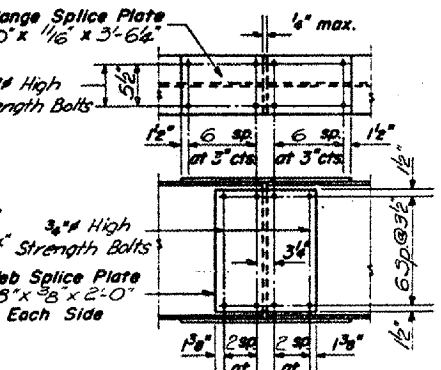
DETAIL OF PINTLE



DETAIL OF ROCKER AT ABUTS & PIER 2



DETAIL OF BOLSTER AT PIER 1



DETAIL OF SPLICE

DESIGNED: J.M. Patel
CHECKED: Nathan K. Choudhury
DRAWN: W.A. Soussan Jr.
EXAMINED: [Signature]
PASSED: W.C. Bauman
APPROVED: [Signature]

BRIDGE NO. 1
S.N. 044-0041
FOR INFORMATION ONLY

FRAMING PLAN
FAI RT. 24 SEC. 44-5HB-2
JOHNSON COUNTY
STA. 408+61.70