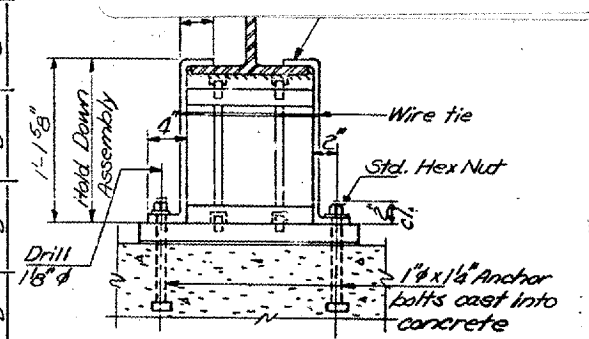
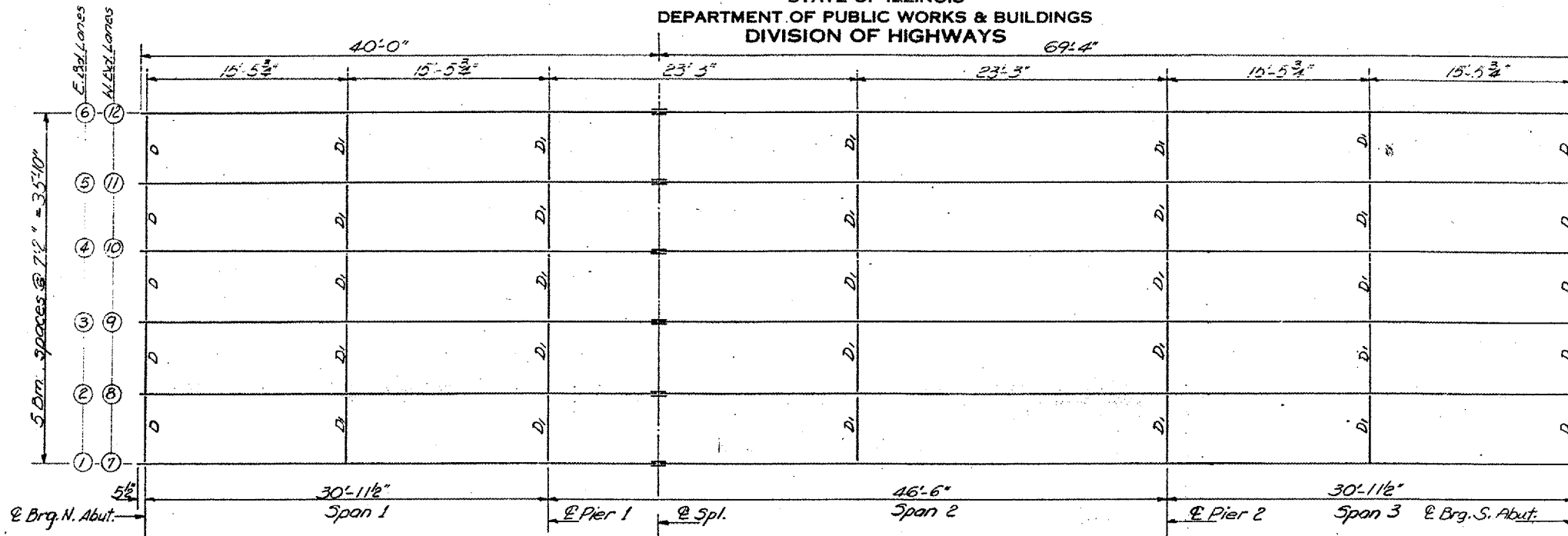


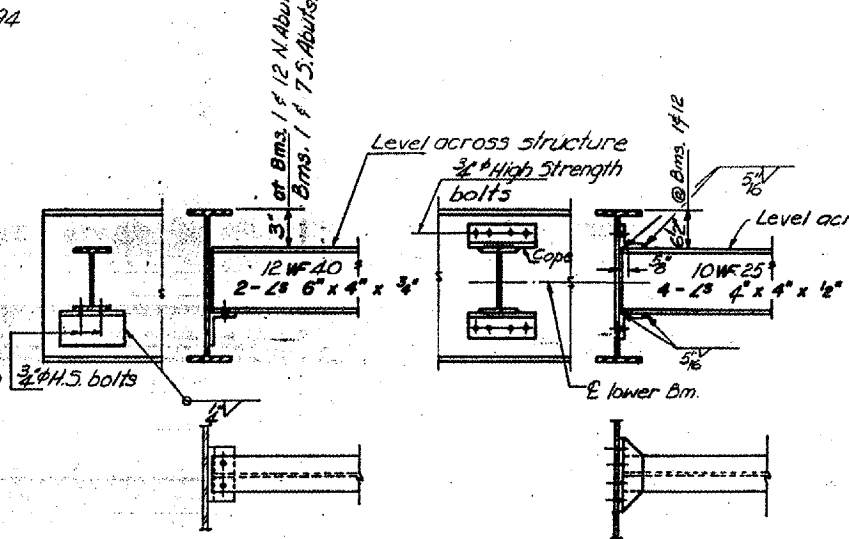
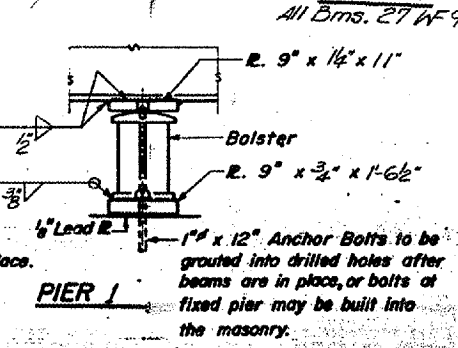
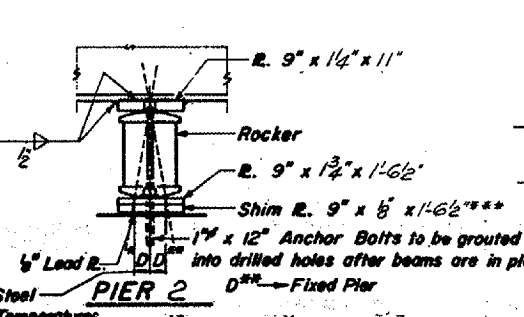
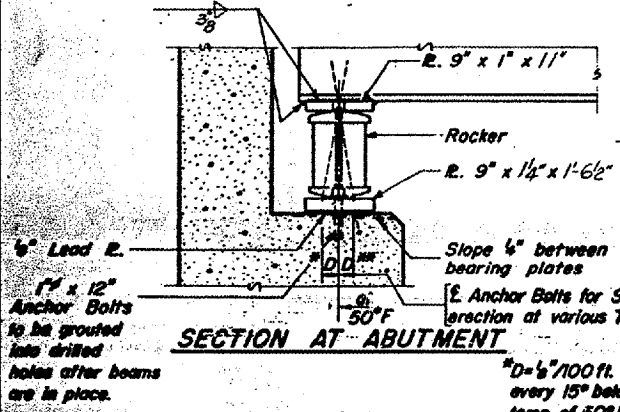
STATE OF ILLINOIS  
DEPARTMENT OF PUBLIC WORKS & BUILDINGS  
DIVISION OF HIGHWAYS 69-4

FAI 24  
D9 BRIDGE PAINTING FY 08-1  
JOHNSON & WILLIAMSON COUNTIES  
CONTRACT 78020  
SHEET 13 OF 35



**BEAM HOLD DOWN DETAIL**  
Note: Beams shall be held down at the Abutment on the opposite end of Bridge from which the deck pour is commenced. After pouring is complete the Hold Down Assembly shall be removed and Nuts placed on Anchor Bolts. Cast of Hold Down Assembly, incidental to Class X Concrete.

PLAN  
All Brms. 27 WF 94



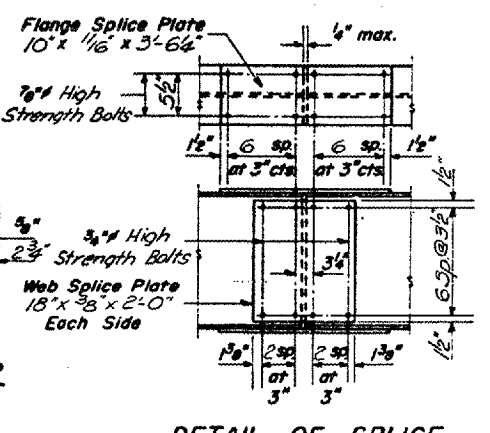
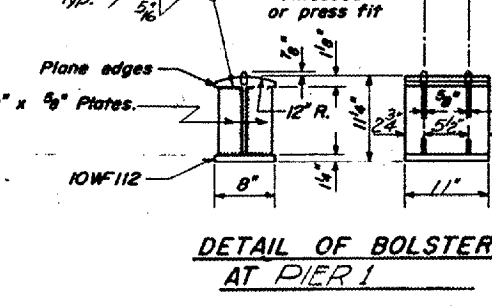
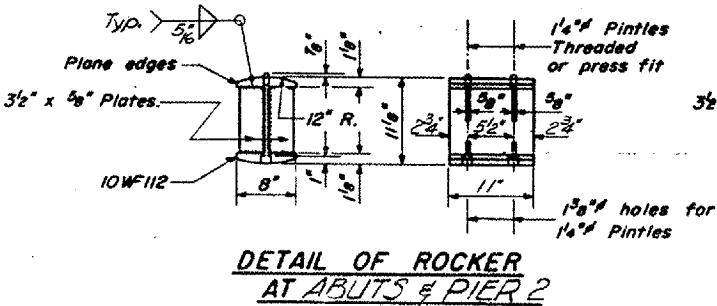
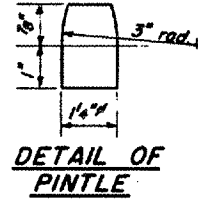
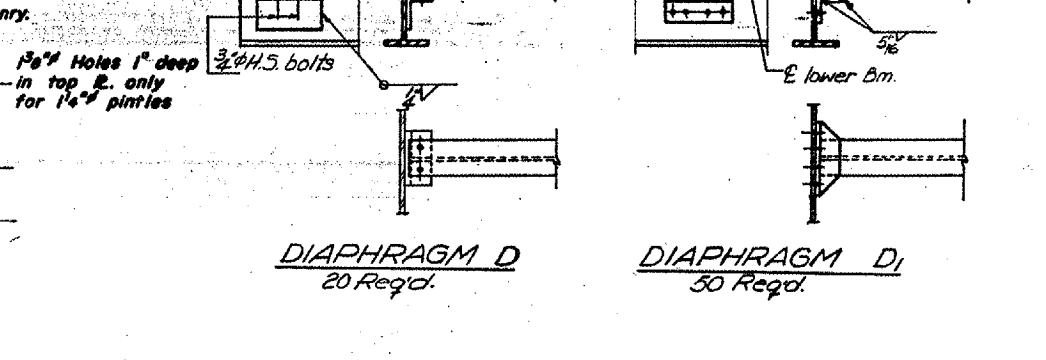
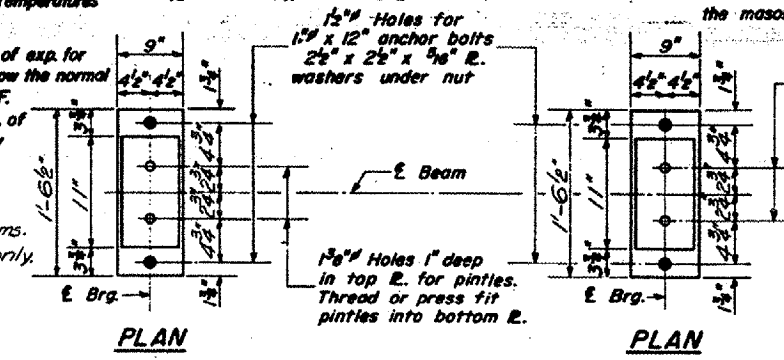
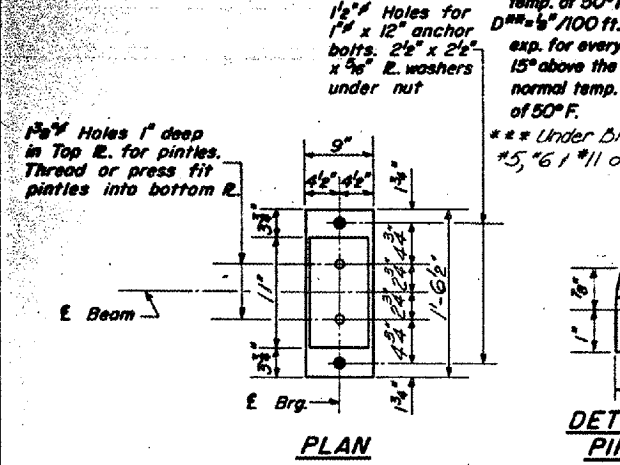
ELEVATION TOP OF 27WF94 (E.B.L.)

Beam No.	E. Brg. N. Abut.	E. Brg. Pier 1	E. Brg. Splice	E. Brg. Pier 2	E. Brg. S. Abut.
1	401.91	402.04	402.08	402.24	402.38
2	402.06	402.19	402.23	402.39	402.53
3	402.17	402.30	402.34	402.50	402.64
4	402.23	402.36	402.40	402.56	402.70
5	402.12	402.25	402.29	402.51	402.70
6	401.99	402.12	402.16	402.45	402.70

ELEVATION TOP OF 27WF94 (W.B.L.)

Beam No.	E. Brg. N. Abut.	E. Brg. Pier 1	E. Brg. Splice	E. Brg. Pier 2	E. Brg. S. Abut.
7	401.99	402.12	402.16	402.32	402.46
8	402.12	402.25	402.29	402.45	402.59
9	402.23	402.36	402.40	402.56	402.70
10	402.17	402.30	402.34	402.50	402.64
11	402.06	402.19	402.23	402.45	402.64
12	401.91	402.04	402.08	402.38	402.64

BRIDGE NO. 2  
S.N. 044-0042  
FOR INFORMATION ONLY



DESIGNED: J. M. Patel  
CHECKED: Nathan K. Chandrasekhar  
PG. Barnett  
DRAWN: W. A. Sausaman Jr.  
CHECKED: Nathan K. Chandrasekhar

EXAMINED: [Signature]  
TAKEN: [Signature]  
[Signature]

Aug. 21 1970

FRAMING PLAN  
FAI RT 24 SEC. 44-5HB-2  
JOHNSON COUNTY  
STA. 408+61.70