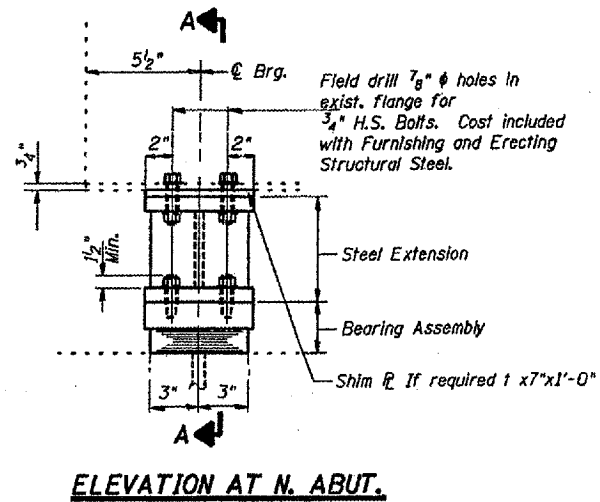
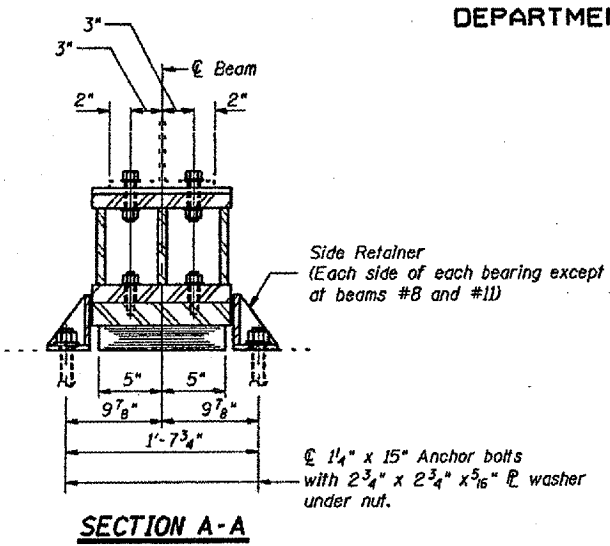


STATE OF ILLINOIS
DEPARTMENT OF TRANSPORTATION

FAI 24
D9 BRIDGE PAINTING FY 08-1
JOHNSON & WILLIAMSON COUNTIES
CONTRACT 78020
SHEET 14 OF 35



TYPE I ELASTOMERIC EXP. BRG.

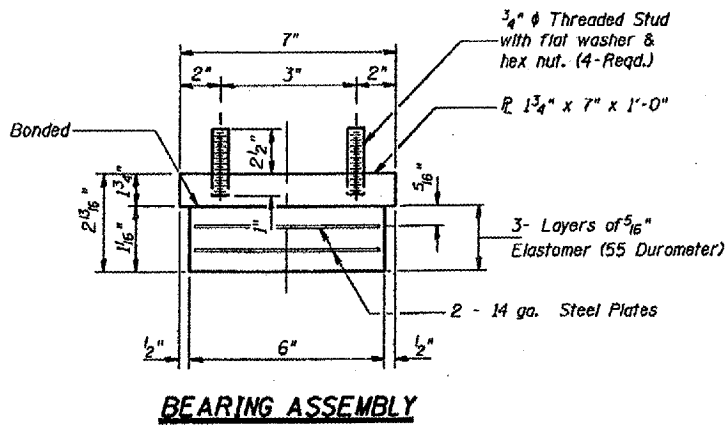
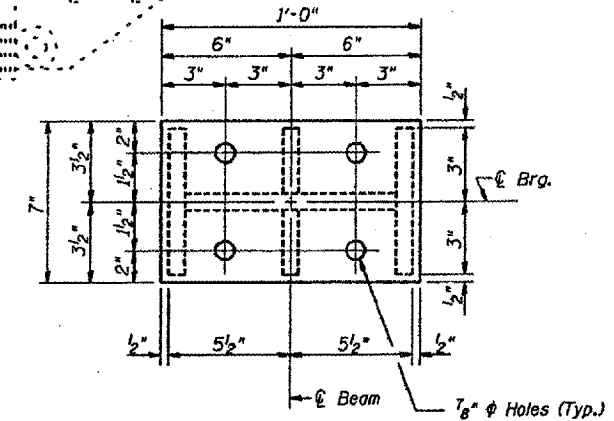
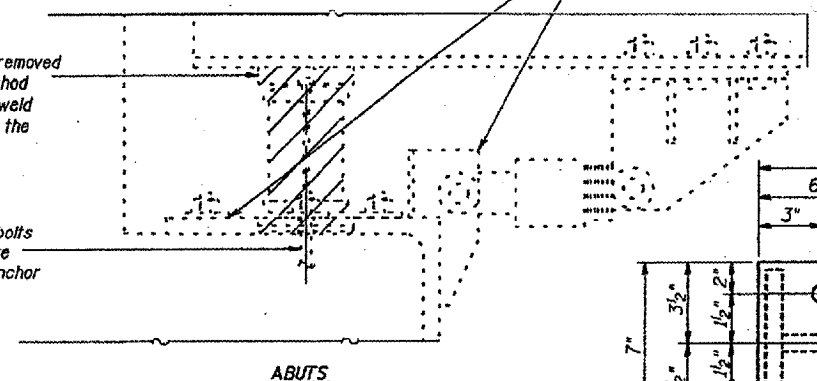


Notes: See sheet 132 for Anchor Bolt installation.

Existing Seismic Lock-up Devices at beams #8 and #11 to remain in place

Existing Plate to be removed using the air-arc method and grind smooth all weld material remaining on the bottom flange.

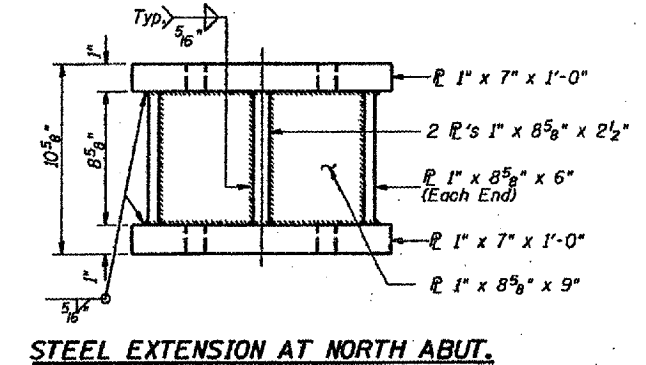
Burn the existing anchor bolts flush with existing concrete surface. Grind existing anchor bolts smooth and seal with epoxy.



Note: Shim plates shall not be placed under Bearing Assembly.

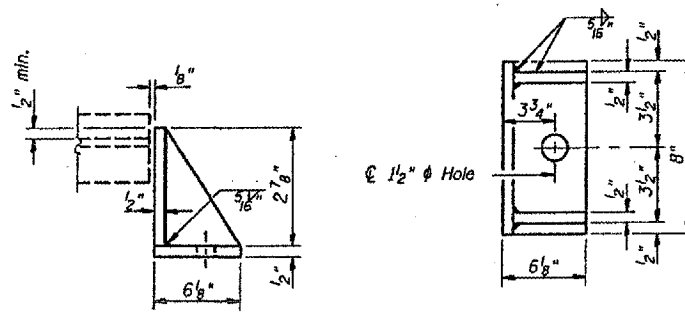
GIRDER REACTIONS

RP	(K)	11.8
RL	(K)	31.0
Imp.	(K)	9.3
R (Total)	(K)	52.1



BILL OF MATERIAL

Item	Unit	Total
Elastomeric Bearing Assembly Type 1	Each	6
Jack and Remove Existing Bearings	Each	6



Equivalent rolled angle with stiffeners will be allowed in lieu of welded plates. Weight included with Furnishing and Erecting Structural Steel.

Notes: Side retainers shall not be used with the new bearings at beams #8 and #11.

Prior to ordering any material, the Contractor shall verify in the field all bearing height and shim thickness dimensions. The minimum jack capacity required is 30 Tons.

New steel extensions, side retainers, connection bolts, anchor bolts, and shim plates are included in "Furnishing and Erecting Structural Steel".

Hatched areas indicate Jack and Remove Existing Bearings. Existing diaphragm removal may be required to provide clearance for the drill during drilling holes in the bottom flange for new bearing attachment. Cost shall be included in the cost of "Furnishing and Erecting Structural Steel".

DESIGNED:	MAS
CHECKED:	MAS
DRAWN:	JB
CHECKED:	MAS

BRIDGE NO. 2
S.N. 044-0042
FOR INFORMATION ONLY

NORTH ABUTMENT
TYPE I ELASTOMERIC BEARING
JOHNSON COUNTY
S.N. 044-0042 (W.B.)