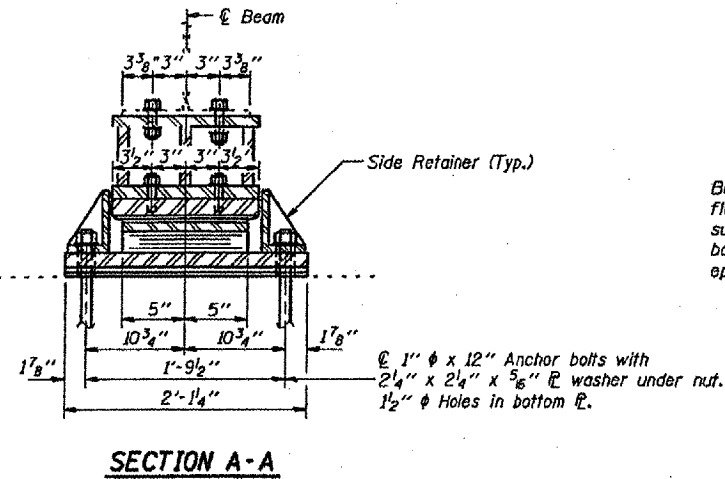
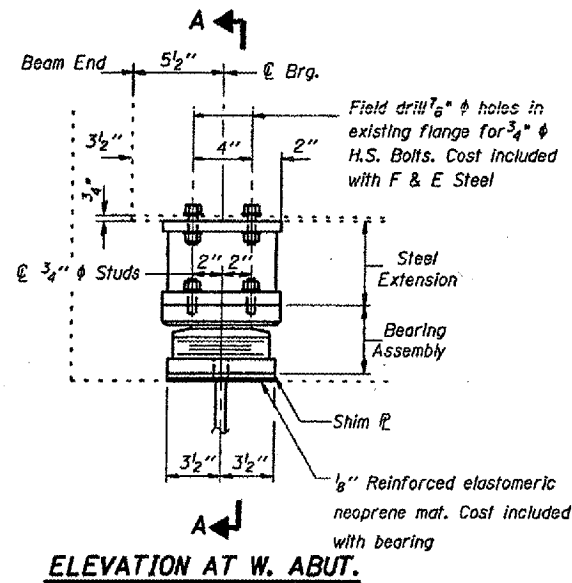


STATE OF ILLINOIS  
DEPARTMENT OF TRANSPORTATION

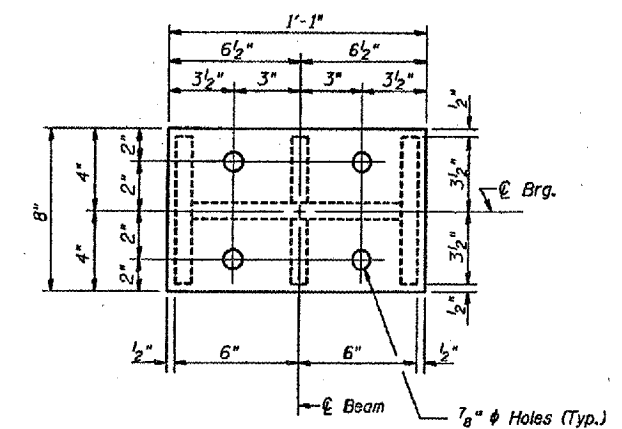
FAI 24  
D9 BRIDGE PAINTING FY 08-1  
JOHNSON & WILLIAMSON COUNTIES  
CONTRACT 78020  
SHEET 19 OF 35



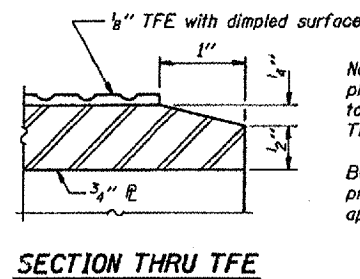
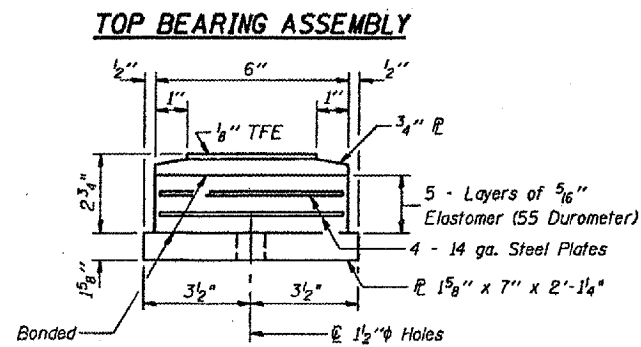
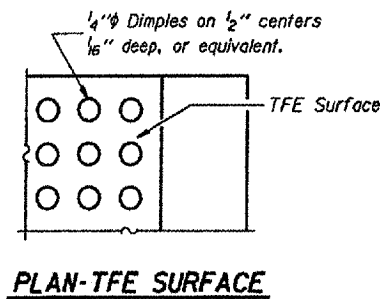
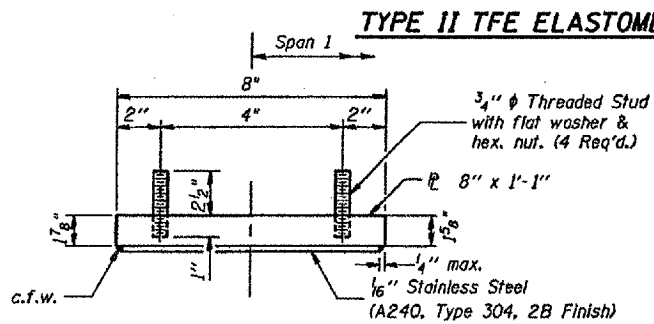
Existing Plate to be removed using the air-arc method and grind smooth all weld material remaining on the bottom flange.

Burn the existing anchor bolts flush with existing concrete surface. Grind existing anchor bolts smooth and seal with epoxy.

**EXISTING BEARING REMOVAL DETAILS**  
Cost Is Included with Jack and Remove Existing Bearings



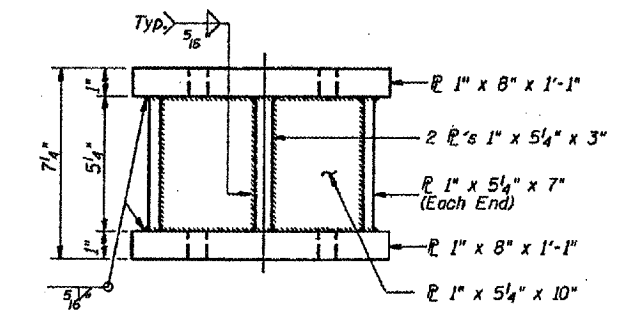
Notes: Diaphragm removal and replacement may be required to facilitate drilling holes. Cost shall be included in the cost of Furnishing and Erecting Structural Steel.  
New steel extensions, side retainers, shim P's, connection bolts and anchor bolts are included in Furnishing and Erecting Structural Steel.  
See Sheet 150 for Anchor Bolt Installation.  
Prior to ordering any material, the Contractor shall verify in the field all bearing height and shim thickness dimensions. The minimum jack capacity required is 30 Tons.



Note: The 1/8" TFE sheet shall be bonded directly to the top steel plate with a two-component, medium viscosity epoxy resin, conforming to the requirements of the Federal Specification MMM-A-134, Type I. The bond agent shall be applied on the full area of the contact surfaces.  
Bonding of 1/8" TFE sheet during vulcanizing process will be permitted provided the process and method of adjusting assembly height is approved by the Engineer.

**GIRDER REACTIONS**

RP	(K)	12.6
Rt	(K)	33.2
Imp.	(K)	10.0
R (Total)	(K)	55.8

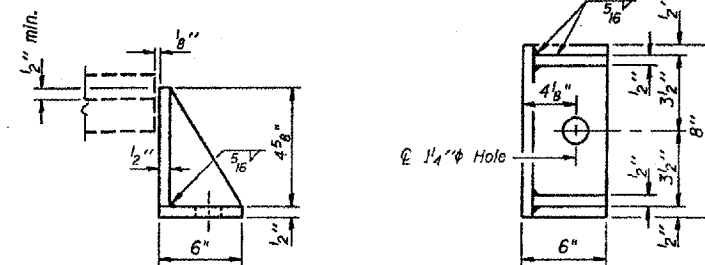


**STEEL EXTENSION AT WEST ABUT.**

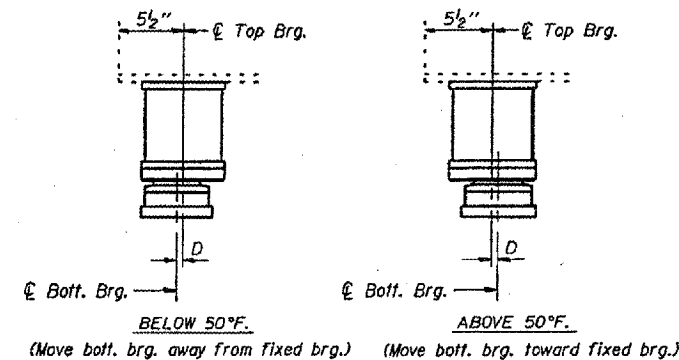
**BILL OF MATERIAL**

Item	Unit	Total
Elastomeric Bearing Assembly Type II	Each	6
Jack and Remove Existing Bearings	Each	6

DESIGNED:	MAS
CHECKED:	MAS
DRAWN:	JMB
CHECKED:	MAS



Equivalent rolled angle with stiffeners will be allowed in lieu of welded plates.



D=1/8" per each 100' of expansion for every 15° temp. change from the normal temp. of 50°F.

**WEST ABUTMENT  
TYPE II ELASTOMERIC BEARING  
JOHNSON COUNTY  
S.N. 044-0049 (E.B.)**