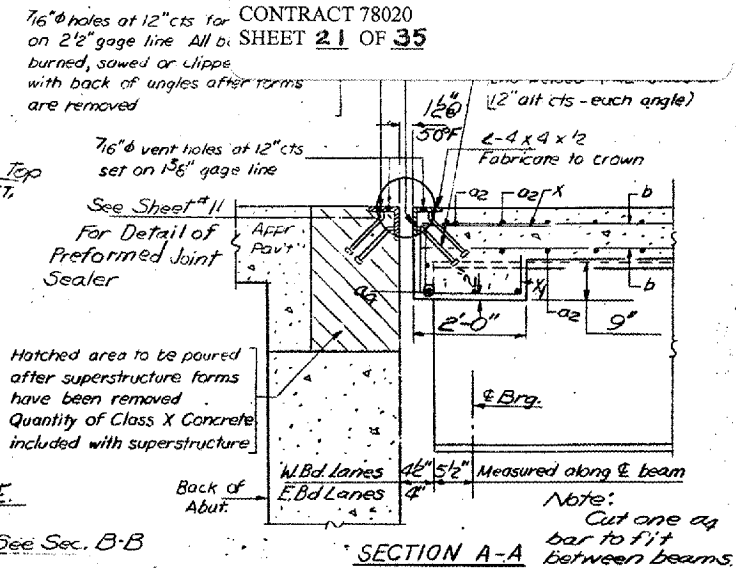
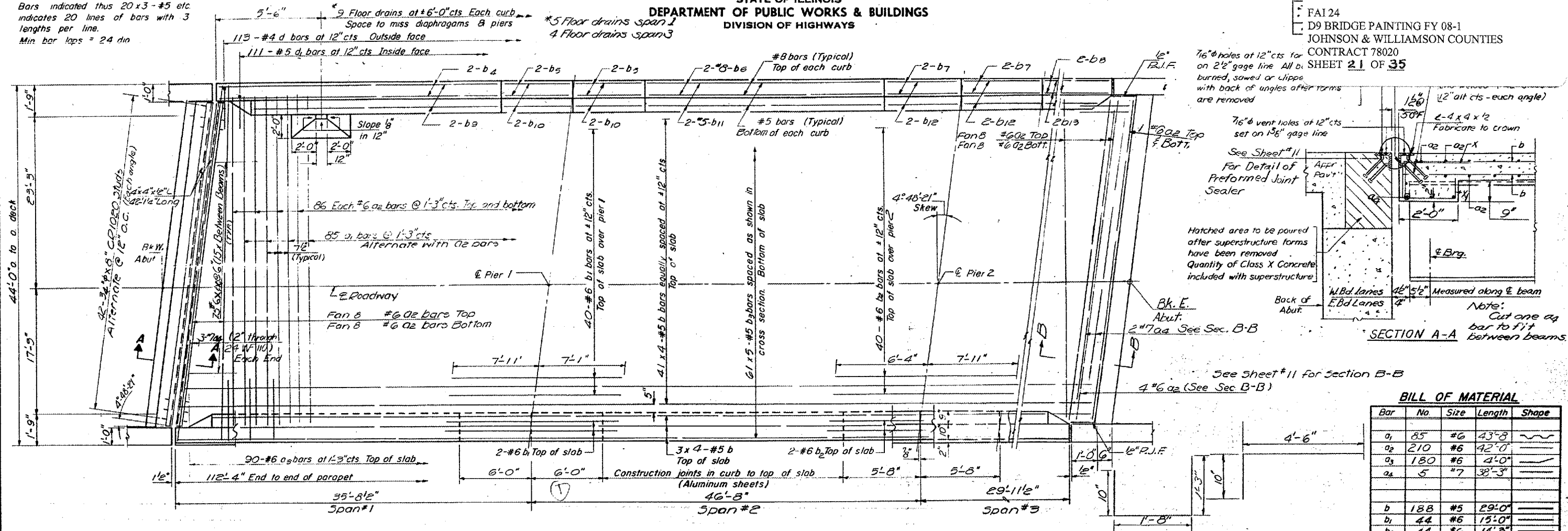


STATE OF ILLINOIS  
DEPARTMENT OF PUBLIC WORKS & BUILDINGS  
DIVISION OF HIGHWAYS

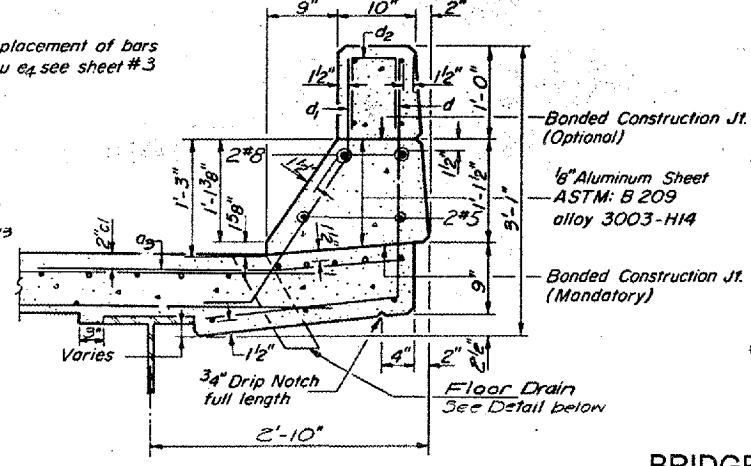
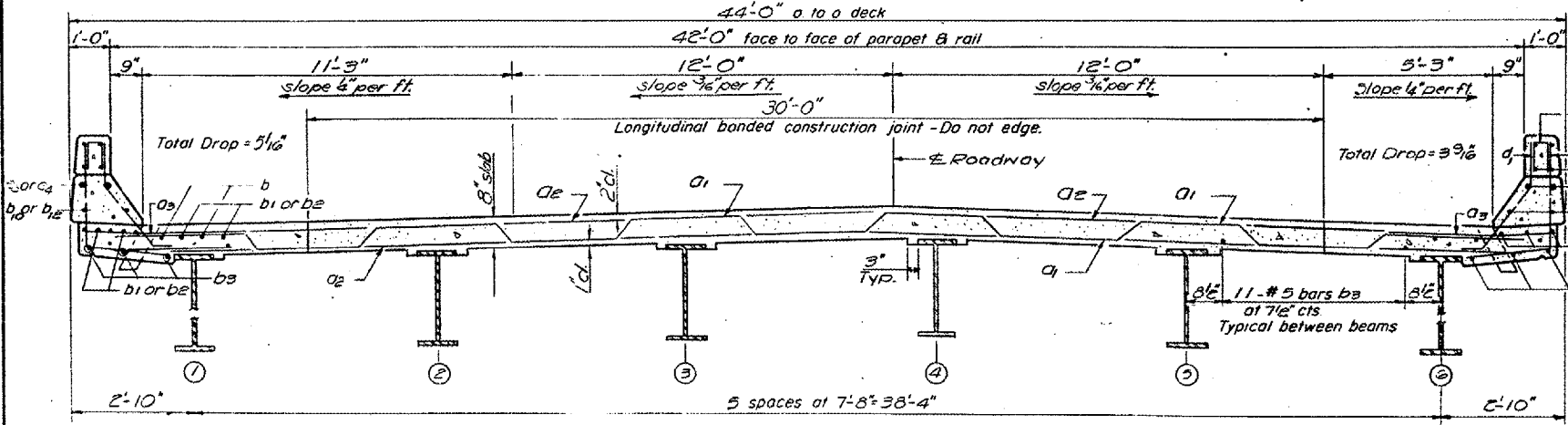
FAI 24  
D9 BRIDGE PAINTING FY 08-1  
JOHNSON & WILLIAMSON COUNTIES  
CONTRACT 78020  
SHEET 21 OF 35

Note  
Bars indicated thus 20x3-#5 etc  
indicates 20 lines of bars with 3  
lengths per line.  
Min bar laps = 24 dia



BILL OF MATERIAL

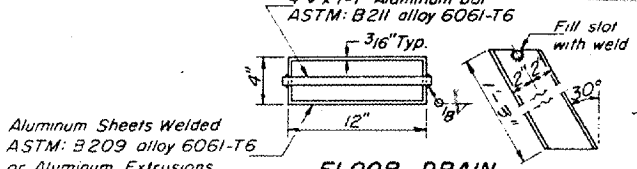
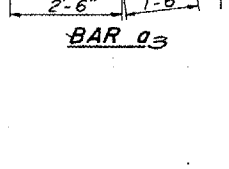
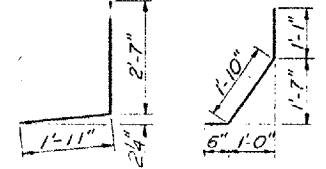
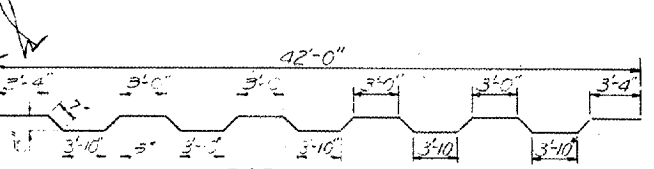
Bar	No.	Size	Length	Shape
a <sub>1</sub>	85	#6	43'-8"	~
a <sub>2</sub>	210	#6	42'-0"	~
a <sub>3</sub>	180	#6	4'-0"	~
a <sub>4</sub>	5	#7	38'-3"	~
b	188	#5	29'-0"	~
b <sub>1</sub>	44	#6	15'-0"	~
b <sub>2</sub>	44	#6	14'-3"	~
b <sub>3</sub>	305	#5	23'-6"	~
b <sub>4</sub>	4	#8	29'-0"	~
b <sub>5</sub>	8	#8	5'-9"	~
b <sub>6</sub>	4	#8	34'-6"	~
b <sub>7</sub>	4	#8	5'-0"	~
b <sub>8</sub>	4	#8	24'-0"	~
b <sub>9</sub>	4	#5	29'-6"	~
b <sub>10</sub>	8	#5	5'-9"	~
d <sub>11</sub>	4	#5	34'-6"	~
b <sub>12</sub>	8	#5	5'-6"	~
b <sub>13</sub>	4	#5	24'-0"	~
d	226	#4	4'-6"	~
d <sub>1</sub>	222	#5	3'-5"	~
x	75	#6	5'-4"	~
x <sub>1</sub>	75	#6	4'-2"	~
Reinforcement Bars		Lbs.	39,580	
Structural Steel		Lbs.	Lump Sum	
Class X Concrete		Cu Yds.	152.2	



BRIDGE NO. 4  
S.N. 044-0050  
FOR INFORMATION ONLY

DESIGNED: J. M. Patel  
CHECKED: J. M. Patel  
DRAWN: J. Sutherland  
CHECKED: J. M. P.

EXAMINED: [Signature]  
PASSED: [Signature]  
APPROVED: [Signature]



quantities. See sheet 3  
SUPERSTRUCTURE  
WEST BOUND LANES  
FAI.R.T.24 SEC.44-GHB-1  
JOHNSON COUNTY  
STA. 620+29.36 (N.B.L.)

Aluminum Sheets Welded  
ASTM: B209 alloy 6061-T6  
or Aluminum Extrusions  
ASTM: B221 alloy 6061-T6