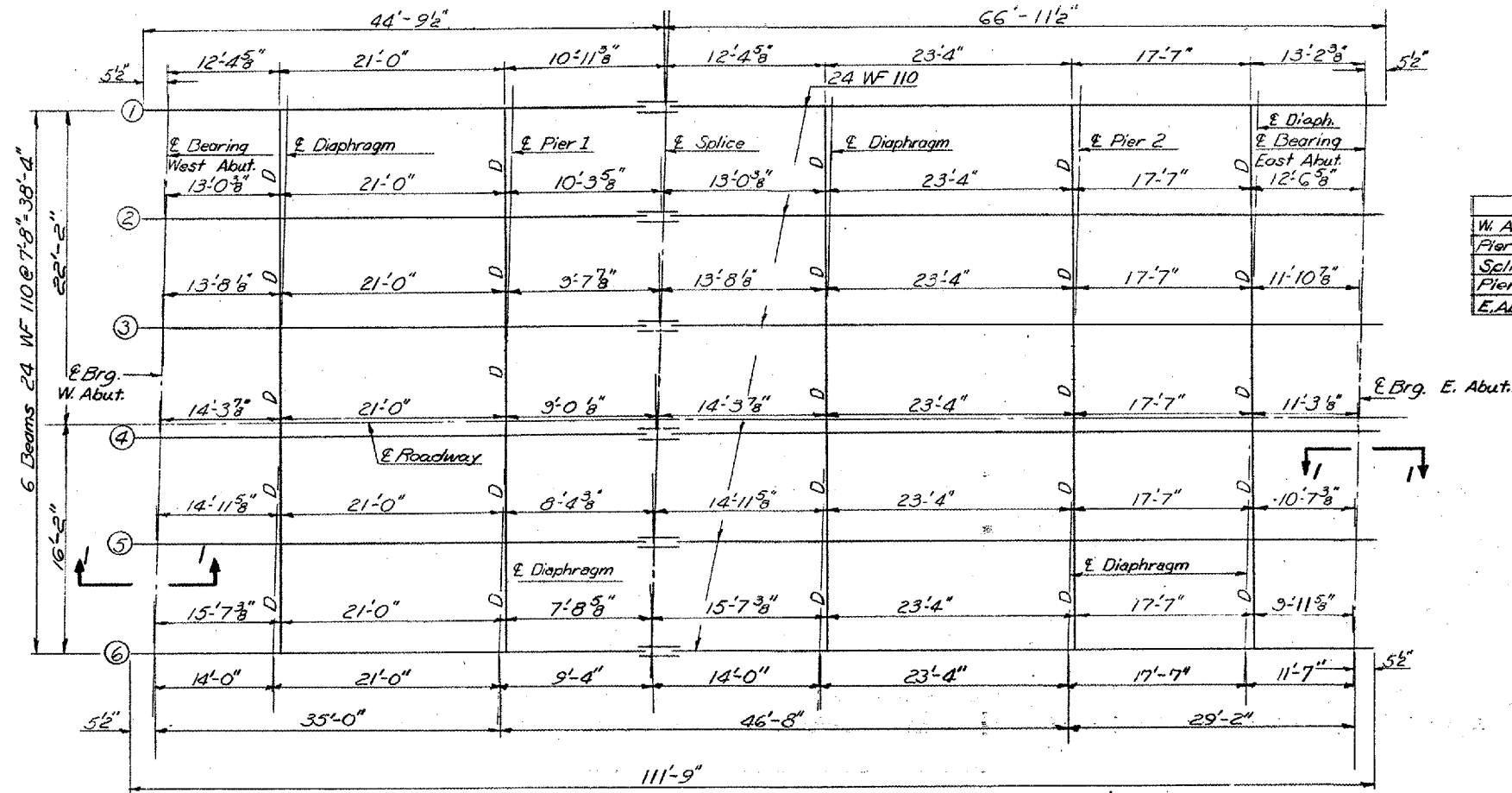


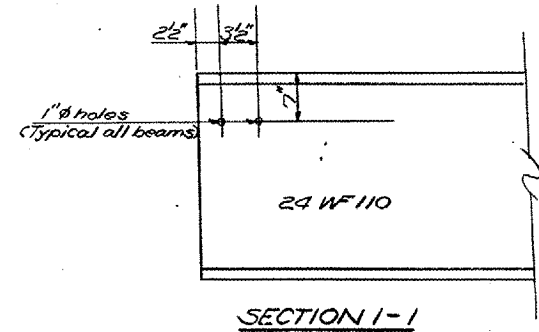
STATE OF ILLINOIS  
DEPARTMENT OF PUBLIC WORKS & BUILDINGS  
DIVISION OF HIGHWAYS

FAI 24  
D9 BRIDGE PAINTING FY 08-1  
JOHNSON & WILLIAMSON COUNTIES  
CONTRACT 78020  
SHEET 22 OF 35

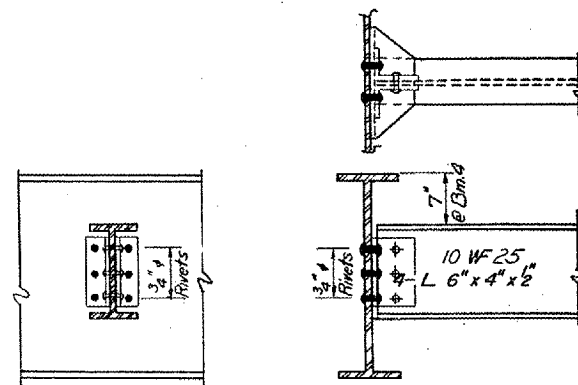


TOP OF BEAM ELEVATION

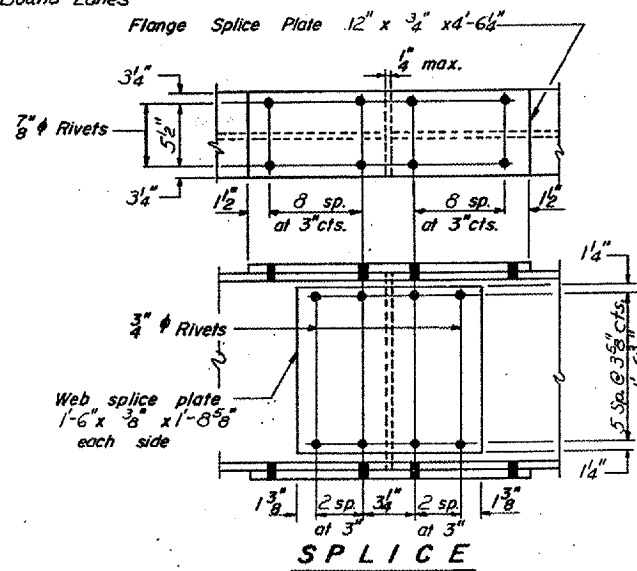
	1	2	3	4	5	6
W. Abut.	537.55	537.73	537.88	537.99	537.89	537.77
Pier #1	536.48	536.65	536.81	536.92	536.82	536.70
Splice	536.19	536.37	536.52	536.63	536.53	536.41
Pier #2	535.13	535.31	535.46	535.57	535.47	535.35
E. Abut.	534.30	534.48	534.63	534.74	534.64	534.52



FRAMING PLAN  
West Bound Lanes



DIAPHRAGM D  
25 Required



DESIGNED *[Signature]*  
CHECKED J. M. Patel  
DRAWN J. Schneller  
CHECKED J. M. P.

EXAMINED *[Signature]*  
PASSED  
APPROVED

BRIDGE NO. 4  
S.N. 044-0050  
FOR INFORMATION ONLY

STRUCTURAL STEEL LAYOUT  
WEST BOUND LANES  
F.A.I. RT. 24 SEC. - 44-6HB-1  
JOHNSON COUNTY  
STATION 620+29.36 (W.B.)