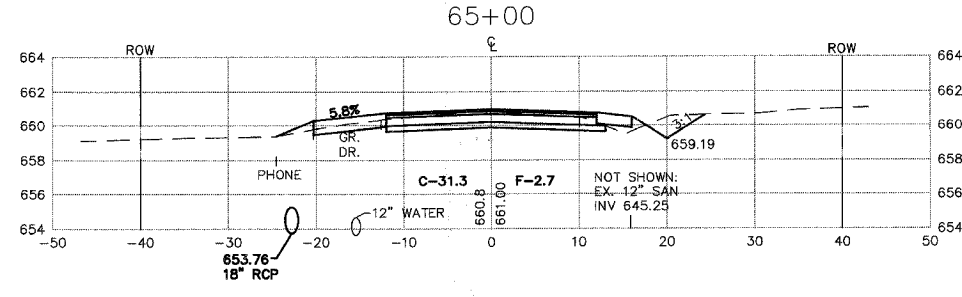
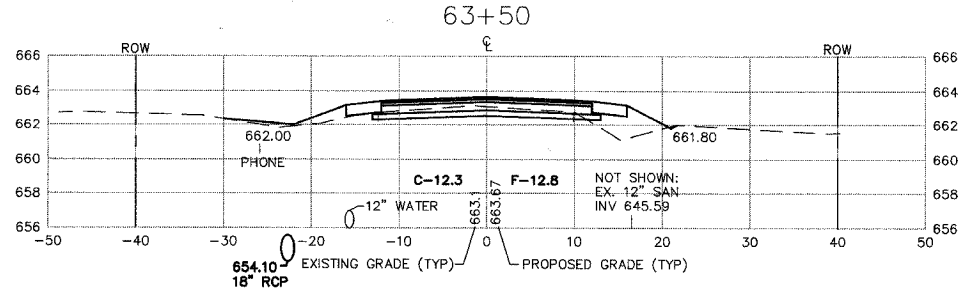
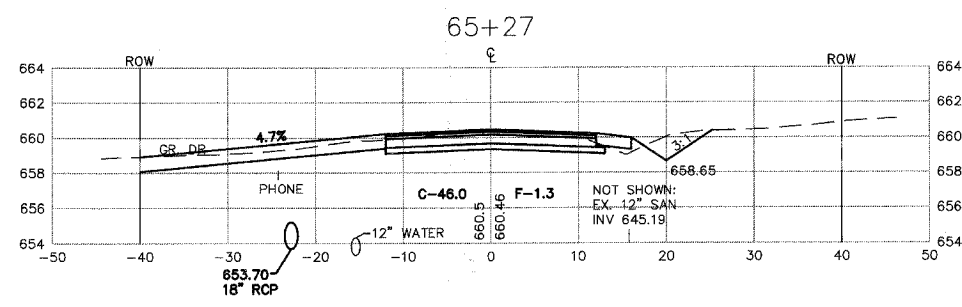
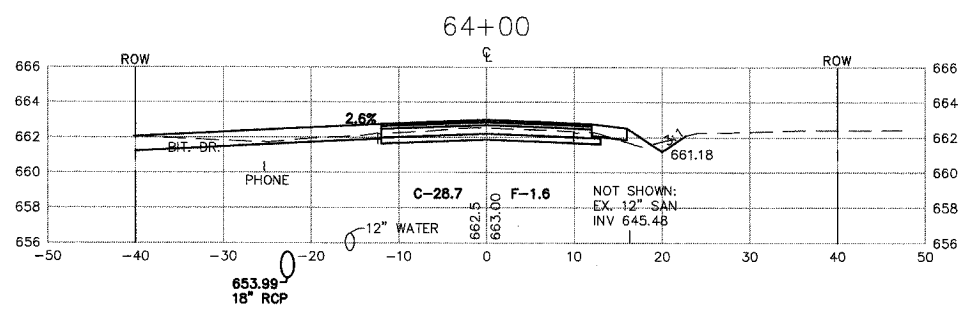
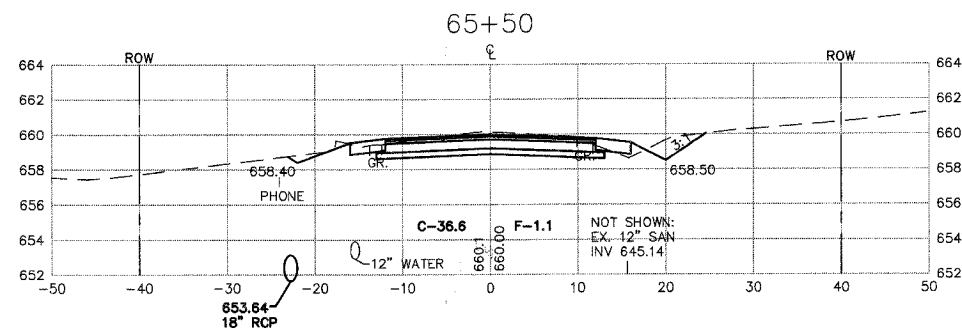
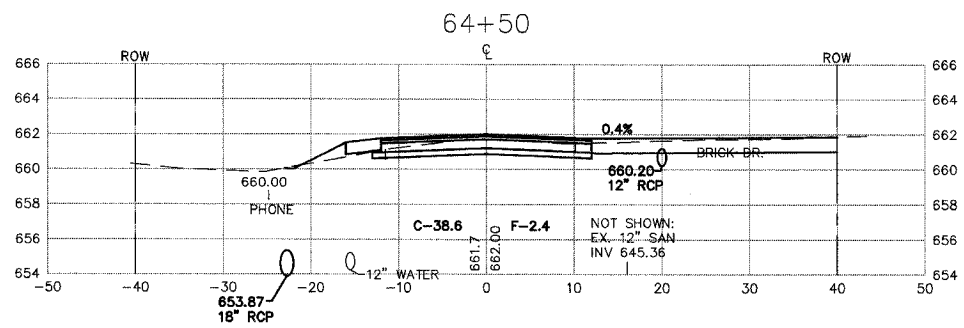
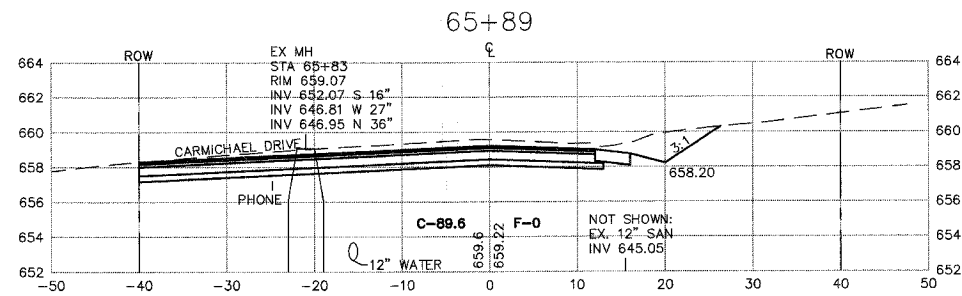
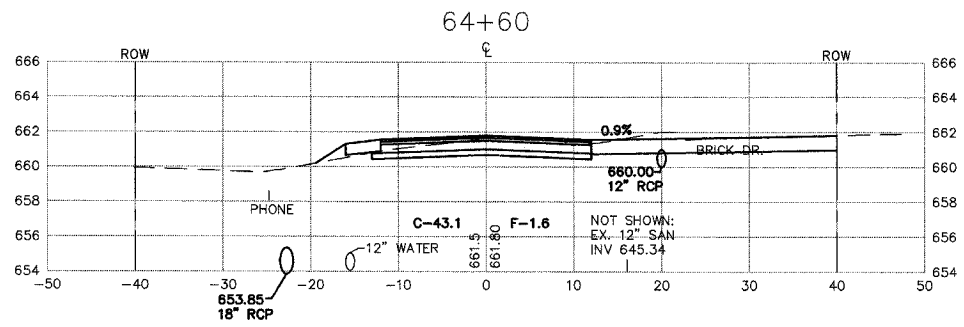
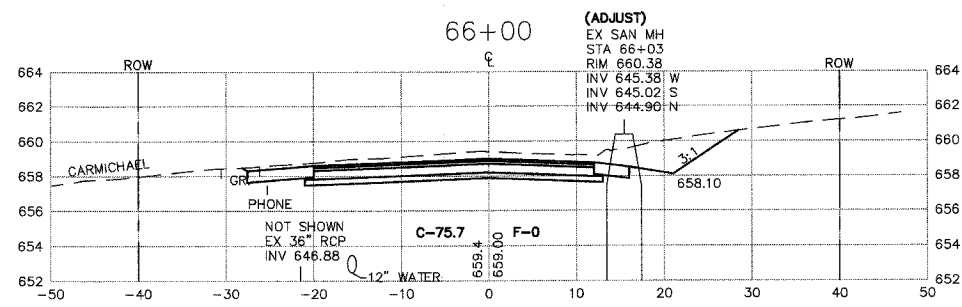
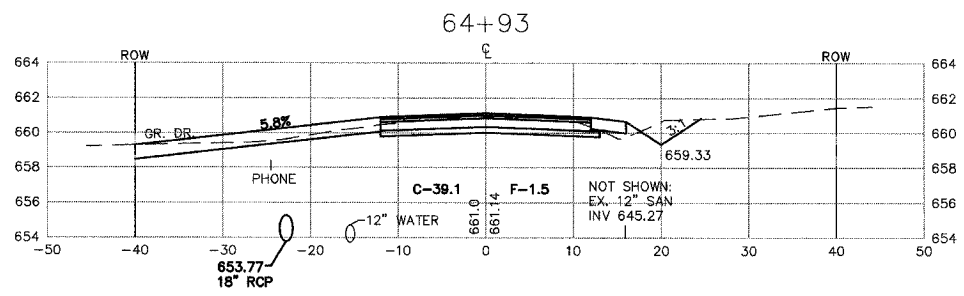


FAU RTE.	SECTION	COUNTY	TOTAL SHEETS	SHEET NO.
3791	02-00037-00-WR	COOK	40	28
F.H.W.A. REG.	ILLINOIS	PROJECT:		

83957



MORRIS ENGINEERING, INC.

5100 LINCOLN AVE LISLE, ILLINOIS 60532
 PHONE: (630)271-0770 WEBSITE: ECIVIL.COM
 LOCATION: H:\04-PH\3003\PLANS-ENG\REV-3\dwg\SHEET-XSECS.dwg
 DRAWN BY : CJS DESIGN BY: RAC CHECKED BY: JVV
 JOB NO. : 04-PH-3003 SCALE: 1"=10' H 1"=5' V

76TH AVENUE RECONSTRUCTION 127TH STREET TO ILLINOIS ROUTE 83 CROSS SECTIONS STA. 63+50 TO STA. 66+00

DATE	REVISIONS	BY	SHEET
1 5-09-07	PER IDOT REVIEW	RAC	28 OF 40 SHEETS
2 5-24-07	PER IDOT REVIEW	RAC	
3 9-04-07	PER IDOT REVIEW	RAC	
4			

PLOT DATE: SEP 05, 2007
 FILENAME: I:\04-PH\3003\PLANS-ENG\REV-3\dwg\SHEET-XSECS.dwg