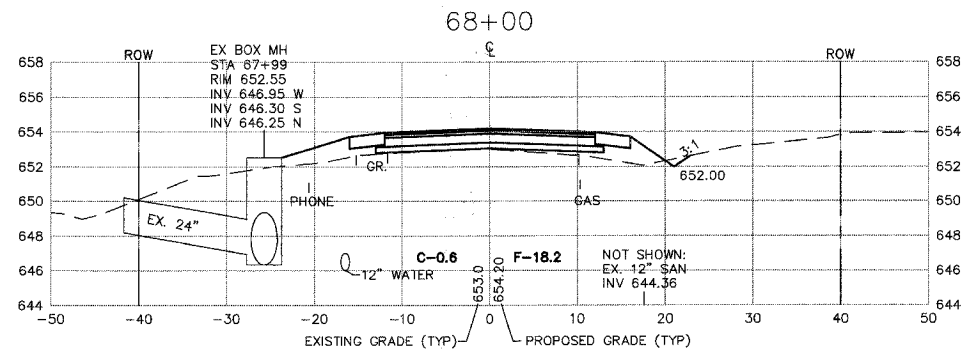
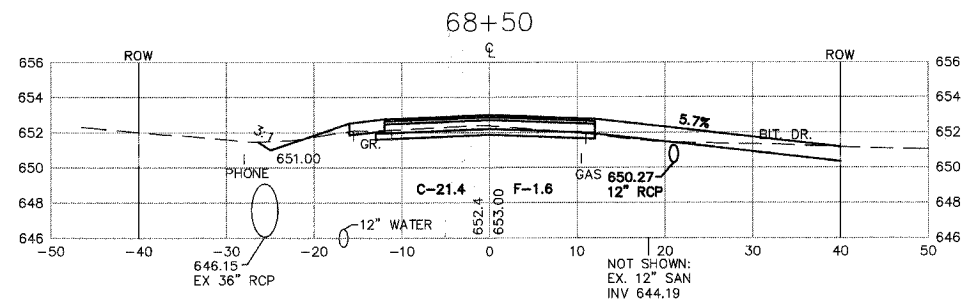
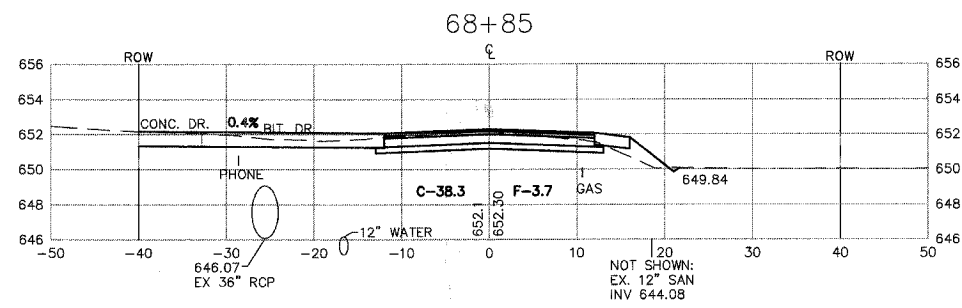
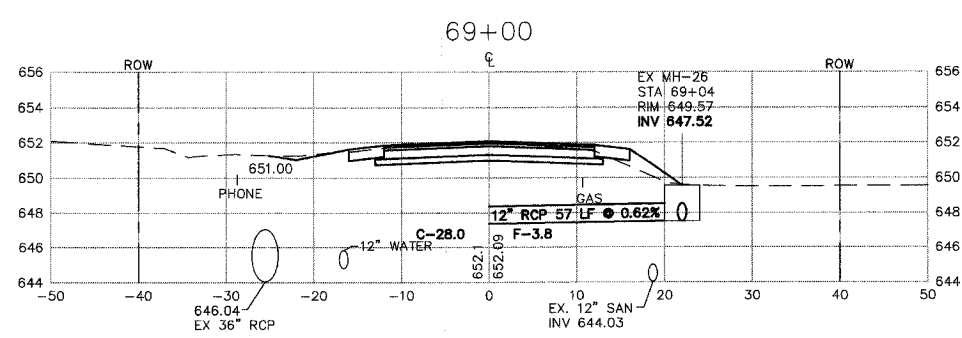
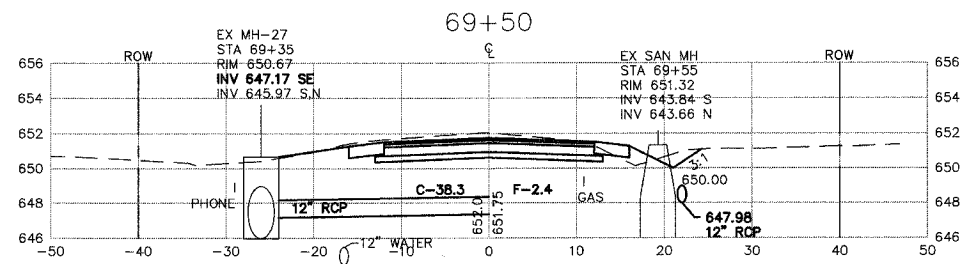
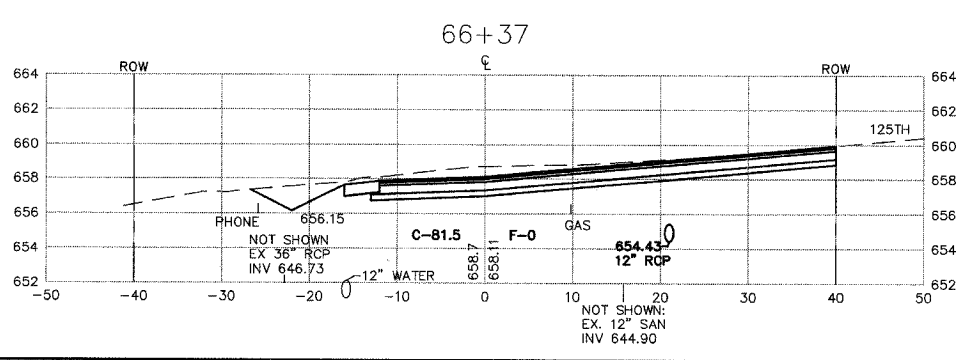
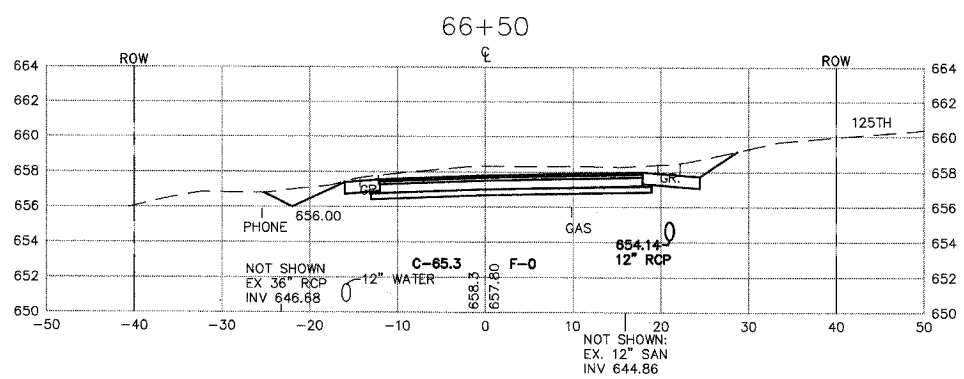
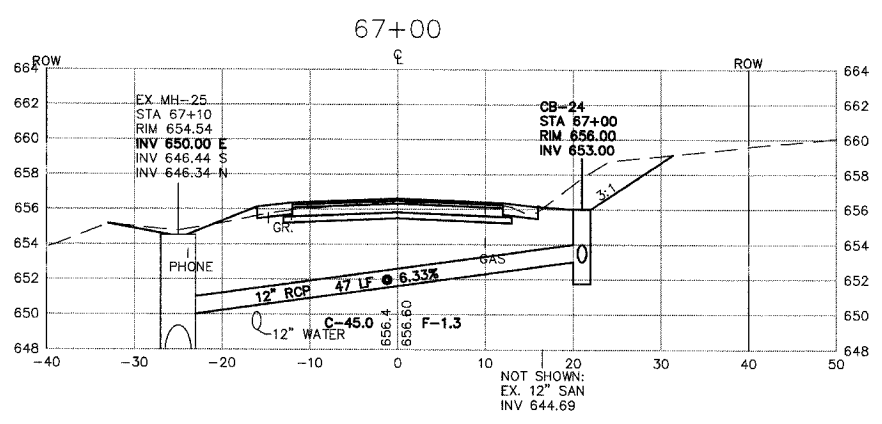
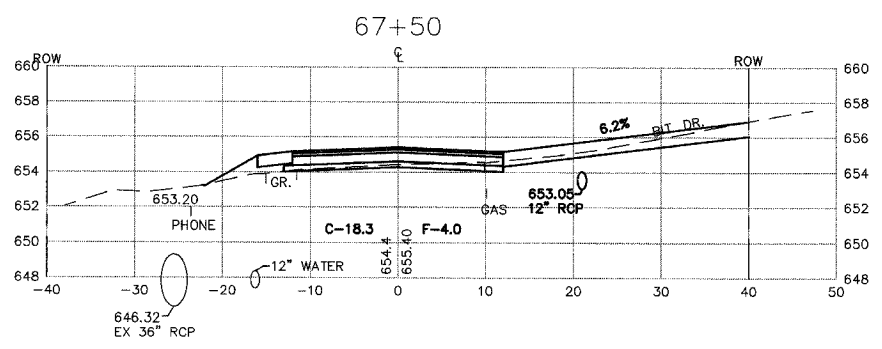


FAU RTE.	SECTION	COUNTY	TOTAL SHEETS	SHEET NO.
3791	02-00037-00-WR	COOK	40	29
F.H.W.A. REG.	ILLINOIS	PROJECT:		
83957				



MORRIS ENGINEERING, INC.
 5100 LINCOLN AVE LISLE, ILLINOIS 60532
 PHONE: (630)271-0770 • WEBSITE: ECIVIL.COM
 LOCATION: H:\04-PH\3003\PLANS-ENG\REV-3\dwg\SHEET-XSECS.dwg
 DRAWN BY: CJS DESIGN BY: RAC CHECKED BY: JJV
 JOB NO.: 04-PH-3003 SCALE: 1"=10' H 1"=5' V

**76TH AVENUE RECONSTRUCTION
 127TH STREET TO ILLINOIS ROUTE 83**

**CROSS SECTIONS
 STA. 66+37 TO STA. 69+50**

DATE	REVISIONS	BY	SHEET
1 5-09-07	PER IDOT REVIEW	RAC	29 OF 40 SHEETS
2 5-24-07	PER IDOT REVIEW	RAC	
3 9-04-07	PER IDOT REVIEW	RAC	
4			

PLOT DATE: Sep 05, 2007
 FILENAME: H:\04-PH\3003\PLANS-ENG\REV-3\dwg\SHEET-XSECS.dwg