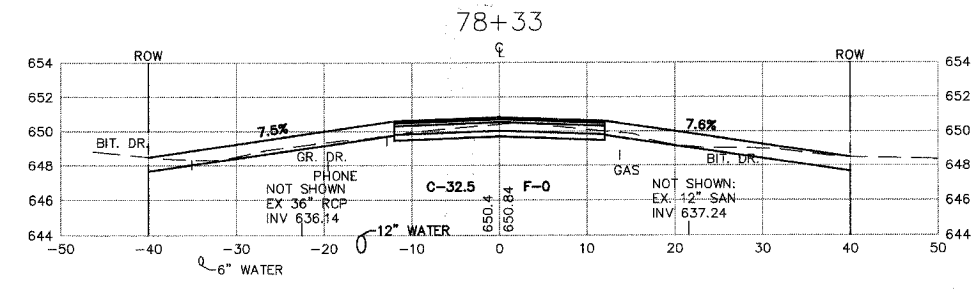
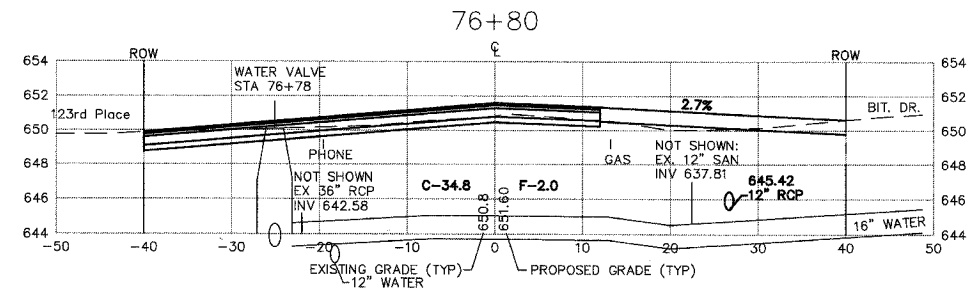
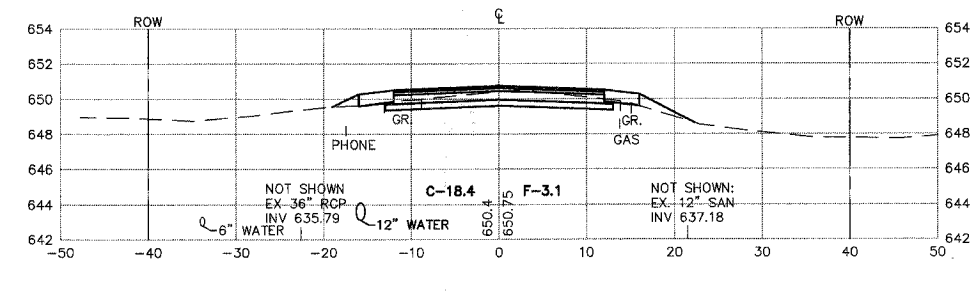
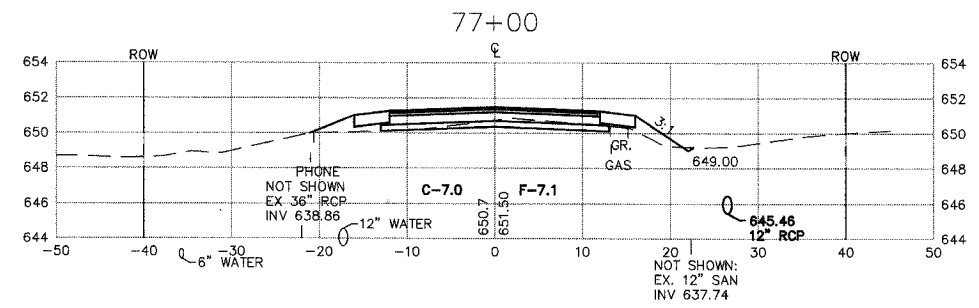
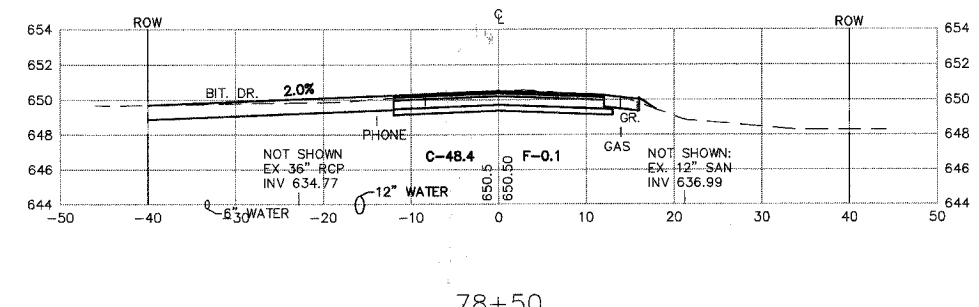
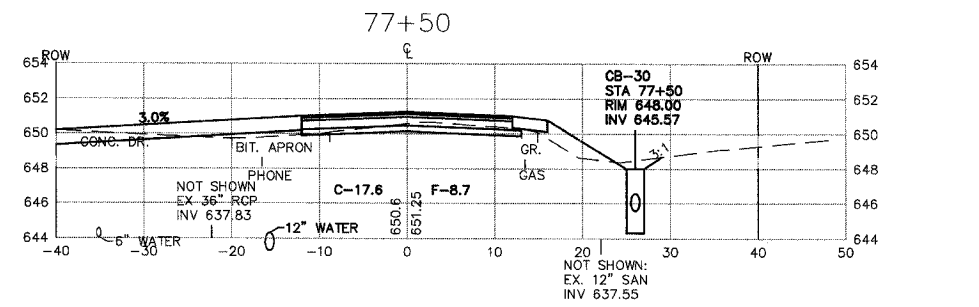
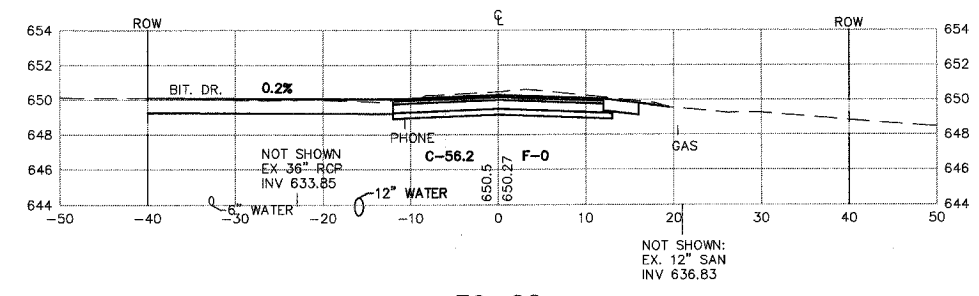
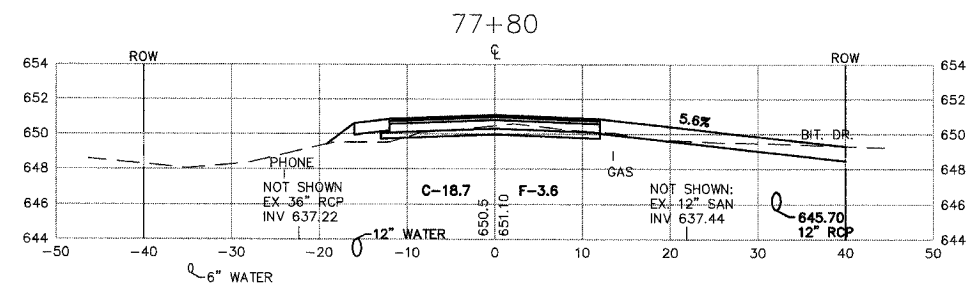
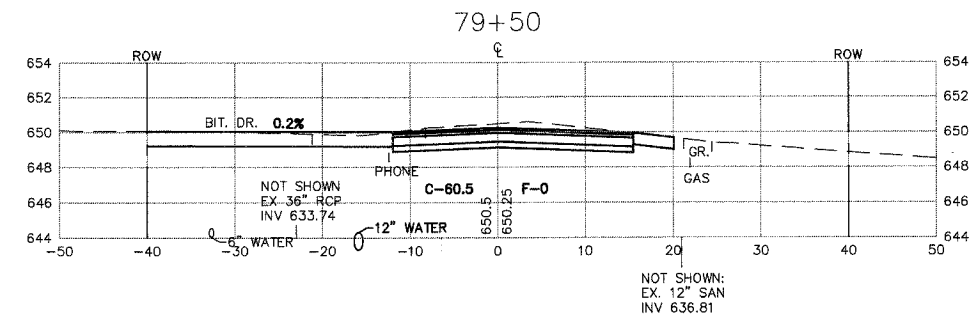
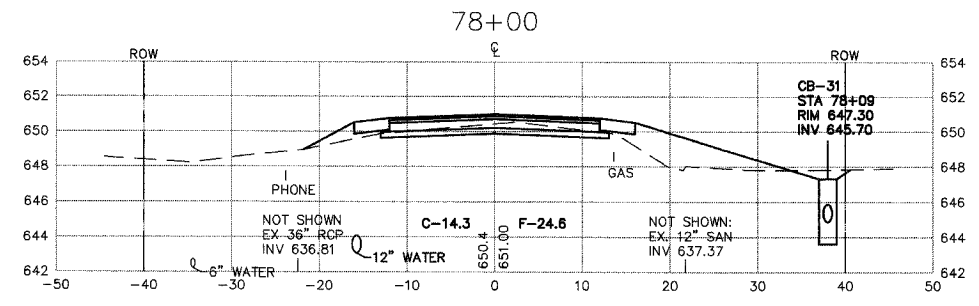


FAU RTE.	SECTION	COUNTY	TOTAL SHEETS	SHEET NO.
3791	02-00037-00-WR	COOK	40	32
F.H.W.A. REG.	ILLINOIS	PROJECT:		
83957				



PLOT DATE: SEP 05, 2007
 FILENAME: I:\PH-3003\PLANS-ENG\REV-3\DWG\SHEET-XSECS.dwg

MORRIS ENGINEERING, INC.

5100 LINCOLN AVE LISLE, ILLINOIS 60532
 PHONE: (630)271-0770 WEBSITE: ECIVIL.COM

LOCATION: H:\04-PH-3003\PLANS-ENG\REV-3\DWG\SHEET-XSECS.dwg
 DRAWN BY: CJS DESIGN BY: RAC CHECKED BY: JJV
 JOB NO.: 04-PH-3003 SCALE: 1"=10' H 1"=5' V

76TH AVENUE RECONSTRUCTION 127TH STREET TO ILLINOIS ROUTE 83

CROSS SECTIONS STA. 76+80 TO STA. 79+50

DATE	REVISIONS	BY	SHEET
1	5-09-07	PER IDOT REVIEW	RAC
2	5-24-07	PER IDOT REVIEW	RAC
3	9-04-07	PER IDOT REVIEW	RAC
4			

32
OF 40 SHEETS