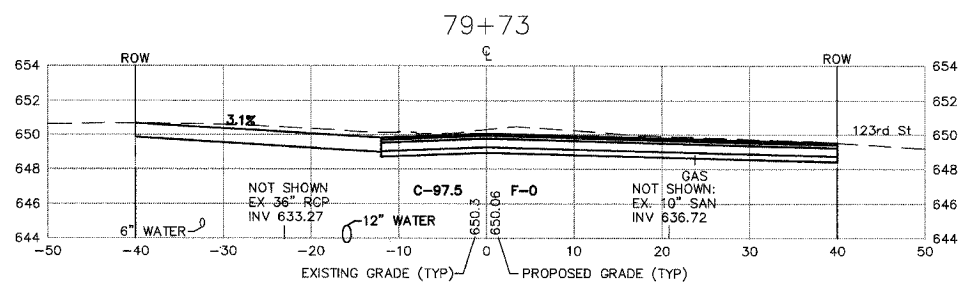
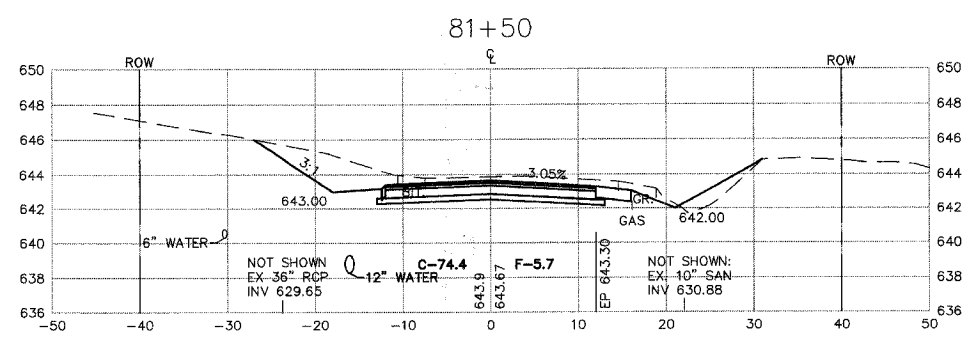
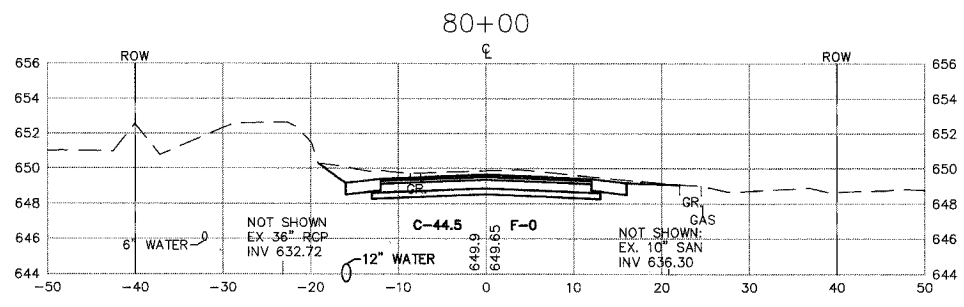
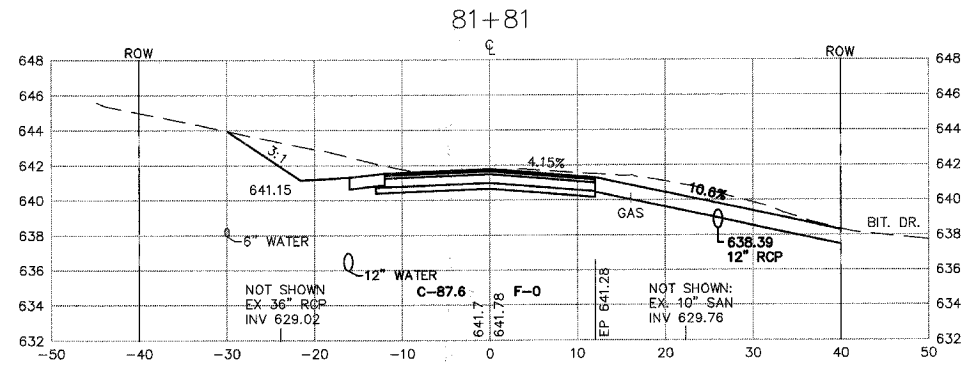
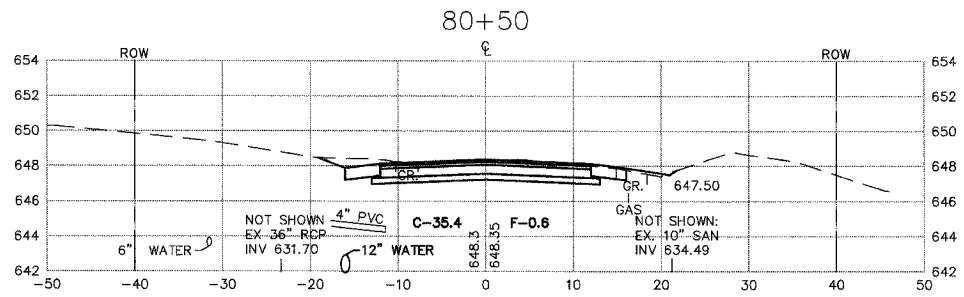
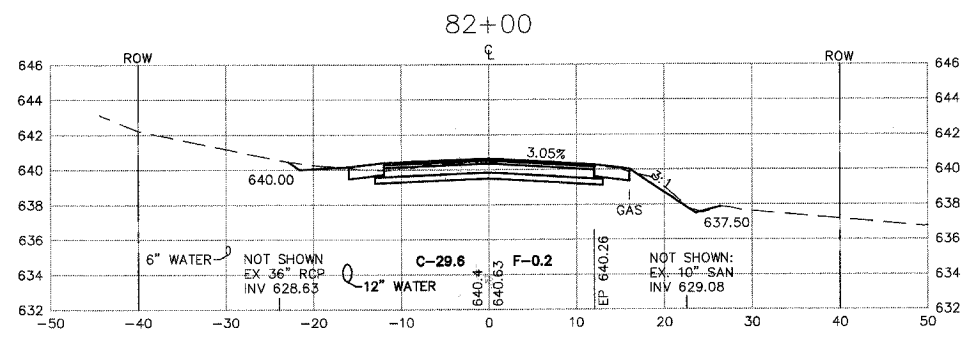
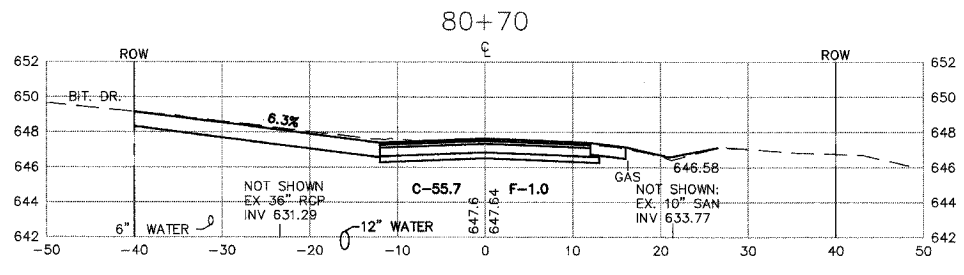
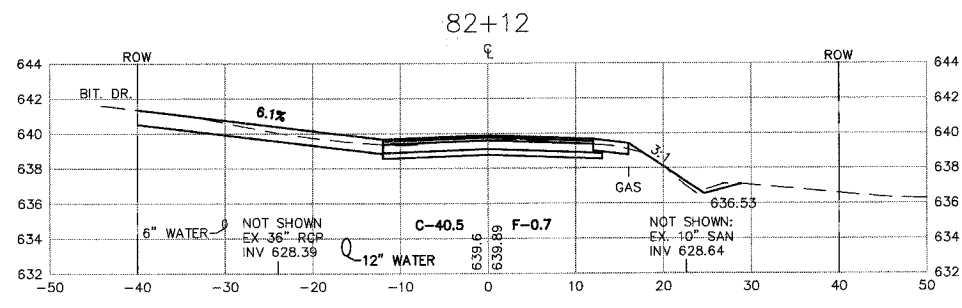
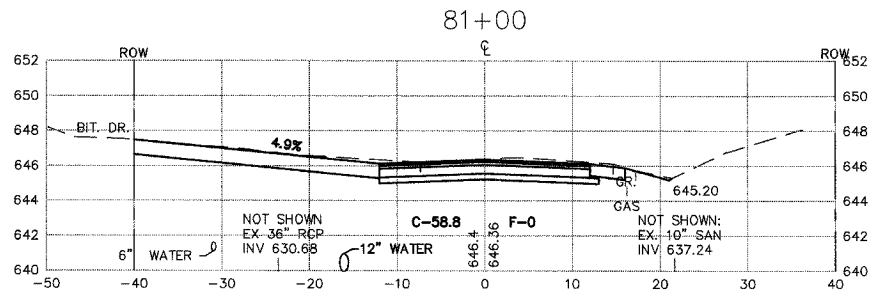


FAU RTE.	SECTION	COUNTY	TOTAL SHEETS	SHEET NO.
3791	02-00037-00-WR	COOK	40	33
F.H.W.A. REG.	ILLINOIS	PROJECT:		



**MORRIS ENGINEERING, INC.**

5100 LINCOLN AVE Lisle, ILLINOIS 60532  
 PHONE: (630)271-0770 WEBSITE: ECIVIL.COM  
 LOCATION: H:\04-PH\3003\PLANS-ENG\REV-3\dwg\SHEET-XSECS.dwg  
 DRAWN BY: CJS DESIGN BY: RAC CHECKED BY: JVV  
 JOB NO.: 04-PH-3003 SCALE: 1"=10' H 1"=5' V

**76TH AVENUE RECONSTRUCTION  
 127TH STREET TO ILLINOIS ROUTE 83**

**CROSS SECTIONS  
 STA. 79+73 TO STA. 82+12**

DATE	REVISIONS	BY	SHEET
1	5-09-07 PER IDOT REVIEW	RAC	<b>33</b> OF 40 SHEETS
2	5-24-07 PER IDOT REVIEW	RAC	
3	9-04-07 PER IDOT REVIEW	RAC	
4			

PLOT DATE: SEP 05, 2007  
 FILENAME: H:\04-PH\3003\PLANS-ENG\REV-3\dwg\SHEET-XSECS.dwg